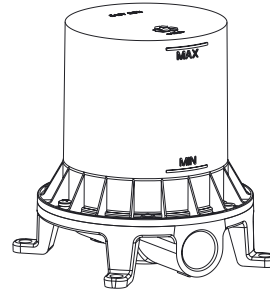


VALVE136

3/4" Rough-in Valve for
Floor Mounted Tub Filler



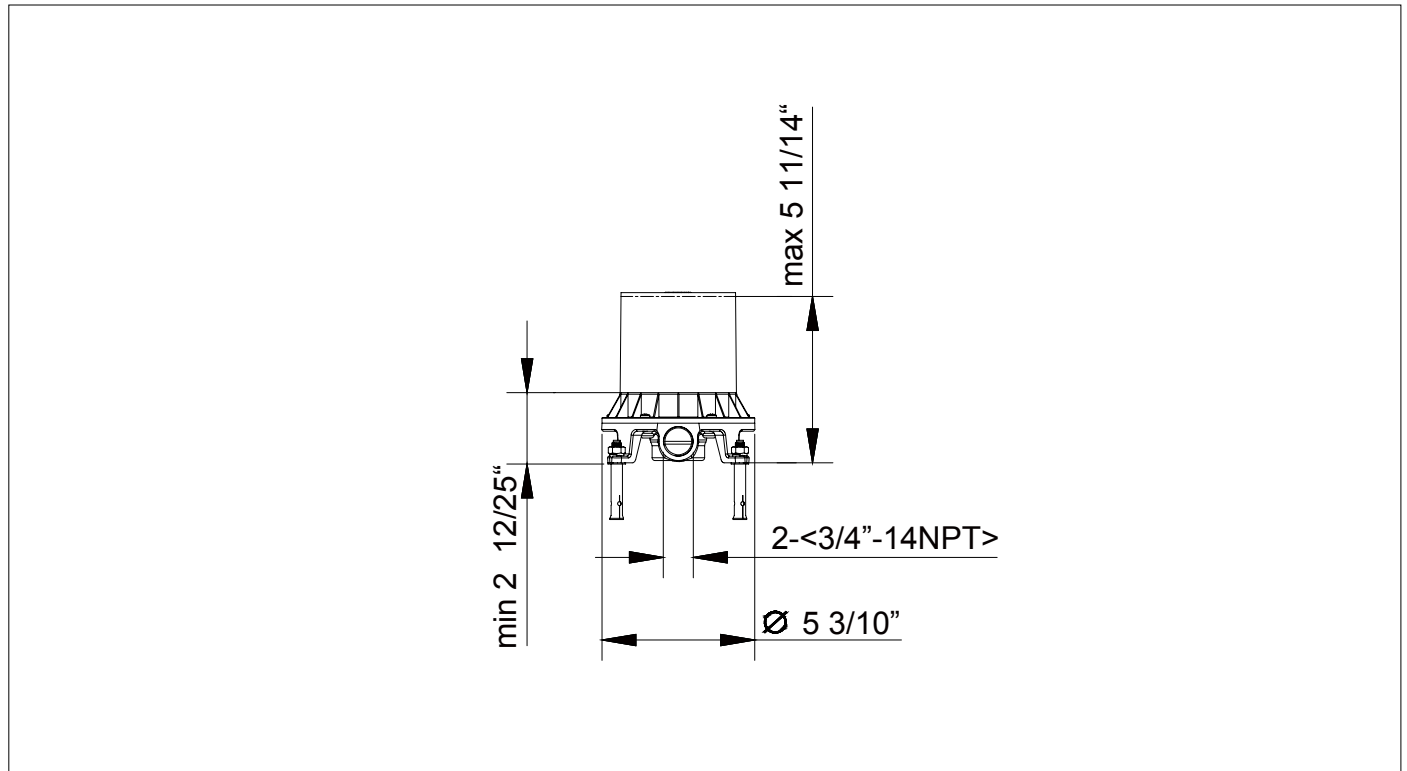
STANDARDS

- Compliant with ASME A112.18.1 B125.1

FEATURES

- Solid Brass Construction
- 3/4" NPT connections
- Fixing kit included
- Step-By-Step Installation Instructions
- Limited Lifetime Warranty

DIMENSIONS



Project _____
Contractor _____