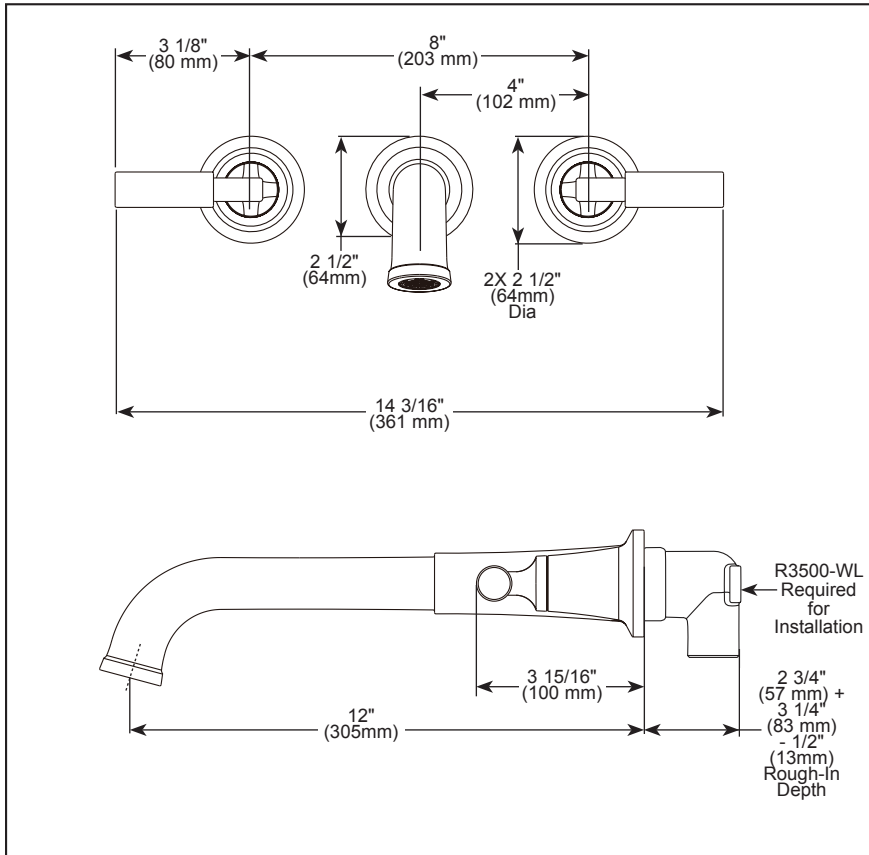


T5748-▲WL

Submitted Model No.: \_\_\_\_\_

Specific Features: \_\_\_\_\_



▲ Designate proper finish suffix



see what Delta can do™

## WALL MOUNT TUB FILLER

■ Bowery™ Collection


### STANDARD SPECIFICATIONS:

- Three hole wall mount.
- Solid brass fabricated body.
- 1/4 turn stops.
- Red/blue glide rings optional, included.
- Accommodates wall thicknesses from 1/8" to 3 3/4".
- Cartridges ship with rough.
- 1/2"-14 NPT threaded female inlets.
- Rough-In R3500-WL required for installation.

### WARRANTY

- Parts and Finish - Lifetime limited warranty; or for commercial purchasers, 10 years for multi-family residential (apartments and condominiums) and 5 years for all other commercial uses, in each case from the date of purchase.
- Electronic Parts and Batteries (if applicable) - 5 years from the date of purchase; or for commercial purchasers, 1 year from the date of purchase. No warranty is provided on batteries.

### COMPLIES WITH:

- ASME A112.18.1 / CSA B125.1
-  Indicates compliance to ICC/ANSI A117.1

Delta reserves the right (1) to make changes in specifications and materials, and (2) to change or discontinue models, both without notice or obligation. Dimensions are for reference only. See current full-line price book or [www.deltafaucet.com](http://www.deltafaucet.com) for finish options and product availability.