

JONES STEPHENS' PLUMBITE® PUSH TO CONNECT BALL VALVES

Product Description

A heat-free method of joining Copper, CPVC, PE-RT or PEX tubing, designed to save time on installation and to connect piping with relative ease and confidence. No soldering, glue, heat or external tools required to join the pipe. Just insert the pipe and the stainless steel gripper ring, bite down and hold the pipe tightly which the EPDM o-ring seals against leakage. Disassembly is just as fast using the optional disassembly tool so fittings can be easily removed and re-used.

Product Features

- Push to Connect Joining Technology (no Soldering, Glue, Heat or External Tools Required)
- Suitable for Copper, PEX, PE-RT or CPVC Piping systems
- Reduced installation time and cost
- Can be disassembled and re-used
- Secure Connections and Seal with Stainless Steel Gripper Ring and EPDM O-Ring
- Ideal for Piping Systems Service and Repair
- Full offering of 1/2" to 2" for most components
- Lead Free and Robust Brass Design, Certified for Potable Water Applications
- Manufacturing process includes a final cleaning process to provide a bright and uniform surface finish

Product Specifications

- NSF/ANSI 61 - Certification that this product does not leach harmful health contaminants into drinking water
- NSF/ANSI 372 - Certification to ensure the product lead content meets public safety standards
- NSF/ANSI 14 - Certification that plastic portion of fittings meets physical, performance, health effects and quality assurance standard requirements
- ASSE 1061 - Certified to meet the IAPMO Performance Standards for Push Fittings
- UPC and cUPC - Meet Uniform Plumbing Code Requirements
- IAPMO Certified
- IAPMO/ANSI Z1157

Performance Specifications

- Maximum Temperature - 180 degrees F
- Maximum Pressure - 200 PSI
- Service: Potable Water

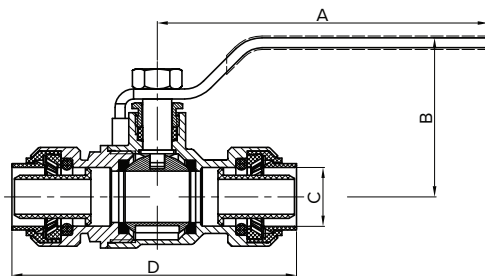
Materials

- Body - DZR Brass
- O-Ring - EPDM, Peroxide Cured
- Gripper Ring - Stainless Steel
- Disassembly Tool (optional) - POM for sizes 1" and below, Stainless Steel for sizes 1-1/4" and higher

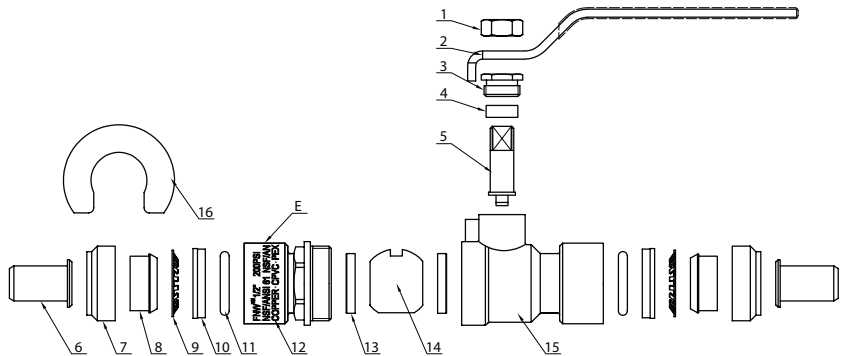


SMALL BALL VALVES

Part Number Individually Packaged	Part Number Bulk Packaged	Size	"A" (in.)	"B" (in.)	"C" Nominal (in.)	"D" (in.)	"D" Tolerance +/- (in.)
C77460LF	C76561LF	0.50	4.06	1.77	0.50	3.01	0.08
C77461LF	C76562LF	0.75	4.06	1.93	0.75	3.41	0.08
C77462LF	-	1.00	4.29	2.32	1.00	3.94	0.08

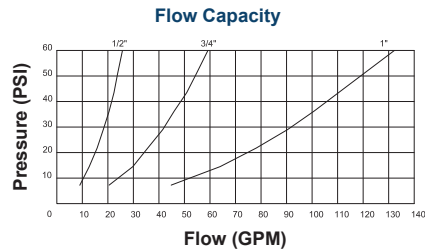


**Not for use with PEX-AL-PEX or PEX tubing with an oxygen barrier.
NOT FOR USE AT OR BELOW GROUND LEVEL.**



Standard Materials

REF. NO.	DESCRIPTION	MATERIAL	QTY
1	HANDLE NUT	STAINLESS STEEL (S201)	1
2	HANDLE	CHROME PLATED STEEL (Q235)	1
3	PACKING GLAND	BRASS (HPB58-3)	1
4	STEM PACKING	PTFE	1
5	STEM	LEAD FREE BRASS (C46500)	1
6	TUBE SUPPORT	PSU	2
7	PROTECTOR	POM	2
8	RELEASER	POM	2
9	GRIPPER RING	STAINLESS STEEL (S304)	2
10	LOCK RING	POM	2
11	O-RING	EPDM	2
12	END CAP	LEAD FREE BRASS (C46500)	1
13	SEAT SEAL	PTFE	2
14	BALL	LEAD FREE CHROME PLATED BRASS (C46500) SIZES 1/2" & 3/4"	1
15	BODY	LEAD FREE BRASS (C46500)	1
16	REMOVAL TOOL	POM	1



JONES STEPHENS' PLUMBITE® PUSH TO CONNECT BALL VALVES

Product Description

A heat-free method of joining Copper, CPVC, PE-RT or PEX tubing, designed to save time on installation and to connect piping with relative ease and confidence. No soldering, glue, heat or external tools required to join the pipe. Just insert the pipe and the stainless steel gripper ring, bite down and hold the pipe tightly which the EPDM o-ring seals against leakage. Disassembly is just as fast using the optional disassembly tool so fittings can be easily removed and re-used.

Product Features

- Push to Connect Joining Technology (no Soldering, Glue, Heat or External Tools Required)
- Suitable for Copper, PEX, PE-RT or CPVC Piping systems
- Reduced installation time and cost
- Can be disassembled and re-used
- Secure Connections and Seal with Stainless Steel Gripper Ring and EPDM O-Ring
- Ideal for Piping Systems Service and Repair
- Full offering of 1/2" to 2" for most components
- Lead Free and Robust Brass Design, Certified for Potable Water Applications
- Manufacturing process includes a final cleaning process to provide a bright and uniform surface finish

Product Specifications

- NSF/ANSI 61 - Certification that this product does not leach harmful health contaminants into drinking water
- NSF/ANSI 372 - Certification to ensure the product lead content meets public safety standards
- NSF/ANSI 14 - Certification that plastic portion of fittings meets physical, performance, health effects and quality assurance standard requirements
- ASSE 1061 - Certified to meet the IAPMO Performance Standards for Push Fittings
- UPC and cUPC - Meet Uniform Plumbing Code Requirements
- IAPMO Certified
- IAPMO/ANSI Z1157

Performance Specifications

- Maximum Temperature - 180 degrees F
- Maximum Pressure - 200 PSI
- Service: Potable Water

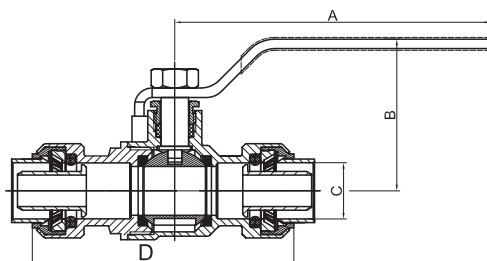
Materials

- Body - DZR Brass
- O-Ring - EPDM, Peroxide Cured
- Gripper Ring - Stainless Steel
- Disassembly Tool (optional) - POM for sizes 1" and below, Stainless Steel for Sizes 1-1/4" and higher

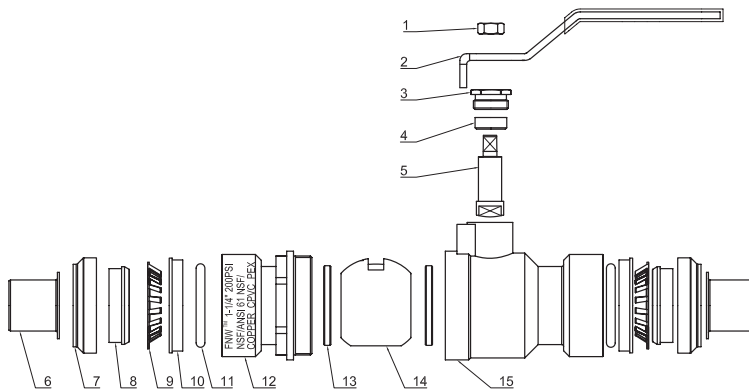


LARGE BALL VALVES

Part Number Individually Packaged	Part Number Bulk Packaged	Size	"A" (in.)	"B" (in.)	"C" Nominal	"D" (in.)	"D" Tolerance +/- (in.)
C77463LF	-	1.25	4.29	2.91	1.25	5.15	0.12
C77464LF	-	1.50	5.61	3.13	1.50	5.87	0.12
C77465LF	-	2.00	5.61	3.43	2.00	6.38	0.12



**Not for use with PEX-AL-PEX or PEX tubing with an oxygen barrier.
NOT FOR USE AT OR BELOW GROUND LEVEL.**



Standard Materials

REF. NO.	DESCRIPTION	MATERIAL	QTY
1	HANDLE NUT	STAINLESS STEEL (S201)	1
2	HANDLE	CHROME PLATED STEEL (Q235)	1
3	PACKING GLAND	BRASS (HPB58-3)	1
4	STEM PACKING	PTFE	1
5	STEM	LEAD FREE BRASS (C46500)	1
6	TUBE SUPPORT	BRASS (H62)	2
7	PROTECTOR	BRASS (HPB58-3)	2
8	RELEASER	BRASS (HPB58-3)	2
9	GRIPPER RING	STAINLESS STEEL (S304)	2
10	LOCK RING	BRASS (HPB58-3)	2
11	O-RING	EPDM	2
12	END CAP	LEAD FREE BRASS (C46500)	1
13	SEAT SEAL	PTFE	2
14	BALL	LEAD FREE CHROME PLATED BRASS (C46500) SIZES 1-1/4" & 1-1/2" ONLY STAINLESS STEEL HOLLOW BALL (S304) SIZE 2" ONLY	1
15	BODY	LEAD FREE BRASS (C46500)	1

