

# Actuator Replacement Instructions

## ⚠ WARNING

1. 120 Volts may cause serious injury from electrical shock. Sudden operation may cause serious injury from moving parts. Disconnect power while replacing actuator.
2. Sharp edges may cause serious injury from cuts. Use care when making duct openings and handling ductwork.

## ⚠ CAUTION

1. Turn off the HVAC system power before removing or installing any wires into the terminals of any component on the system. Wiring with a live circuit can lead to electrical shorts that can damage components.
2. Installation must be done in accordance with all applicable codes.
3. Improper system installation could cause water damage from frozen pipes. Check system operation after installation.

### ACTUATOR REPLACEMENT INSTRUCTIONS:

1. Turn off power to HVAC system to prevent it from operating during actuator replacement.
2. Disconnect 24VAC power supply from actuator.
3. Loosen screw on orange shaft cap and remove cap as shown in **FIGURE 1**.
4. Slide actuator off damper shaft.
5. Rotate shaft to position the blade in the proper position as indicated in **FIGURES 2, 3** or **4**, depending on the type of damper.
6. Slide new actuator onto shaft and fully seat it so that the anti-rotation boss on the actuator goes into the 3/8" hole in the damper shell. Make sure that the foam gasket is in place around the anti-rotation boss to prevent air leakage.
7. Replace shaft cap and tighten screw.
8. Reconnect 24VAC power supply to actuator.
9. Restore power to the HVAC system and test the actuator for proper operation.

FIGURE 1

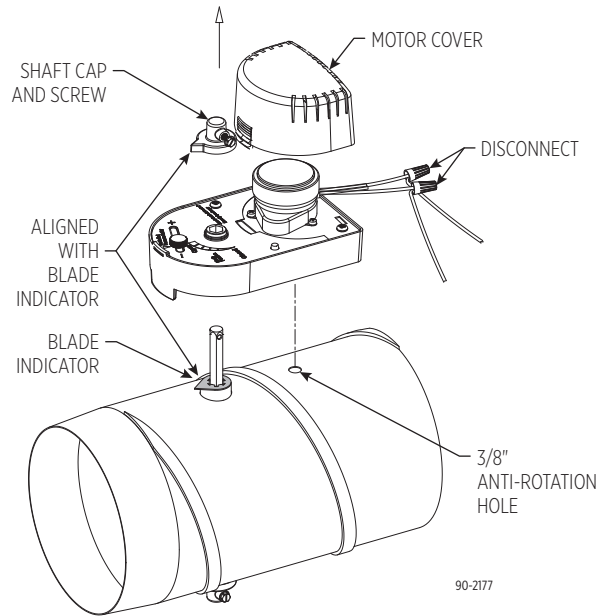


FIGURE 2

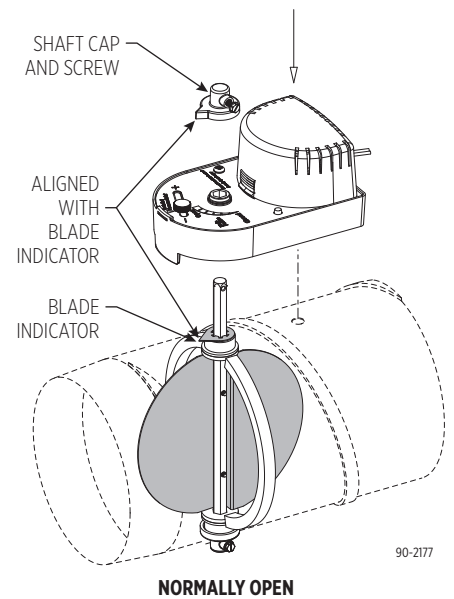


FIGURE 3

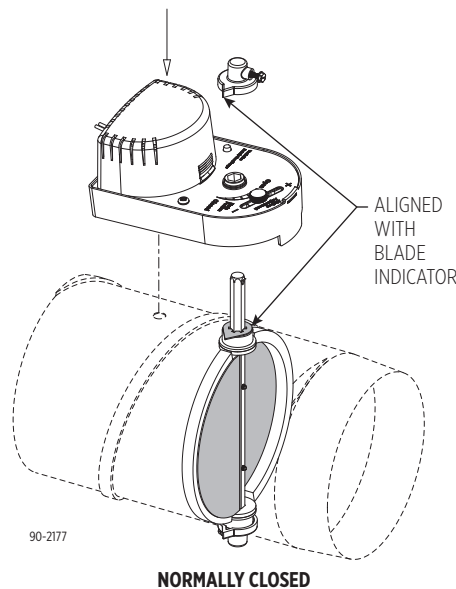


FIGURE 4

