



Product Data

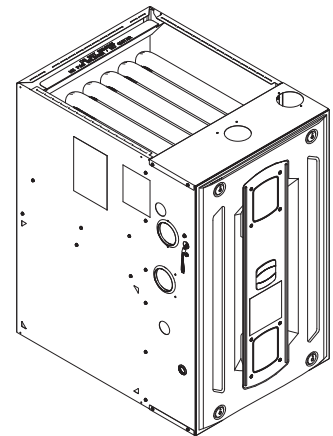
Upflow/ Horizontal Left/Right, Downflow Two Stage Condensing Gas Fired Furnace

Upflow, Convertible to Horizontal Right or Horizontal Left

S9X2B040U3PSBA
S9X2B060U4PSBA
S9X2B080U4PSBA
S9X2C080U5PSBA
S9X2C100U5PSBA
S9X2D120U5PSBA

Downflow Only

S9X2B040D3PSBA
S9X2B060D3PSBA
S9X2B080D4PSBA
S9X2C100D5PSBA
S9X2D120D5PSBA



Note: Graphics in this document are for representation only. Actual model may differ in appearance.

CAUTION

COIL REQUIREMENT!

Failure to follow this Caution could result in property damage or personal injury. 4GXC* and 4MXC* coils installed on upflow furnaces in vertical, horizontal left, or horizontal right orientations without a factory installed metal drain pan shield must use a MAY*FERCOLKITAA kit. Coils installed on upflow furnaces must have drain pans that are suitable for 400° F (205°C) or have a metal drain pan shield. Downflow furnaces do not require a metal drain pan shield or the use of the MAY*FERCOLKITAA kit. See Installer's Guide for more information.



General Features

NATURAL GAS MODELS

Central Heating furnace designs are certified by the American Gas Association for both natural and L.P. gas. Limit setting and rating data were established and approved under standard rating conditions using American National Standards Institute standards.

SAFE OPERATION

The Integrated System Control is a solid state device which continuously monitors for presence of flame when the system is in the heating mode of operation. Dual solenoid combination gas valve and regulator provide additional safety.

QUICK HEATING

Durable, cycle tested, heavy gauge **tubular stainless steel primary heat exchanger** quickly transfers heat to provide warm conditioned air to the structure. **Low energy power vent blower**, to increase efficiency and provide a positive discharge of gas fumes to the outside.

BURNERS

Multiport Inshot burners will give years of quiet and efficient service. All models can be converted to **L.P. gas** with LP conversion kit.

INTEGRATED SYSTEM CONTROL

Exclusively designed operational program provides total control of furnace limit sensors, blowers, gas valve, flame control and includes self diagnostics for ease of service. Also contains dry contacts for EAC and HUM.

ENERGY EFFICIENT OPERATION

Furnace is certified by the manufacturer to leak 1% or less of nominal air conditioning CFM delivered when pressurized to .5" water column with all inlets, outlets, and drains sealed.

AIR DELIVERY

The 9 speed blower motor has sufficient airflow for most heating and cooling requirements and will switch from heating to cooling speeds on demand from room thermostat.

SECONDARY HEAT EXCHANGER

The S-Series furnace has a special type 29- 4C™ stainless steel secondary heat exchanger to reclaim heat from flue gases which would normally be lost.

STYLING

Heavy gauge steel and "wrap-around" cabinet construction is used in the cabinet with baked-on enamel finish for strength and beauty. Every orientation has at least two venting options. There are no knockouts on cabinet.

FEATURES AND GENERAL OPERATION

The S-Series furnace utilizes a Silicon Nitride Hot Surface Ignition system, which eliminates the waste of a constant burning pilot. The integrated system control lights the main burners upon a demand for heat from the room thermostat. Complete front service access.

- a. Low energy power venter
- b. Vent proving pressure switches.



Features and Benefits

UP TO 96.0% AFUE ON S9X2 FURNACE MODELS

Meets utility rebates

Lowers utility bills

ELECTRICALLY EFFICIENT

Efficient airflow design reduces electrical energy use

34 INCH TALL

Lighter, easier to move and fit into tight spaces like short basements or tight closets

Works great with larger, high-efficiency coils

No knockouts

3-WAY MULTI-POISE / DEDICATED DOWNFLOW

6 SKU's — Upflow / Horizontal Left / Horizontal Right

5 SKU's — Downflow

Added application flexibility and reduction in specification errors

AIRFLOW

At least 400 CFM/ton at 0.5 in. H₂O external static pressure

REGULATORY

All models are air tight; 1% or less air leakage as per ASHRAE 193

Open vestibule design provides a full 34" high open vestibule

DIMENSIONS

Widths are industry standard: 17.5", 21", and 24.5"

Depth remains approximately 28"

Cabinet will be compatible with industry standard coils, as well as, other accessories

INTEGRATED FURNACE CONTROL

Setup / Status / Diagnostics / Digital Display

No dip switches

Last six errors stored

Dry contact EAC and HUM connections

All Molex connections; no spade terminals

Low voltage labeled above and below

Rain shield over IFC keeps condensate off the control

TUBULAR STAINLESS STEEL PRIMARY HEAT EXCHANGER 29-4C STAINLESS STEEL SECONDARY HEAT EXCHANGER

Stainless steel is a more durable, corrosive-resistant material than aluminumized steel

Integrated rail system for easy access if required

Reduces or eliminates need for baffles

VORTICA II BLOWER, DESIGNED EXCLUSIVELY FOR THE S-SERIES FURNACE

Improved airflow efficiency

Durable, easy to clean, two piece housing

Single piece belly band/ motor arm assembly

Blower deck has full-length rails for easy removal and replacement, regardless of poise

THREE-WAY MULTI-POISE (UPFLOW, HORIZONTAL LEFT AND RIGHT) PLUS DEDICATED DOWNFLOW



Features and Benefits

Easier to specify

Shipped ready to install (no conversion kits required)

Every model has at least two venting options

When in horizontal, trap extends only about 2"

Barbed fitting on trap at hose connection and on cabinet transition for hose has barbed fitting and clamps at both ends for leak resistance.

Vent table improvements including longer vent lengths; 2" pipe can be used up to 100K



Accessories

Table 1. Accessories

Model Number	Description	Use with
MAYBFERCOLKITA	Heat Shield Kit for B-width 4GXCB or 4MCXB Coils	B width 4GXCB or 4MCXB Coils when installed with Upflow Furnace in all orientations
MAYCFERCOLKITA	Heat Shield Kit for C-width 4GXCC or 4MCXC Coils	C width 4GXCC or 4MCXC Coils when installed with Upflow Furnace in all orientations
MAYDFERCOLKITA	Heat Shield Kit for D-width 4GXCD or 4MCXD Coils	D width 4GXCD or 4MCXD Coils when installed with Upflow Furnace in all orientations
BAYHANG	Horizontal Hanging Kit	All Upflow Furnaces
BAYVENT200B	Sidewall Vent Termination Kit	All Furnaces
BAYVENTCN200B	Sidewall Vent Termination Kit (Canada —CPVC)	All Furnaces
BAYAIR30AVENTA	Concentric Vent Kit	All Furnaces
BAYAIR30CNVENT	Concentric Vent Kit (Canada — CPVC)	All Furnaces
BAYREDUCE	Reducing Coupling (CPVC)	All Furnaces
BAYLIFTB	Dual Return Kit (B size extension)	B Cabinet Upflow Furnaces
BAYLIFTC	Dual Return Kit (C size extension)	C Cabinet Upflow Furnaces
BAYLIFTD	Dual Return Kit (D size extension)	D Cabinet Upflow Furnaces
BAYBASE205	Downflow Subbase	All Downflow Furnaces
BAYFLTR206	Filter Access Door Kit (Downflow only)	All Downflow Furnaces
BAYSF1165AA ^(a)	1" SlimFit Box with MERV 4 Filter	All Upflow Furnaces
BAYSF1255BA	1" SlimFit Filter and Insulated Frame	All Furnaces ^(b)
FLRSF1255	1" Filter replacement (Qty 12)	BAYSF1255BA
BAYFLTR203	Horizontal Filter Kit	B Cabinet Furnaces in Downflow/Horizontal
BAYFLTR204	Horizontal Filter Kit	C Cabinet Furnaces in Downflow/Horizontal
BAYFLTR205	Horizontal Filter Kit	D Cabinet Furnaces in Downflow/Horizontal
BAYLPSS400B	Propane Conversion Kit with Stainless Steel Burners	All Furnaces
BAYMFGH200B	Manufactured/Mobile Housing Kit	All Furnaces
BAYCNDTRAP2A	Inline Condensate Trap Kit used with Special Venting on 2" Vent Pipe	All Furnaces
BAYCNDTRAP3A	Inline Condensate Trap Kit used with Special Venting on 3" Vent Pipe	All Furnaces

^(a) Airflow greater than 1600 CFM requires dual returns

^(b) Designed to fit all S-Series furnaces with or without transition when used in side return. Fits B width cabinet without a transition in upflow/downflow applications.



Product Specifications

MODEL	S9X2B040U3PSBA (a)	S9X2B060U4PSBA (a)	S9X2B080U4PSBA (a)	S9X2C080U5PSBA (a)
TYPE	Upflow/Horizontal	Upflow/Horizontal	Upflow/Horizontal	Upflow/Horizontal
RATINGS (b)				
1st Stage Input BTUH (ICS)	26,000	39,000	52,000	52,000
1st Stage Capacity BTUH	25,220	37,830	50,440	50,440
2nd Stage Input BTUH	40,000	60,000	80,000	80,000
2nd Stage Capacity BTUH (ICS) (c)(d)	38,800	58,200	77,600	77,600
1st Stage Temp. Rise (Min.-Max.)	25 - 55	25 - 55	30 - 60	30 - 60
2nd Stage Temp. Rise (Min.-Max.)	30 - 60	30 - 60	45 - 75	40 - 70
AFUE (%)	96.0	96.0	96.0	95.0
BLOWER DRIVE	DIRECT	DIRECT	DIRECT	DIRECT
Diameter — Width (In.)	11 X 8	11 X 8	11 X 8	11 X 10
No. Used	1	1	1	1
Speeds (No.) (e)	9	9	9	9
CFM vs. in. w.g.	See Fan Performance Table	See Fan Performance Table	See Fan Performance Table	See Fan Performance Table
Motor HP	1/2	3/4	3/4	1
RPM	1075	1075	1075	1075
Volts/Ph/Hz	120 / 1 / 60	120 / 1 / 60	120 / 1 / 60	120 / 1 / 60
FLA	6.4	7.6	7.6	10.6
COMBUSTION FAN — Type	Centrifugal	Centrifugal	Centrifugal	Centrifugal
Drive — No. Speeds	Direct - 2	Direct - 2	Direct - 2	Direct - 2
Motor HP — RPM	3300/2600	3300/2600	3300/2600	3300/2600
Volts/Ph/Hz	120 / 1 / 60	120 / 1 / 60	120 / 1 / 60	120 / 1 / 60
FLA	0.66	0.66	0.66	0.66
FILTER — Furnished?	No	No	No	No
Type recommended	High Velocity	High Velocity	High Velocity	High Velocity
Hi Vel. (No.-Size-Thk.)	1 — 16x25 — 1 in.	1 — 16x25 — 1 in.	1 — 16x25 — 1 in.	1 — 20x25 — 1 in.
VENT PIPE DIAMETER — Min (in.) (f) (g)	2 Round	2 Round	2 Round	2 Round
HEAT EXCHANGER				
Type — Fired	409 Stainless Steel	409 Stainless Steel	409 Stainless Steel	409 Stainless Steel
— Unfired	29-4C Stainless Steel	29-4C Stainless Steel	29-4C Stainless Steel	29-4C Stainless Steel
Gauge (Fired)	20	20	20	20
ORIFICES — Main				
Nat. Gas Qty. — Drill Size	2- 45	3 - 45	4 - 45	4 - 45
LP Gas Qty. — Drill Size	2- 56	3 - 56	4- 56	4- 56
GAS VALVE	Redundant - Two Stage	Redundant - Two Stage	Redundant - Two Stage	Redundant - Two Stage
PILOT SAFETY DEVICE				
Type	120 V SiNi Igniter	120 V SiNi Igniter	120 V SiNi Igniter	120 V SiNi Igniter
BURNERS — Type	Multiport Inshot	Multiport Inshot	Multiport Inshot	Multiport Inshot



Product Specifications

MODEL	S9X2B040U3PSBA (a)	S9X2B060U4PSBA (a)	S9X2B080U4PSBA (a)	S9X2C080U5PSBA (a)
Number	2	3	4	4
POWER CONN. — V/Ph/Hz (h)	120 / 1 / 60	120 / 1 / 60	120 / 1 / 60	120 / 1 / 60
Ampacity (In Amps)	8.8	10.3	10.3	14.1
Max. Overcurrent Protection (Amps)	15	15	15	15
PIPE CONN. SIZE (in.)	1/2	1/2	1/2	1/2
DIMENSIONS	H x W x D	H x W x D	H x W x D	H x W x D
Uncrated (In.)	34 x 17-1/2 x 28-3/4	34 x 17-1/2 x 28-3/4	34 x 17-1/2 x 28-3/4	34 x 21 x 28-3/4
Crated (In.)	35-1/2 x 19-1/2 x 30-7/8	35-1/2 x 19-1/2 x 30-7/8	35-1/2 x 19-1/2 x 30-7/8	35-1/2 x 23 x 30-7/8
WEIGHT				
Shipping (Lbs.)/Net (Lbs.)	122/114	130/122	135/127	149/139

(a) Meets Energy Star

(b) For U.S. applications, above input ratings (BTUH) are up to 2,000 feet, derate 4% per 1,000 feet for elevations above 2,000 feet above sea level. For Canadian applications, above input ratings (BTUH) are up to 4,500 feet, derate 4% per 1,000 feet for elevations above 4,500 feet above sea level.

(c) Central Furnace heating designs are certified to ANSI Z21.47 / CSA 2.3 — latest edition.

(d) Based on U.S. government standard tests.

(e) 9 Speed constant torque ECM blower motor

(f) Refer to the Vent Length Table in the Installer's Guide.

(g) All S9X2 furnace models have a vent outlet diameter that equals 2 in.

(h) The above wiring specifications are in accordance with National Electrical Code; however, installations must comply with local codes.

MODEL	S9X2C100U5PSBA (a)	S9X2D120U5PSBA (a)	S9X2B040D3PSBA (a)	S9X2B060D3PSBA (a)
TYPE	Upflow / Horizontal	Upflow/Horizontal	Downflow	Downflow
RATINGS (b)				
1st Stage Input BTUH (ICS)	65,000	78,000	26,000	39,000
1st Stage Capacity BTUH	63,050	75,660	25,220	37,830
2nd Stage Input BTUH	100,000	120,000	40,000	60,000
2nd Stage Capacity BTUH (ICS) (c) (d)	97,000	116,400	38,800	58,200
1st Stage Temp. Rise (Min.-Max.)	25 - 55	30 - 60	25 - 55	25 - 55
2nd Stage Temp. Rise (Min.-Max.)	40 - 70	40 - 70	30 - 60	35 - 65
AFUE (%)	96.0	96.0	96.0	95.0
BLOWER DRIVE	DIRECT	DIRECT	DIRECT	DIRECT
Diameter — Width (In.)	11 X 10	11 X 10	11 X 8	11 X 8
No. Used	1	1	1	1
Speeds (No.) (e)	9	9	9	9
CFM vs. in. w.g.	See Fan Performance Table	See Fan Performance Table	See Fan Performance Table	See Fan Performance Table
Motor HP	1	1	1/2	1/2
RPM	1075	1075	1075	1075
Volts/Ph/Hz	120 / 1 / 60	120 / 1 / 60	120 / 1 / 60	120 / 1 / 60
FLA	10	10.6	6.4	6.4
COMBUSTION FAN — Type	Centrifugal	Centrifugal	Centrifugal	Centrifugal
Drive — No. Speeds	Direct - 2	Direct - 2	Direct - 2	Direct - 2
Motor HP — RPM	3300/2600	3300/2600	3300/2600	3300/2600
Volts/Ph/Hz	120 / 1 / 60	120 / 1 / 60	120 / 1 / 60	120 / 1 / 60
FLA	0.66	0.66	0.66	0.66
FILTER — Furnished?	No	No	No	No
Type recommended	High Velocity	High Velocity	High Velocity	High Velocity



Product Specifications

MODEL	S9X2C100U5PSBA (a)	S9X2D120U5PSBA (a)	S9X2B040D3PSBA (a)	S9X2B060D3PSBA (a)
Hi Vel. (No.-Size-Thk.)	1 – 20x25 – 1 in.	1 – 24x25 – 1 in.	2 – 14x20 – 1 in.	2 – 14x20 – 1 in.
VENT PIPE DIAMETER – Min (in.) (f) (g)	2 Round	3 Round	2 Round	2 Round
HEAT EXCHANGER				
Type – Fired	409 Stainless Steel	409 Stainless Steel	409 Stainless Steel	409 Stainless Steel
– Unfired	29–4C Stainless Steel	29–4C Stainless Steel	29–4C Stainless Steel	29–4C Stainless Steel
Gauge (Fired)	20	20	20	20
ORIFICES – Main				
Nat. Gas Qty. – Drill Size	5 - 45	6 - 45	2- 45	3 - 45
LP Gas Qty. – Drill Size	5- 56	6- 56	2- 56	3 - 56
GAS VALVE	Redundant - Two Stage	Redundant - Two Stage	Redundant - Two Stage	Redundant - Two Stage
PILOT SAFETY DEVICE				
Type	120 V SiNi Igniter	120 V SiNi Igniter	120 V SiNi Igniter	120 V SiNi Igniter
BURNERS – Type	Multiport Inshot	Multiport Inshot	Multiport Inshot	Multiport Inshot
Number	5	6	2	3
POWER CONN. – V/Ph/Hz (h)	120 / 1 / 60	120 / 1 / 60	120 / 1 / 60	120 / 1 / 60
Ampacity (In Amps)	13.3	14.1	8.8	8.8
Max. Overcurrent Protection (Amps)	15	15	15	15
PIPE CONN. SIZE (in.)	1/2	1/2	1/2	1/2
DIMENSIONS	H x W x D	H x W x D	H x W x D	H x W x D
Uncrated (In.)	34 x 21 x 28–3/4	34 x 24–1/2 x 28–3/4	34 x 17–1/2 x 28–3/4	34 x 17–1/2 x 28–3/4
Crated (In.)	35–1/2 x 23 x 30–7/8	35–1/2 x 26–1/2 x 30–7/8	35–1/2 x 19–1/2 x 30–7/8	35–1/2 x 19–1/2 x 30–7/8
WEIGHT				
Shipping (Lbs.)/Net (Lbs.)	155/145	167/156	122/114	127/119

(a) Meets Energy Star

(b) For U.S. applications, above input ratings (BTUH) are up to 2,000 feet, derate 4% per 1,000 feet for elevations above 2,000 feet above sea level. For Canadian applications, above input ratings (BTUH) are up to 4,500 feet, derate 4% per 1,000 feet for elevations above 4,500 feet above sea level.

(c) Central Furnace heating designs are certified to ANSI Z21.47 / CSA 2.3.

(d) Based on U.S. government standard tests.

(e) 9 Speed constant torque ECM blower motor

(f) Refer to the Vent Length Table in the Installer's Guide.

(g) All S9X2 furnace models have a vent outlet diameter that equals 2 in.

(h) The above wiring specifications are in accordance with National Electrical Code; however, installations must comply with local codes.

MODEL	S9X2B080D4PSBA (a)	S9X2C100D5PSBA (a)	S9X2D120D5PSBA (a)
TYPE	Downflow	Downflow	Downflow
RATINGS (b)			
1st Stage Input BTUH (ICS)	52,000	65,000	78,000
1st Stage Capacity BTUH	50,440	63,050	75,660
2nd Stage Input BTUH	80,000	100,000	120,000
2nd Stage Capacity BTUH (ICS) (c) (d)	77,600	97,000	116,400
1st Stage Temp. Rise (Min.-Max.)	30 - 60	25 - 55	30-60
2nd Stage Temp. Rise (Min.-Max.)	45 - 75	40 - 70	45-75
AFUE (%)	96.0	95.0	96.0
BLOWER DRIVE	DIRECT	DIRECT	DIRECT
Diameter – Width (In.)	11 X 8	11 X 10	11 X 10
No. Used	1	1	1
Speeds (No.) (e)	9	9	9

MODEL	S9X2B080D4PSBA (a)	S9X2C100D5PSBA (a)	S9X2D120D5PSBA (a)
CFM vs. in. w.g.	See Fan Performance Table	See Fan Performance Table	See Fan Performance Table
Motor HP	3/4	1	1
RPM	1075	1075	1075
Volts/Ph/Hz	120 / 1 / 60	120 / 1 / 60	120 / 1 / 60
FLA	9.3	10.6	10.6
COMBUSTION FAN — Type	Centrifugal	Centrifugal	Centrifugal
Drive — No. Speeds	Direct - 2	Direct - 2	Direct - 2
Motor HP — RPM	3300/2600	3300/2600	3300/2600
Volts/Ph/Hz	120 / 1 / 60	120 / 1 / 60	120 / 1 / 60
FLA	0.66	0.66	0.66
FILTER — Furnished?	No	No	No
Type recommended	High Velocity	High Velocity	High Velocity
Hi Vel. (No.-Size-Thk.)	2 — 14x20 — 1 in.	2 — 16x20 — 1 in.	2 — 16x20 — 1 in.
VENT PIPE DIAMETER — Min (in.) (f) (g)	2 Round	2 Round	3 Round
HEAT EXCHANGER			
Type — Fired	409 Stainless Steel	409 Stainless Steel	409 Stainless Steel
— Unfired	29-4C Stainless Steel	29-4C Stainless Steel	29-4C Stainless Steel
Gauge (Fired)	20	20	20
ORIFICES — Main			
Nat. Gas Qty. — Drill Size	4 - 45	5 - 45	6 - 45
LP Gas Qty. — Drill Size	4- 56	5- 56	6- 56
GAS VALVE	Redundant - Two Stage	Redundant - Two Stage	Redundant - Two Stage
PILOT SAFETY DEVICE			
Type	120 V SiNi Igniter	120 V SiNi Igniter	120 V SiNi Igniter
BURNERS — Type	Multiport Inshot	Multiport Inshot	Multiport Inshot
Number	4	5	6
POWER CONN. — V/Ph/Hz (h)	120 / 1 / 60	120 / 1 / 60	120 / 1 / 60
Ampacity (In Amps)	12.4	14.1	14.1
Max. Overcurrent Protection (Amps)	15	15	15
PIPE CONN. SIZE (in.)	1/2	1/2	1/2
DIMENSIONS	H x W x D	H x W x D	H x W x D
Uncrated (In.)	34 x 17-1/2 x 28-3/4	34 x 21 x 28-3/4	34 x 24-1/2 x 28-3/4
Crated (In.)	35-1/2 x 19-1/2 x 30-7/8	35-1/2 x 23 x 30-7/8	35-1/2 x 26-1/2 x 30-7/8
WEIGHT			
Shipping (Lbs.)/Net (Lbs.)	135/127	155/145	167/156

(a) Meets Energy Star

(b) For U.S. applications, above input ratings (BTUH) are up to 2,000 feet, derate 4% per 1,000 feet for elevations above 2,000 feet above sea level. For Canadian applications, above input ratings (BTUH) are up to 4,500 feet, derate 4% per 1,000 feet for elevations above 4,500 feet above sea level.

(c) Central Furnace heating designs are certified to ANSI Z21.47 / CSA 2.3.

(d) Based on U.S. government standard tests.

(e) 9 Speed constant torque ECM blower motor

(f) Refer to the Vent Length Table in the Installer's Guide.

(g) All S9X2 furnace models have a vent outlet diameter that equals 2 in.

(h) The above wiring specifications are in accordance with National Electrical Code; however, installations must comply with local codes.



Airflow tables

Furnace Airflow (CFM) Vs. External Static Pressure (in. W.C.)							
Model	Tap		0.1	0.3	0.5	0.7	0.9
S9X2B040U3PSBA	1	SCFM	510	314	118	-	-
		Watts	34	43	52	-	-
	2	SCFM	532	341	150	-	-
		Watts	36	45	54	-	-
	3	SCFM	877	748	620	491	362
		Watts	91	104	118	131	144
	4	SCFM	933	813	693	573	452
		Watts	106	120	133	147	161
	5	SCFM	1056	950	843	737	631
		Watts	140	156	172	188	204
	6	SCFM	1111	1009	908	806	705
		Watts	157	174	190	207	223
	7	SCFM	1174	1078	983	887	791
		Watts	182	199	216	233	251
	8	SCFM	1376	1297	1218	1140	1061
		Watts	285	305	325	344	364
	9	SCFM	1512	1445	1378	1312	1245
		Watts	382	403	424	445	466

Furnace Airflow (CFM) Vs. External Static Pressure (in. W.C.)							
Model	Tap		0.1	0.3	0.5	0.7	0.9
S9X2B060U4PSBA	1	SCFM	840	702	565	427	290
		Watts	91	101	111	121	130
	2	SCFM	1001	893	786	678	571
		Watts	137	149	162	174	186
	3	SCFM	1140	1051	963	875	786
		Watts	193	207	221	235	249
	4	SCFM	1208	1128	1048	969	889
		Watts	223	238	253	268	283
	5	SCFM	1299	1224	1148	1073	998
		Watts	270	284	298	312	327
	6	SCFM	1413	1348	1283	1217	1152
		Watts	343	359	375	391	406
	7	SCFM	1444	1380	1315	1251	1186
		Watts	354	370	386	403	419
	8	SCFM	1727	1674	1622	1570	1518
		Watts	612	631	650	668	687
	9	SCFM	1790	1741	1691	1642	1593
		Watts	694	712	729	747	765

Furnace Airflow (CFM) Vs. External Static Pressure (in. W.C.)							
Model	Tap		0.1	0.3	0.5	0.7	0.9
S9X2B080U4PSBA	1	SCFM	911	766	622	477	332
		Watts	94	104	115	125	136
	2	SCFM	1075	963	851	740	628
		Watts	139	153	168	182	197
	3	SCFM	1215	1121	1028	934	840
		Watts	185	202	219	236	253
	4	SCFM	1250	1164	1077	990	903
		Watts	203	221	239	257	274
	5	SCFM	1349	1272	1194	1116	1039
		Watts	251	271	291	310	330
	6	SCFM	1453	1387	1321	1254	1188
		Watts	313	335	356	378	400
	7	SCFM	1505	1438	1372	1305	1239
		Watts	340	362	384	406	427
	8	SCFM	1657	1597	1538	1479	1419
		Watts	453	477	500	524	547
9	SCFM	1878	1815	1752	1690	1627	
	Watts	669	686	702	718	735	

Furnace Airflow (CFM) Vs. External Static Pressure (in. W.C.)							
Model	Tap		0.1	0.3	0.5	0.7	0.9
S9X2C080U5PSBA	1	SCFM	643	384	125		
		Watts	45	53	62	-	-
	2	SCFM	1125	982	838	694	551
		Watts	126	142	158	174	190
	3	SCFM	1192	1038	884	730	576
		Watts	140	157	174	191	208
	4	SCFM	1509	1377	1246	1115	983
		Watts	245	268	291	314	337
	5	SCFM	1548	1428	1308	1187	1067
		Watts	257	281	304	328	352
	6	SCFM	1602	1467	1331	1196	1061
		Watts	320	345	371	396	421
	7	SCFM	1640	1512	1383	1255	1127
		Watts	352	379	406	433	459
	8	SCFM	1831	1778	1726	1673	1621
		Watts	521	550	579	608	637
9	SCFM	2351	2278	2204	2131	2058	
	Watts	886	918	950	982	1014	



Airflow tables

Furnace Airflow (CFM) Vs. External Static Pressure (in. W.C.)							
Model	Tap		0.1	0.3	0.5	0.7	0.9
S9X2C100U5PSBA	1	SCFM	1013	847	680	514	348
		Watts	104	116	129	142	155
	2	SCFM	1261	1126	990	854	718
		Watts	168	185	202	219	236
	3	SCFM	1519	1407	1296	1184	1072
		Watts	267	290	313	336	358
	4	SCFM	1554	1446	1337	1229	1120
		Watts	283	307	330	353	377
	5	SCFM	1749	1651	1554	1457	1359
		Watts	385	411	436	462	488
	6	SCFM	1868	1778	1688	1599	1509
		Watts	464	491	519	546	574
	7	SCFM	2018	1936	1853	1770	1688
		Watts	573	602	631	660	689
	8	SCFM	2191	2112	2033	1954	1875
		Watts	718	750	782	815	847
9	SCFM	2395	2303	2212	2120	2028	
	Watts	966	981	996	1012	1027	

Furnace Airflow (CFM) Vs. External Static Pressure (in. W.C.)							
Model	Tap		0.1	0.3	0.5	0.7	0.9
S9X2D120U5PSBA	1	SCFM	707	443	179	-	-
		Watts	46	55	64	-	-
	2	SCFM	1344	1218	1092	966	840
		Watts	163	183	202	222	241
	3	SCFM	1532	1419	1307	1195	1083
		Watts	225	247	268	290	312
	4	SCFM	1584	1477	1370	1263	1156
		Watts	247	270	292	315	338
	5	SCFM	1915	1818	1722	1625	1529
		Watts	401	428	454	480	506
	6	SCFM	2104	2016	1927	1839	1750
		Watts	525	553	582	610	639
	7	SCFM	2132	2045	1958	1870	1783
		Watts	546	575	604	633	662
	8	SCFM	2410	2328	2247	2165	2084
		Watts	833	868	903	937	972
9	SCFM	2472	2401	2329	2257	2186	
	Watts	909	944	979	1013	1048	

Furnace Airflow (CFM) Vs. External Static Pressure (in. W.C.)							
Model	Tap		0.1	0.3	0.5	0.7	0.9
S9X2B040D3PSBA	1	SCFM	378	153	-	-	-
		Watts	28	32	-	-	-
	2	SCFM	514	330	145	-	-
		Watts	35	45	55	64	74
	3	SCFM	765	618	471	324	178
		Watts	69	81	93	105	116
	4	SCFM	827	691	554	418	281
		Watts	81	94	106	119	132
	5	SCFM	988	879	770	661	553
		Watts	124	140	156	171	187
	6	SCFM	1085	986	887	787	688
		Watts	156	173	190	207	224
	7	SCFM	1125	1030	934	839	743
		Watts	170	188	205	222	239
	8	SCFM	1129	1035	941	847	753
		Watts	170	187	204	221	239
9	SCFM	1492	1419	1346	1273	1200	
	Watts	369	390	411	431	452	

Furnace Airflow (CFM) Vs. External Static Pressure (in. W.C.)							
Model	Tap		0.1	0.3	0.5	0.7	0.9
S9X2B060D3PSBA	1	SCFM	624	451	277	104	-
		Watts	47	57	68	79	-
	2	SCFM	866	734	602	470	338
		Watts	89	102	116	129	142
	3	SCFM	949	833	718	602	486
		Watts	113	128	142	156	171
	4	SCFM	1122	1025	928	831	733
		Watts	165	182	200	217	235
	5	SCFM	1178	1087	996	905	814
		Watts	191	209	227	246	264
	6	SCFM	1260	1180	1100	1021	941
		Watts	233	252	271	290	309
	7	SCFM	1370	1299	1228	1158	1087
		Watts	296	316	336	355	375
	8	SCFM	1480	1416	1352	1287	1223
		Watts	365	387	408	429	450
9	SCFM	1504	1440	1376	1312	1249	
	Watts	384	406	427	449	470	



Airflow tables

Furnace Airflow (CFM) Vs. External Static Pressure (in. W.C.)							
Model	Tap		0.1	0.3	0.5	0.7	0.9
S9X2B080D4PSBA	1	SCFM	499	306	113	-	-
		Watts	36	43	49	-	-
	2	SCFM	1017	922	828	734	640
		Watts	143	158	173	188	203
	3	SCFM	1119	1029	940	850	761
		Watts	176	192	207	223	239
	4	SCFM	1205	1125	1044	964	883
		Watts	215	233	250	268	285
	5	SCFM	1237	1160	1083	1006	928
		Watts	231	250	268	286	305
	6	SCFM	1378	1309	1240	1172	1103
		Watts	315	334	354	373	393
	7	SCFM	1453	1389	1324	1260	1195
		Watts	360	380	399	419	439
	8	SCFM	1618	1562	1505	1449	1392
		Watts	496	518	540	561	583
9	SCFM	1794	1742	1691	1639	1587	
	Watts	682	704	726	748	770	

Furnace Airflow (CFM) Vs. External Static Pressure (in. W.C.)							
Model	Tap		0.1	0.3	0.5	0.7	0.9
S9X2C100D5PSBA	1	SCFM	1002	823	644	465	285
		Watts	103	117	130	144	157
	2	SCFM	1385	1276	1167	1057	948
		Watts	223	243	264	284	304
	3	SCFM	1527	1430	1333	1236	1139
		Watts	286	310	333	357	380
	4	SCFM	1610	1516	1421	1326	1231
		Watts	328	352	377	401	425
	5	SCFM	1761	1677	1593	1509	1425
		Watts	433	459	486	512	538
	6	SCFM	1861	1783	1706	1628	1551
		Watts	492	520	549	577	605
	7	SCFM	1984	1902	1820	1738	1656
		Watts	548	577	606	635	663
	8	SCFM	2173	2097	2020	1944	1867
		Watts	728	760	792	824	856
9	SCFM	2342	2269	2196	2123	2050	
	Watts	945	973	1002	1031	1060	

Furnace Airflow (CFM) Vs. External Static Pressure (in. W.C.)							
Model	Tap		0.1	0.3	0.5	0.7	0.9
S9X2D120D5PSBA	1	SCFM	680	419	159	-	-
		Watts	47	56	66	-	-
	2	SCFM	1481	1372	1264	1155	1046
		Watts	236	259	282	304	327
	3	SCFM	1566	1461	1357	1253	1149
		Watts	268	292	316	340	363
	4	SCFM	1803	1711	1619	1527	1435
		Watts	393	420	446	472	498
	5	SCFM	1891	1801	1711	1621	1532
		Watts	445	472	500	527	555
	6	SCFM	2132	2025	1919	1812	1705
		Watts	568	601	633	666	698
	7	SCFM	2154	2068	1982	1896	1810
		Watts	644	675	705	736	766
	8	SCFM	2344	2267	2190	2113	2035
		Watts	837	870	902	934	967
	9	SCFM	2414	2333	2251	2170	2088
		Watts	896	928	961	993	1026



CFM Versus Temperature Rise

S9X2 Furnaces have two stage heating. First Stage is Low heating and Second Stage is High heating.

Table 2. 2nd Stage Heating Table – Upflow

CFM VS. 2ND STAGE TEMPERATURE RISE																		
MODEL	CFM (CUBIC FEET PER MINUTE)																	
	600	700	800	900	1000	1100	1200	1300	1400	1500	1600	1700	1800	1900	2000	2100	2200	2300
S9X2B040U3PSBA	60	51	45	40	36	33												
S9X2B060U4PSBA				60	54	49	45	41	38	36	34	32						
S9X2B080U4PSBA					72	65	60	55	51	48								
S9X2C080U5PSBA						65	60	55	51	48	45	42						
S9X2C100U5PSBA								69	64	60	56	53	50	47	45	43	41	
S9X2D120U5PSBA											67	63	60	57	54	51	49	47

Table 3. 1st Stage Heating Table – Upflow

CFM VS. 1ST STAGE TEMPERATURE RISE																	
MODEL	CFM (CUBIC FEET PER MINUTE)																
	500	600	700	800	900	1000	1100	1200	1300	1400	1500	1600	1700	1800	1900	2000	2100
S9X2B040U3PSBA	47	39	33	29	26												
S9X2B060U4PSBA			50	44	39	35	32	29	27	25							
S9X2B080U4PSBA				58	52	47	42	39	36	33	31						
S9X2C080U5PSBA				58	52	47	42	39	36	33	31						
S9X2C100U5PSBA							53	49	45	42	39	36	34	32	31	29	28
S9X2D120U5PSBA								58	54	50	47	44	41	39	37	35	33

Table 4. 2nd Stage Heating Table – Downflow

CFM VS. 2ND STAGE TEMPERATURE RISE																		
MODEL	CFM (CUBIC FEET PER MINUTE)																	
	600	700	800	900	1000	1100	1200	1300	1400	1500	1600	1700	1800	1900	2000	2100	2200	2300
S9X2B040D3PSBA	60	51	45	40	36	33												
S9X2B060D3PSBA				60	54	49	45	41	38	36								
S9X2B080D4PSBA					72	65	60	55	51	48								
S9X2C100D5PSBA								69	64	60	56	53	50	47	45	43	41	
S9X2D120D5PSBA										72	67	63	60	57	54	51	49	47

Table 5. 1st Stage Heating Table – Downflow

CFM VS. 1ST STAGE TEMPERATURE RISE																	
MODEL																	
	500	600	700	800	900	1000	1100	1200	1300	1400	1500	1600	1700	1800	1900	2000	2100
S9X2B040D3PSBA	47	39	33	29	26												
S9X2B060D3PSBA			50	44	39	35	32	29	27	25							
S9X2B080D4PSBA				58	52	47	42	39	36	33	31						
S9X2C100D5PSBA							53	49	45	42	39	36	34	32	31	29	28
S9X2D120D5PSBA								58	54	50	47	44	41	39	37	35	33



Maximum Vent Length Table S9X2

Maximum Vent Length Table	Maximum Total Equivalent Length In Feet for Vent and Inlet Air (See Notes)	
	2 Inch or 2.5 Inch Pipe	3 Inch or 4 Inch Pipe
Altitude 0–2,000 Feet		
S9X2B040U3PS, S9X2B040D3PS, S9X2B060D3PS, S9X2B060U4PS	200	200
S9X2B080U4PS, S9X2B080D4PS, S9X2C080U5PS	100	200
S9X2C100U5PS, S9X2C100D5PS	50	200
S9X2D120U5PS, S9X2D120D5PS	Note 1	200
Altitude 2,001–5,400 Feet		
S9X2B040U3PS, S9X2B040D3PS, S9X2B060D3PS, S9X2B060U4PS	200	200
S9X2B080U4PS, S9X2B080D4PS, S9X2C080U5PS	80	120
S9X2C100U5PS, S9X2C100D5PS	50	150
S9X2D120U5PS, S9X2D120D5PS	Note 1	200
Altitude 5,401–7,800 Feet		
S9X2B040U3PS, S9X2B040D3PS, S9X2B060D3PS, S9X2B060U4PS	100	150
S9X2B080U4PS, S9X2B080D4PS, S9X2C080U5PS	50	70
S9X2C100U5PS, S9X2C100D5PS	Note 1	100
S9X2D120U5PS, S9X2D120D5PS	Note 1	100
Altitude 7,801–10,100 Feet		
S9X2B040U3PS, S9X2B040D3PS, S9X2B060D3PS, S9X2B060U4PS	50	90
S9X2B080U4PS, S9X2B080D4PS, S9X2C080U5PS	Note 1	50
S9X2C100U5PS, S9X2C100D5PS	Note 1	50
S9X2D120U5PS, S9X2D120D5PS	Note 1	50
Notes: 1. Not allowed 2. For PolyPro® by Duravent, Z-DENS by Novaflex Group, InnoFlue® by Centrotherm, and Polyflue™ manufactured modular venting systems that are in the approved vent pipe material table, fitting equivalent vent lengths may be different from what is shown in Note 6. Refer to the venting system manufacturer's installation instruction for appropriate venting diameters and equivalent lengths. 3. Minimum vent length for all models: 15' equivalent. 4. DO NOT MIX PIPE DIAMETERS IN THE SAME LENGTH OF PIPE OUTSIDE THE FURNACE CABINET (Except adapters at the top of the furnace). If different inlet and vent pipe sizes are used, the vent pipe must adhere to the maximum length limit shown in the table above (See note 7 below for exception). The inlet pipe can be of a larger diameter, but never smaller than the vent pipe. 5. MAXIMUM PIPE LENGTHS MUST NOT BE EXCEEDED! THE LENGTH SHOWN IS NOT A COMBINED TOTAL, IT IS THE MAXIMUM LENGTH OF EACH (Vent or Inlet air pipes). 6. One SHORT radius 90° elbow is equivalent to 10' of 4" pipe, 10' of 3" pipe, or 8' of 2" pipe. One LONG radius elbow is equivalent to 6' of 4" pipe, 7' of 3" pipe, or 5' of 2" pipe. Two 45° elbows equal one 90° LONG elbow. One MITERED elbow is equivalent to 12' of 3" pipe or 12' of 2" pipe. 7. The termination tee or bend must be included in the total number of elbows. If the BAYAIR30AVENTA or BAYAIR30CNVENT termination kit is used, the equivalent length of pipe is 5 feet. For BAYVENT200B and BAYVENTCN200B the equivalent length is 0 feet. 8. For Canadian applications, venting systems must meet ULC-S636 requirements. 9. The INLET AIR of one pipe systems require the installation of a minimum of one 90° elbow (to prevent dust and debris from falling straight into the furnace).		



S9X2 Wiring Diagram

NOTES:

- IF ANY OF THE ORIGINAL WIRING AS SUPPLIED WITH THIS FURNACE MUST BE REPLACED. IT MUST BE WITH WIRE HAVING A TEMPERATURE RATING OF AT LEAST 105°C. WIRES 12, 48, 49, 50, AND 51 REQUIRE A TEMPERATURE RATING OF AT LEAST 250°C.
- FOR PROPER AIRFLOW IN COOLING/HEAT PUMP MODE, "Y1" MUST BE CONNECTED TO THE THERMOSTAT FOR SINGLE STAGE UNITS. FOR TWO STAGE UNITS, "Y1" AND "Y2" MUST BE CONNECTED TO THE THERMOSTAT.
- FOR SINGLE STAGE THERMOSTATS, JUMPER "W1" AND "W2" TERMINALS. SECOND STAGE HEATING WILL BE ENERGIZED ONCE THE INTER-STAGE DELAY HAS EXPIRED. "HT2" WILL BE SHOWN ON DISPLAY AT ALL TIMES.
- FOR HEAT PUMP SYSTEMS, "Y1" AND "O" TERMINALS MUST BE CONNECTED TO THE ROOM THERMOSTAT. FOR TWO STAGE UNITS, "Y1", "Y2", AND "O" TERMINALS MUST ALL BE CONNECTED TO THE ROOM THERMOSTAT.
- FOR TWO STAGE SYSTEMS, USE "Y1" FOR LOW SPEED AND "Y2" FOR HIGH SPEED CONNECTION TO THE LOW-VOLTAGE TERMINAL BLOCK. SINGLE STAGE SYSTEMS USE "Y1" FOR THE CONNECTION TO THE LOW-VOLTAGE TERMINAL BLOCK.
- THE INDOOR BLOWER MOTOR AIRFLOW TABLES ARE LOCATED IN THE SERVICE FACTS. TO CHANGE AIRFLOW USE THE MENU/OPTIONS BUTTONS.
- FLAME SENSE TEST PADS: 1 VDC ≈ 1 MICROAMP. FLAME CURRENT CAN VARY DEPENDING ON THE VOM THAT IS USED AND THE VOLTAGE SUPPLIED TO THE FURNACE. THE ACCEPTABLE RANGE IS 0.75-3 MICROAMPS.
- LINE CHOKE AND WIRE BK/28 ONLY USED ON MODELS WITH 3/4 AND 1 HP MOTORS.
- DOWNFLOW MODELS USE ONLY ONE REVERSE AIRFLOW SWITCH.
- CONNECTION MAY OR MAY NOT BE PRESENT. IF CONNECTION IS NOT PRESENT, WIRES 33 AND 34 WILL NOT BE USED.

S9X2

2 Stage Inducer with CTM Blower Motor

Status Codes	Id	Inter-Stage Delay (sec)	E34	Open Pressure Switch, 2nd Stage
IDL Idle	COF Blower Tap Number for Continuous Fan		E04	Open Thermal Limit, Rollout Switch, or Reverse Airflow Switch
HT1 1st Stage Heating	COF C 1 Blower Tap for 1st Stage Compressor Mode C 2 Blower Tap for 2nd Stage Compressor Mode		E05	Flame detected, should not be present
HT2 2nd Stage Heating			E61	Voltage reversed polarity
BP Blower Tap Number			E62	Bad Grounding
COF Continuous Fan			E63	(1) Igniter relay fails (2) Igniter open
CL1 1st Stage Cooling	HTP H 1 Blower Tap for 1st Stage Heating		E71	1st stage gas valve (MVL) is energized when it should be off
CL2 2nd Stage Cooling	H 2 Blower Tap for 2nd Stage Heating		E08	Flame current is low, but still strong enough to allow operation.
HP1 1st Stage Heat Pump	Run Run Test Mode		E09	Open Inducer Limit Switch or Condensate Switch
HP2 2nd Stage Heat Pump	Error Codes		E11	(1) 1st stage gas valve not energized when it should be (2) 1st stage gas valve relay stuck closed (3) 2nd stage gas valve relay stuck closed (4) 2nd stage gas valve energized when it should not be (5) 2nd stage gas valve not energized when it should be
dFE Defrost Mode	E01 Loss of the IRQ/other internal failures		E12	Open fuse
Menu Options	E21 Retry exceeded (Failed to est flame)			
Err Active Alarm Menu	E22 Recycles exceeded (loss of established flame) or 10X PS1 open			
L6F Last 6 Faults (To Clear, Hold Option Button 5 sec)	E23 1st Stage Gas Valve not energized when it should be exceeded after 10 times			
Cr Code Release Number	E31 Shorted Pressure Switch, 1st Stage			
COd Cooling Off Delay (sec)	E32 Open Pressure Switch, 1st Stage			
ODU Outdoor Unit	E33 Shorted Pressure Switch, 2nd Stage			
HOd Heat Off Delay (sec)				



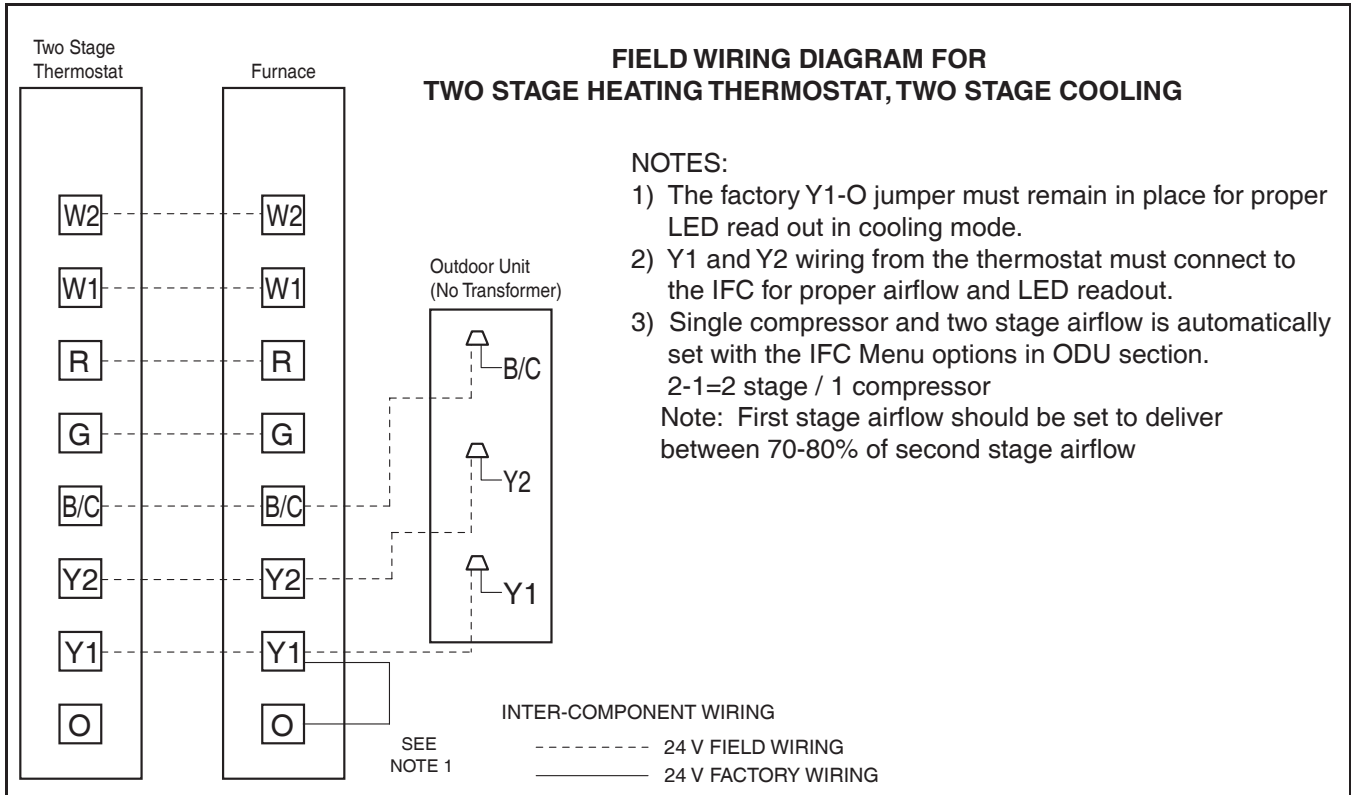
D346024P01



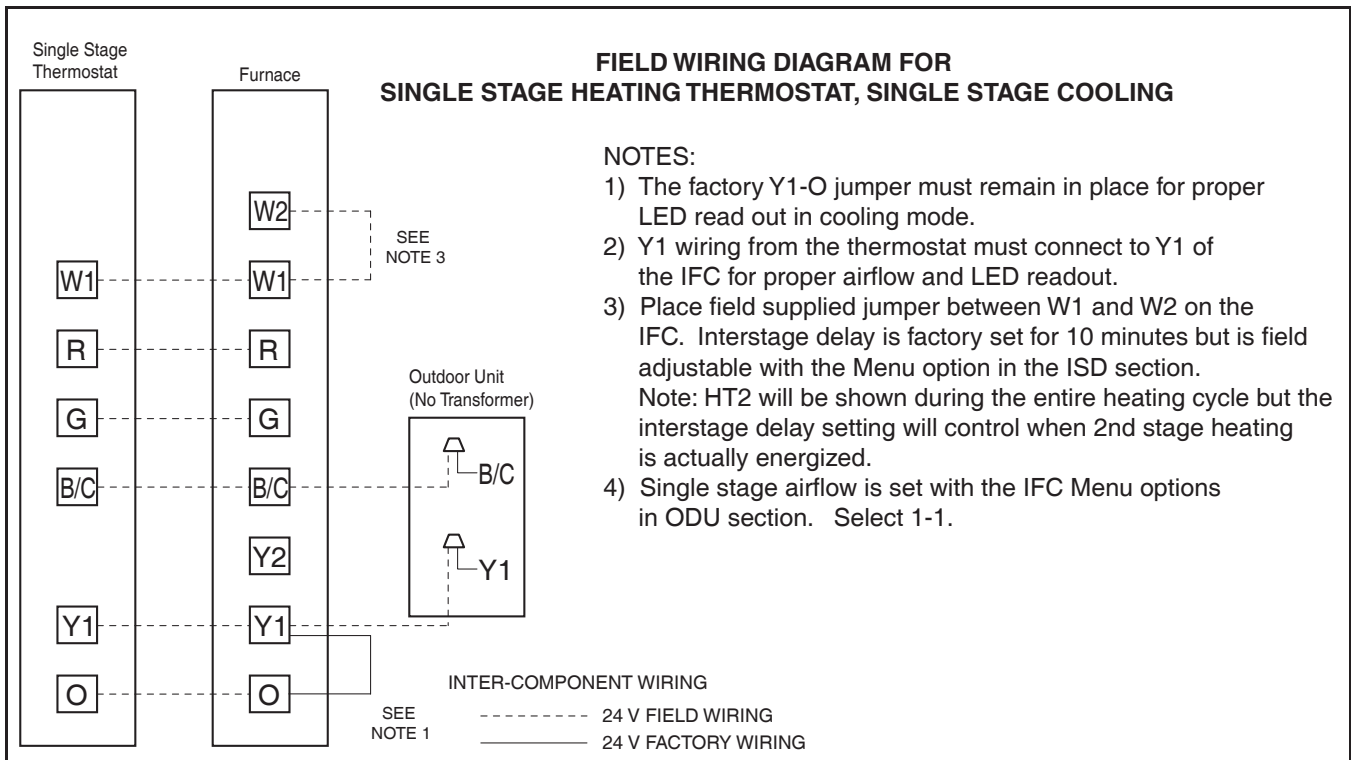
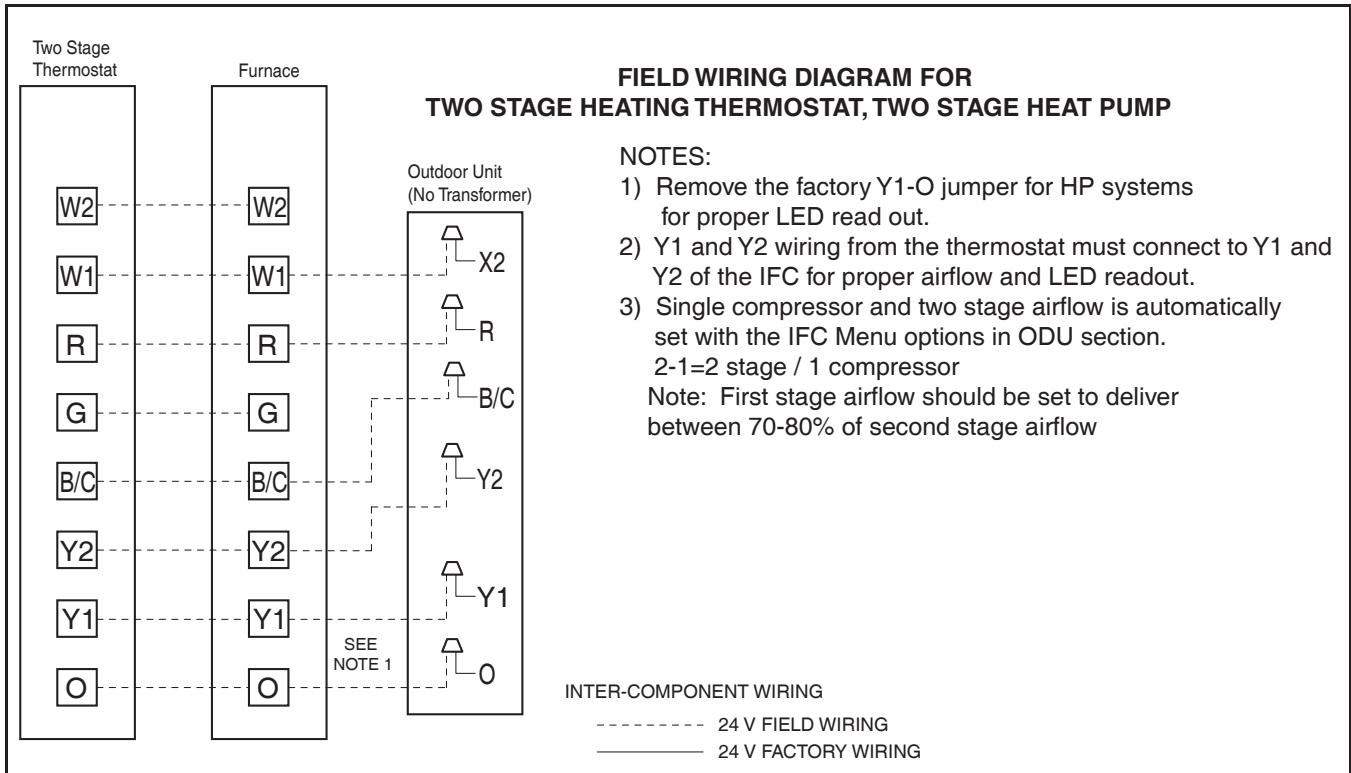
Electrical Connections

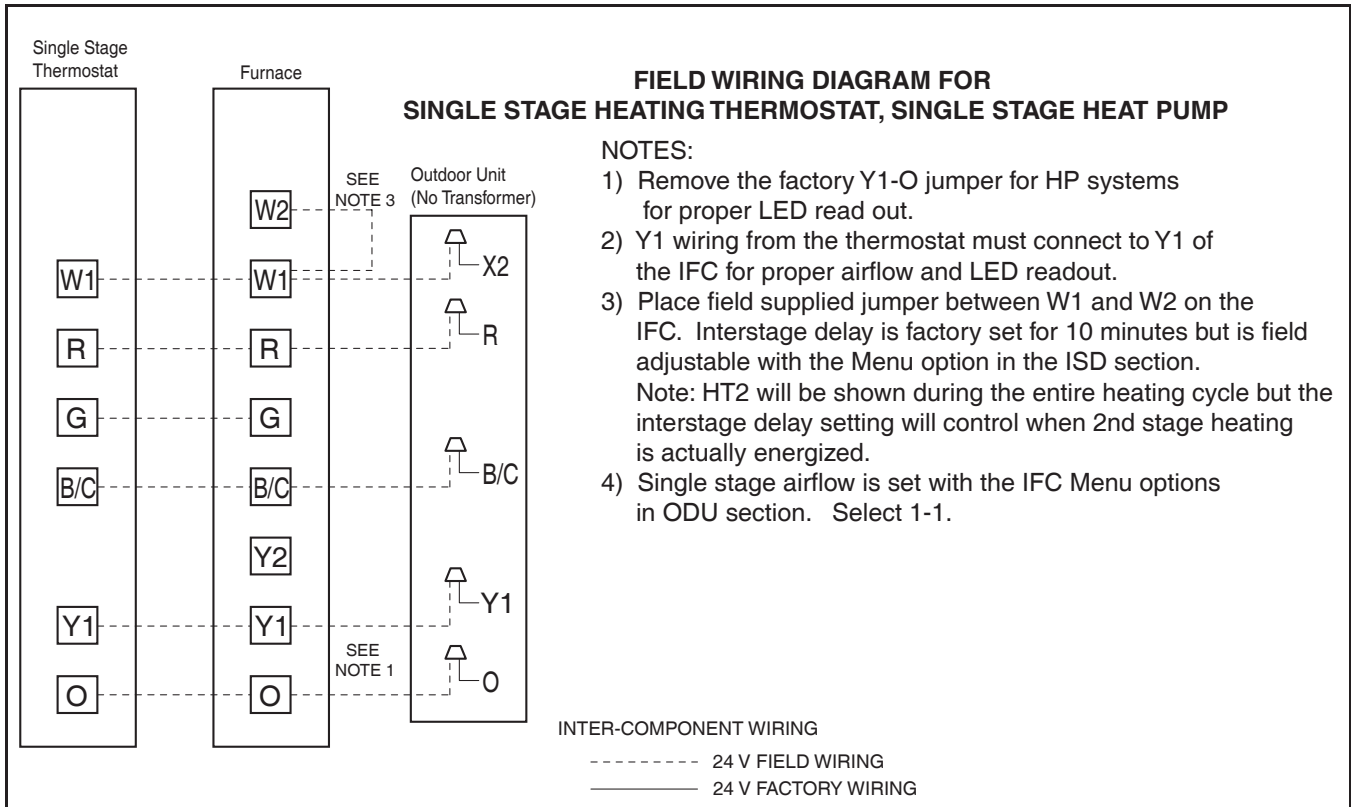
Make wiring connections to the unit as indicated on enclosed wiring diagram. As with all gas appliances using electrical power, this furnace shall be connected into a permanently live electric circuit. It is recommended that furnace be provided with a separate "circuit protection device" electric circuit. The furnace must be electrically grounded in accordance with local codes or in the absence of local codes with the National Electrical Code, ANSI/NFPA 70 or CSA C22.1 Electrical Code, if an external electrical source is utilized. **The integrated furnace control is polarity sensitive.** The hot leg of the 120V power supply must be connected to the black power lead as indicated on the wiring diagram. Refer to the SERVICE FACTS literature and unit wiring diagram attached to furnace.

Field Wiring

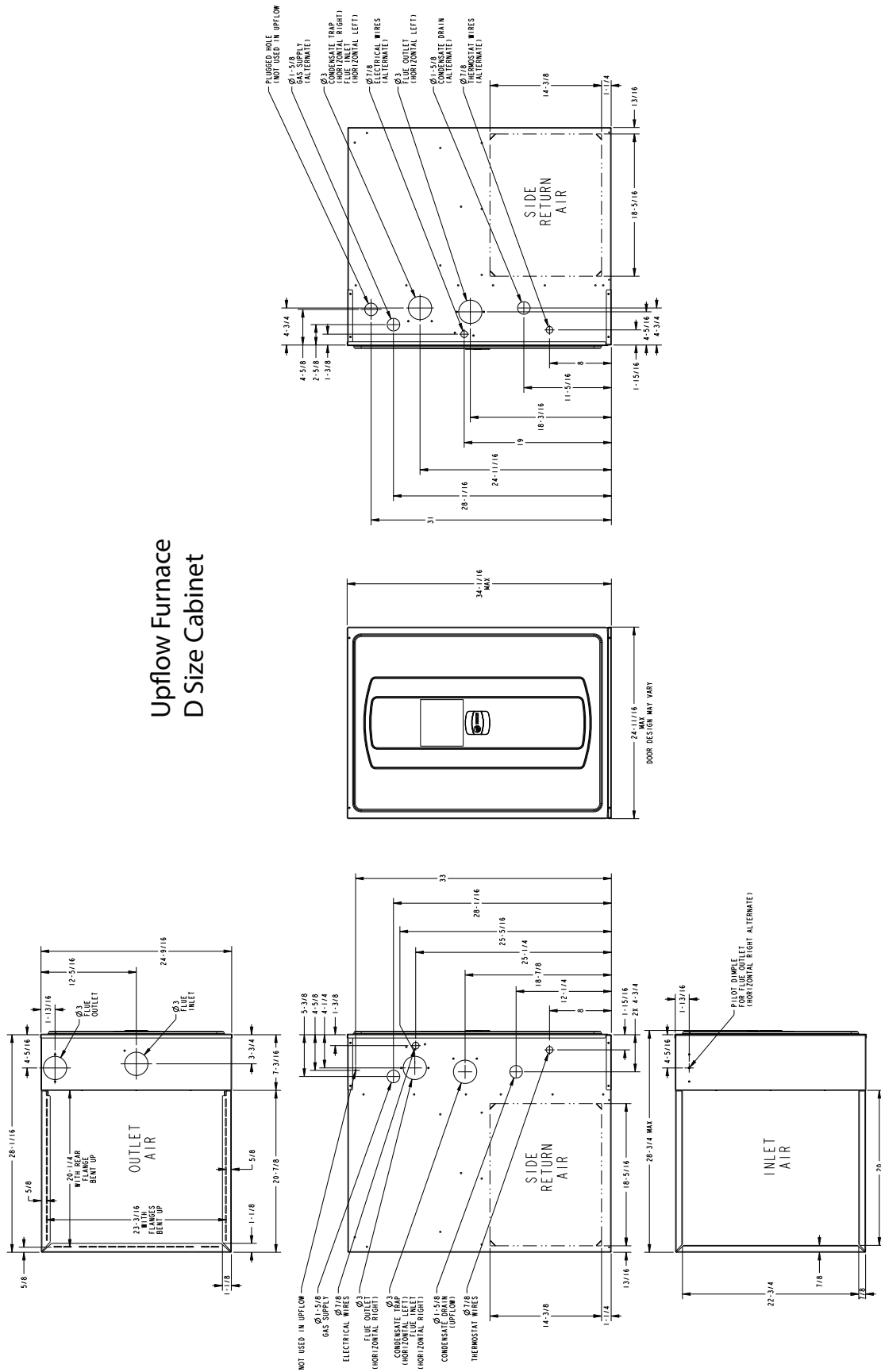


Electrical Connections

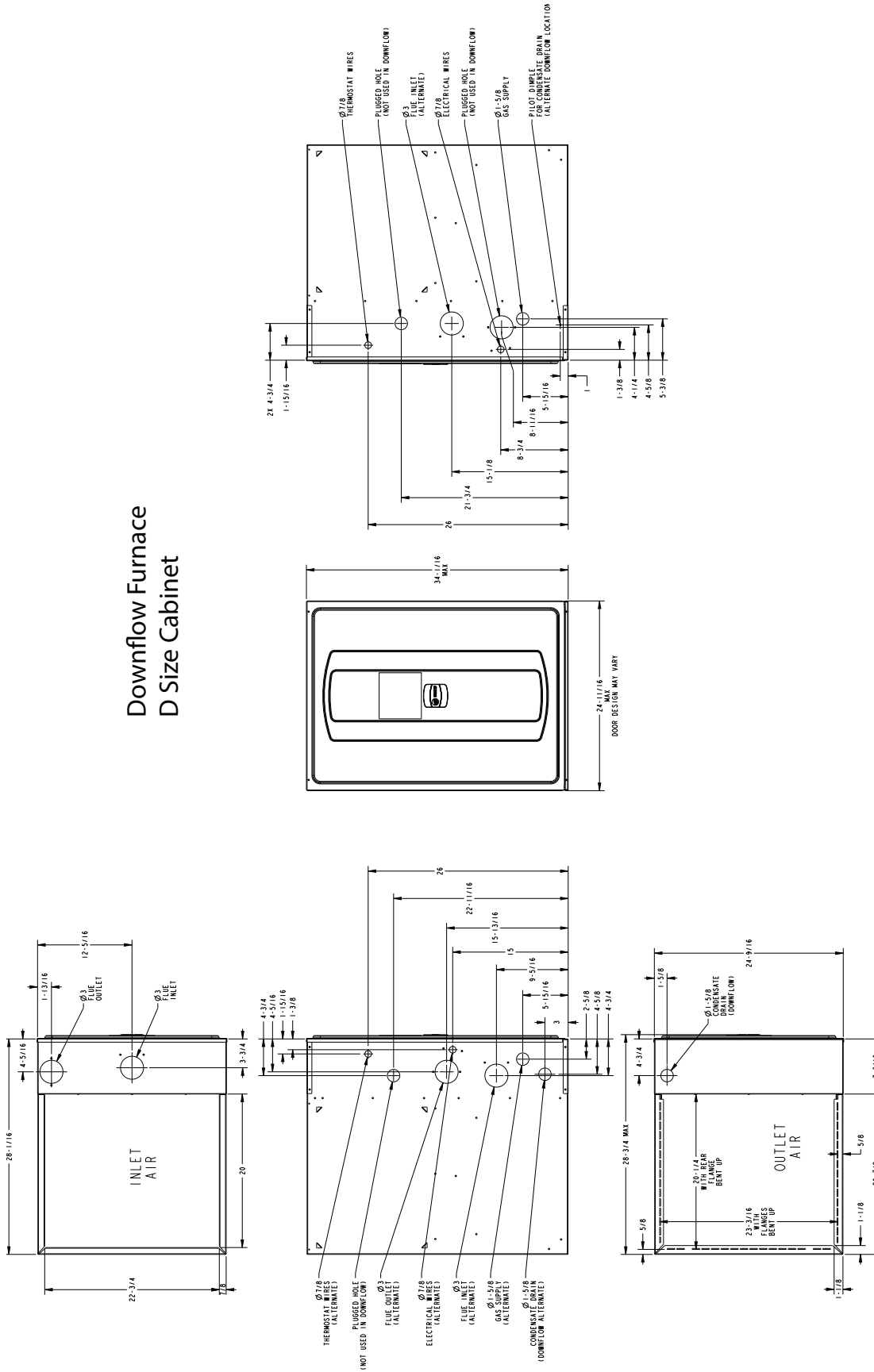




Upflow Furnace D Size Cabinet



Downflow Furnace D Size Cabinet





Ingersoll Rand (NYSE: IR) advances the quality of life by creating comfortable, sustainable and efficient environments. Our people and our family of brands — including Club Car®, Ingersoll Rand®, Thermo King® and Trane® — work together to enhance the quality and comfort of air in homes and buildings; transport and protect food and perishables; and increase industrial productivity and efficiency. We are a global business committed to a world of sustainable progress and enduring results.



ingersollrand.com



Ingersoll Rand has a policy of continuous product and product data improvements and reserves the right to change design and specifications without notice.
We are committed to using environmentally conscious print practices.