

Specifications



PF644 PVC CABLE DRAIN & OVERFLOW

Product Features

- Finish applies to trim only
- Use 1-1/2" Sch. 40 tube connection
- Includes trim kit - less piping.
- PVC construction for tubs 17" - 22" in depth.
- Designed for concealed installations
- Cable length: 27".
- cUPC/IAPMO listed

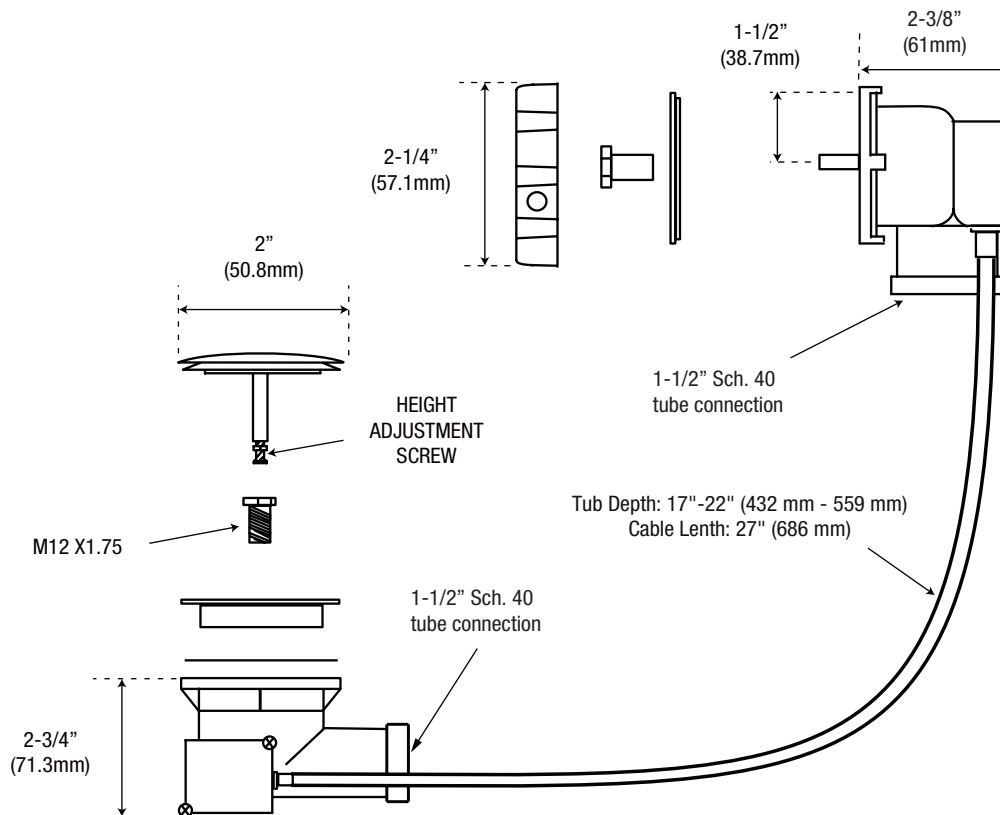
Model Numbers:

PF644CP Chrome
PF644ZBN PVD brushed nickel



PF644ZBN

Product Specifications



* All measurements are nominal. Please verify before actual installation.

Warranty and Codes

This product comes complete with installation, operating, care and maintenance instructions. This PROFLO product carries a 5-year limited warranty.

©2022 Ferguson Enterprises, LLC. FG 10/2022



FERGUSON.COM/PROFLO