

Specifications

PF121 series

Soap/Lotion Dispenser



Product Features

- Brass plug, nut & flange
- Plastic bottle & tube
- Top lifts off for easy refill
- Requires 1-1/4" to 1-11/16" (31.75mm to 42.86mm) through hole
- Bottle holds 12 fl. oz. (0.354L)
- 2" (50.8mm) max thickness counter/sink

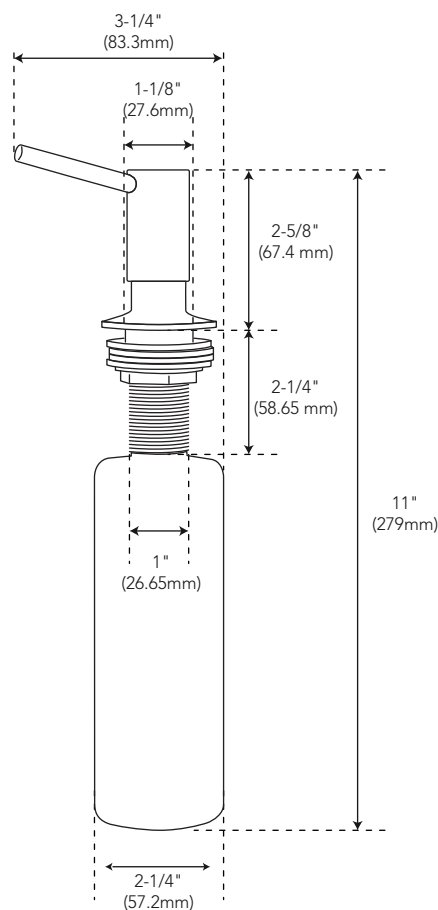
Model Numbers

PF121CP	Chrome
PF121ZBN	PVD Brushed nickel
PF121ORB	Oil Rubbed Bronze
PF121MB	Matte black



PF121ORB

Product Specifications



* All measurements are nominal. Please verify before actual installation.

Warranty and Codes

This PROFLO product carries a limited lifetime warranty in residential applications. Warranty is 5 years in commercial applications.