

## Specifications

# PF702ZBN

## DIVERTER TUB SPOUT



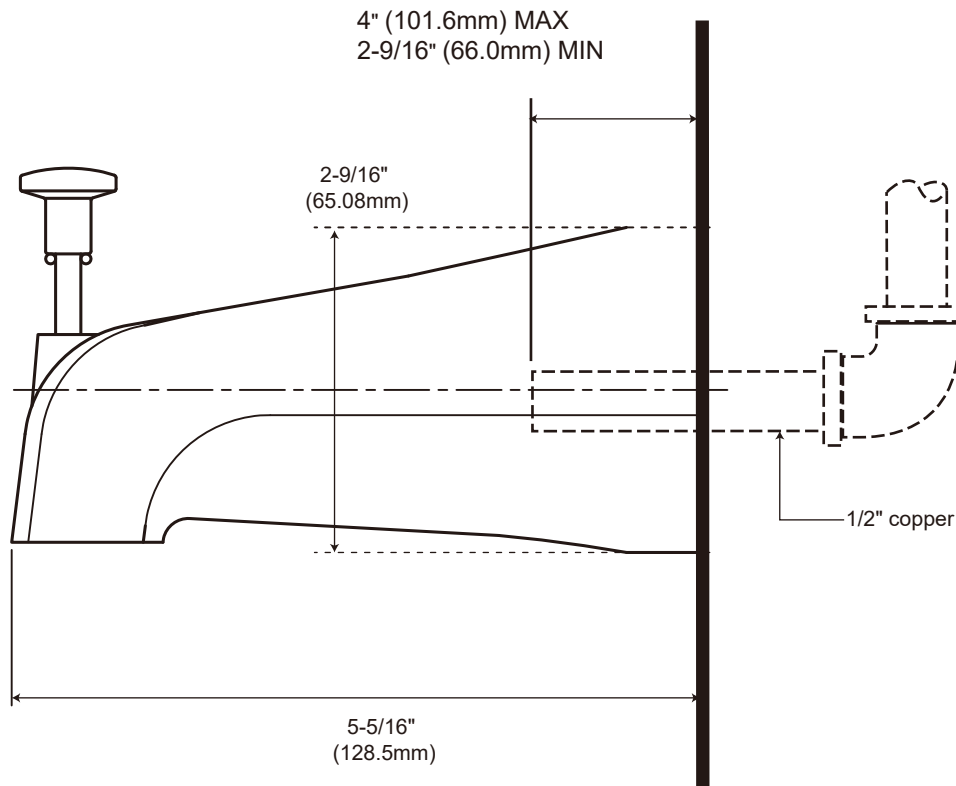
### Product Features

- 1/2" (5/8"OD) CTS Slip fit connector
- Material : Zinc alloy
- Pull up diverter
- Meets ASME A112.18.1
- cUPC/IAPMO listed



PF702ZBN

### Product Specifications



\* All measurements are nominal. Please verify before actual installation.

### Warranty and Codes

This product comes complete with installation, operating, care and maintenance instructions. This PROFLO product carries a 1-year limited warranty. This product meets ASME: A112.18.1.

