

CALVERTON

PULL-OUT KITCHEN FAUCET WITH -OR- WITHOUT BASE PLATE

SKU: 948398



FEATURES

- Non-Kink Nylon Hose.
- Optional Deck Plate Included.
- 3-Function Sprayer-stream, Full Spray and Pause.
- Diverts From Spray to Stream Without Shutting Off Water.
- 60 psi.

SIGNATURE HARDWARE Lifetime Warranty

See website for detailed warranty information.

CONTENTS

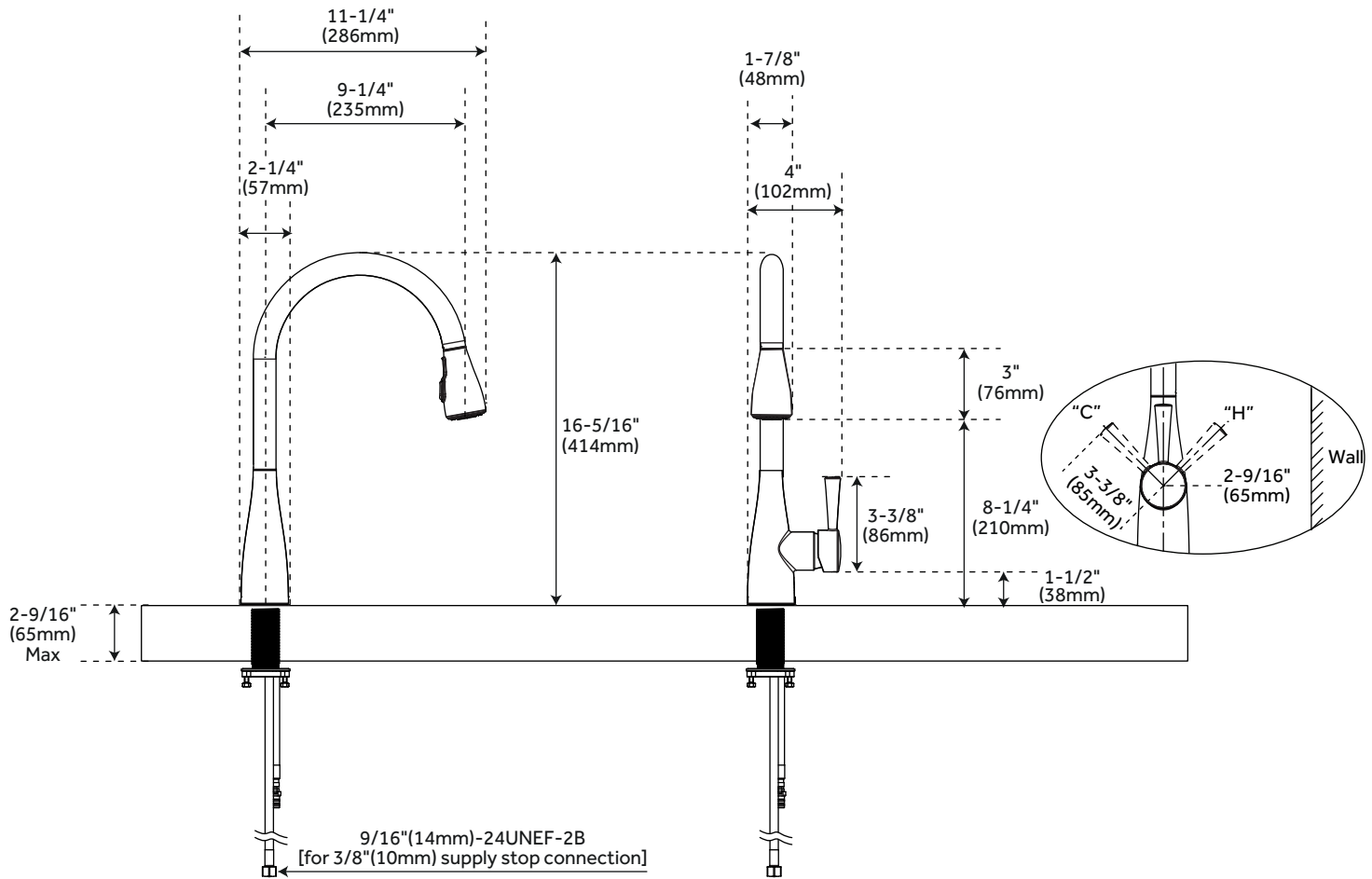
FAUCET WITHOUT BASEPLATE	PAGE 2
FAUCET WITH BASEPLATE	PAGE 3

REVISED 01/14/2020

CALVERTON

PULL-OUT KITCHEN FAUCET WITHOUT BASE PLATE

SKU: 948398



FEATURES

Installation Type: Single-Hole
 Faucet Holes: 1
 Material: Brass
 Faucet Centers: Single-Hole
 Handle Type: Lever
 Features: ADA Compliant, Pull-Out
 Design: Modern
 Faucet Material: Brass
 Length: 4"
 Width: 11-1/4"
 Height: 16-5/16"
 Height To Spout: 8-1/4"
 Spout Reach: 9-1/4"
 Swivel Spout: Yes
 Base Plate Length: NA
 Base Plate Width: NA
 Handle Length: 3-3/8"
 Ceramic Disc Cartridges: Yes
 Maximum Flow Rate: 1.8 gpm (6.8L/min)
 max @ 60 psi

CODES/STANDARDS

cUPC
 ASME A112.18.1/CSA B125.1
 ICC/ANSI A117.1 (when installed
 according to ADA standards)
 NSF/ANSI 61
 NSF/ANSI 372
 CEC Listed
 CALGreen
 Massachusetts Accepted



SIGNATURE HARDWARE LIFETIME WARRANTY

See website for warranty information

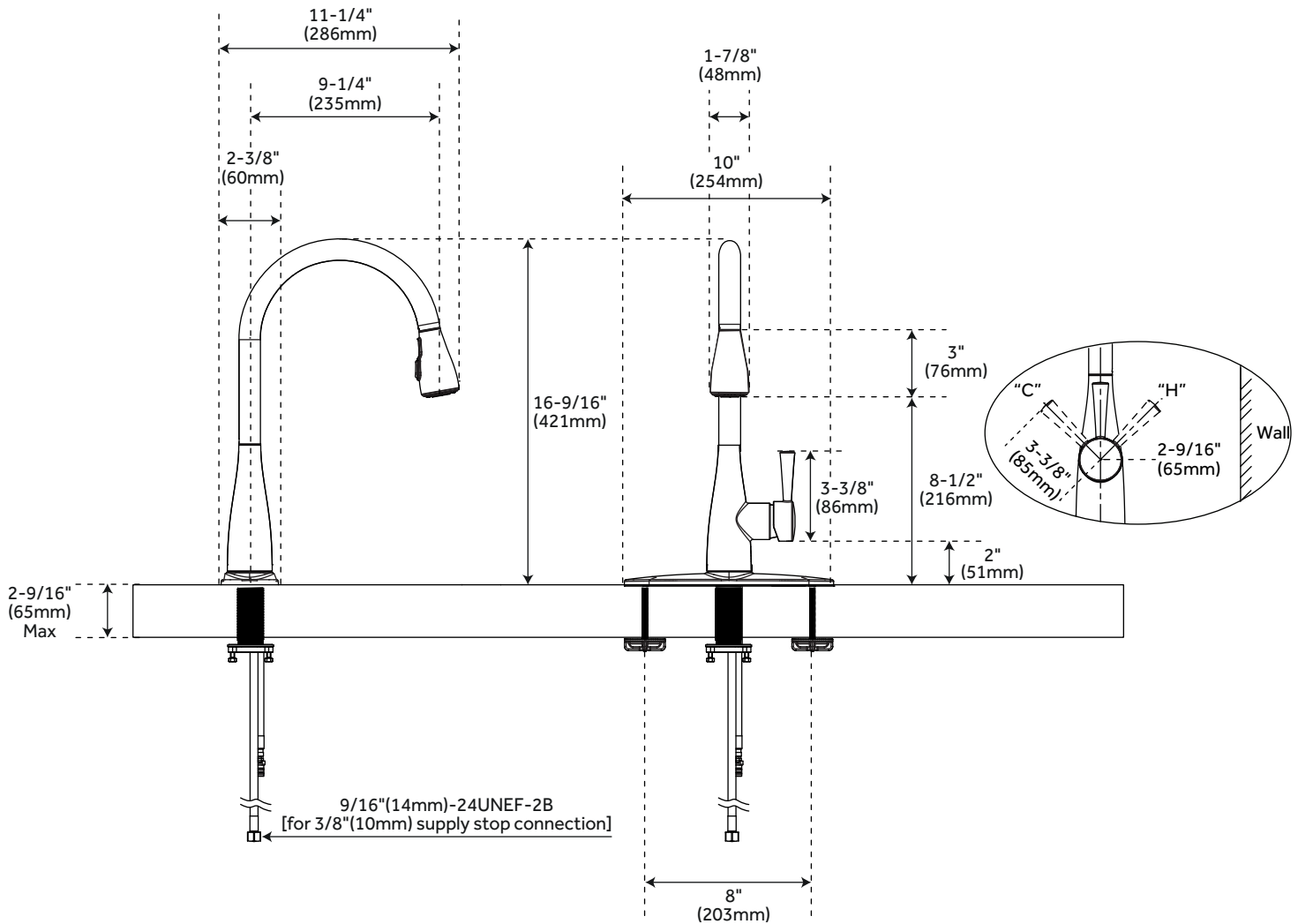


All dimensions and specifications are nominal and may vary. Use actual products for accuracy in critical situations.

CALVERTON

PULL-OUT KITCHEN FAUCET WITH BASE PLATE

SKU: 948398



FEATURES

Installation Type: Single-Hole
 Faucet Holes: 1
 Material: Brass
 Faucet Centers: Single-Hole
 Handle Type: Lever
 Features: ADA Compliant, Pull-Out
 Design: Modern
 Faucet Material: Brass
 Length: 10"
 Width: 11-1/4"
 Height: 16-9/16"
 Height To Spout: 8-1/2"
 Spout Reach: 9-1/4"
 Swivel Spout: Yes
 Base Plate Length: 10"
 Base Plate Width: 2-3/8"
 Handle Length: 3-3/8"
 Ceramic Disc Cartridges: Yes
 Maximum Flow Rate: 1.8 gpm (6.8L/min)
 max @ 60 psi

CODES/STANDARDS

cUPC
 ASME A112.18.1/CSA B125.1
 ICC/ANSI A117.1 (when installed
 according to ADA standards)
 NSF/ANSI 61
 NSF/ANSI 372
 CEC Listed
 CALGreen
 Massachusetts Accepted



SIGNATURE HARDWARE LIFETIME WARRANTY

See website for warranty information



All dimensions and specifications are nominal and may vary. Use actual products for accuracy in critical situations.

PAGE 3
 CODE: SHXCCA100MCP/SHXCCA100MORB
 SHCCA100MSS