

MERCURY^{by} AGA

36" Dual Fuel Range AMC36DF

With gleaming stainless steel accents and a lustrous finish, nothing is more sublime for modern kitchen design than the AGA Mercury. A true European mastery of cooking, its performance parallels in quality for a cooking experience that satisfies your eye as well as your palate.

Oven Features

7-mode multifunction oven with European dual-convection cooking, fan-assisted baking, browning, thaw and serve, convection broiling, warming and conventional cooking

- Spacious 4.5 cu. ft. oven capacity
- Three heavy-duty telescoping glide-out oven racks
- Dual broiler system
- EasyClean™ surface with black enamel interior

Cookware accessories include:

- Two roasting tins rest in the telescoping shelf and slide out with ease
- Adjustable full-width broiler pan with trivet is ideal for broiling large batches and grilling many cuts of meat

Cooktop Features

5 sealed solid brass burners make clean-up easy and prevent messy spills from reaching the interior

- Porcelain enamel finish cast iron flame spreaders provide superb heat distribution and retention
- Powerful 17,000 BTU center burner for large pots, rapid boiling and wok cooking
- Three 12,000 BTU burners
- One 6,000 BTU simmer burner can be dialed down to 1,200 BTU
- All burners designed with thermocouple safety mechanism

Continuous cast iron cooktop to easily slide pots and pans from burner to burner without spilling

- Interlocking grates for secure cooking surface
- Easily removes for cleaning
- Matte finish grates won't discolor

Hi-Fi style knobs for precise temperature control

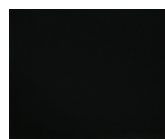
Bottom storage drawer is large enough to hold oven racks



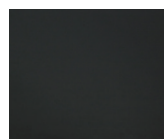
A: 12,000 / 2,400 BTU
B: 12,000 / 2,400 BTU
C: 17,000 / 3,400 BTU
D: 12,000 / 2,400 BTU
E: 6,000 / 1,200 BTU



AMC36DF-SKY
Midnight Sky



AMC36DF-BLK
Gloss Black



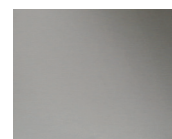
AMC36DF-MBL
Matte Black



AMC36DF-IVY
Ivory



AMC36DF-WHT
White



AMC36DF-SS
Stainless Steel

MERCURY 36" Dual Fuel Range

by **AGA** AMC36DF

General Properties	
Total Oven Capacity	4.5 cu. ft.
Usable Oven Space	28" W x 14" D x 14 1/2" H
Cooking Mode	Multi-function Oven with 7 Cooking Modes
Cleaning Type	EasyClean™ Enamel
Controls	Knobs on fascia
Sealed Burners	Yes

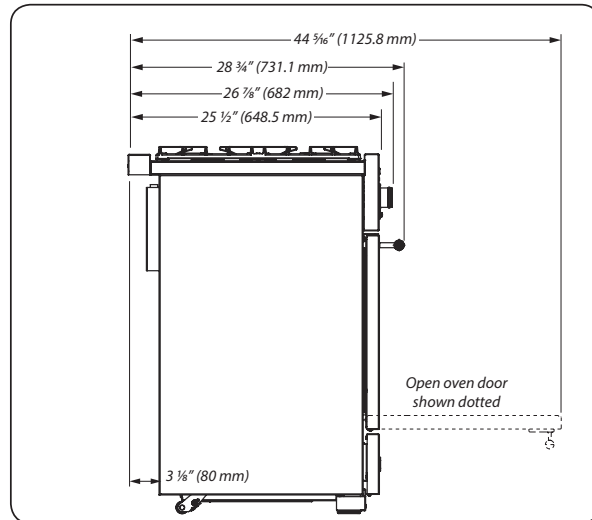
Cooktop Performance	
Cooktop Dimensions	35 1/2" W x 21 3/5" D
Number of Brass Burners	5
Power of Left Front Burner	12,000 BTU High; 2,400 BTU Low
Power of Back Left Burner BTU	12,000 BTU High; 2,400 BTU Low
Power of Center Burner BTU	17,000 BTU High; 3,400 BTU Low
Power of Front Right Burner BTU	6,000 BTU High; 1,200 BTU Low
Power of Back Right Burner BTU	12,000 BTU High; 2,400 BTU Low

Electrical Details	
Circuit Breaker (A)	40A
Volts (V)	240V
Frequency (Hz)	60Hz
Plug Type	4-prong NEMA 14-50P
Power Cord Length	50"
Energy Source	Electric Oven and Gas Cooktop
Gas Type	Natural Gas with LP Conversion Kit included
Alternative Gas Type	Liquid Propane

Dimensions & Weights	
Appliance Dimensions	35 7/16" W x 28 3/4" D x 36" H
Depth with Door Open	44 5/16"
Weight	306 lbs.
Shipping Weight	390 lbs.
Package Dimensions	49 1/4" W x 31" D x 46 1/2" H

Accessories Included	
2 roasting tins	
1 adjustable full-width broiler pan with trivet	1 - LP conversion kit

Warranty	
1 Year Warranty, Entire Appliance, Parts and Labor	



Installation Clearance Dimensions	
A - Gap between side of appliance and adjacent vertical surface ABOVE cooktop level	4 1/2"
B - Gap between side of appliance and adjacent vertical surface BELOW cooktop level	3/16" (U.S.) 1/2" (Canada)
C - Gap between cooktop level and any horizontal combustible surface	31 1/2"
D - Maximum depth of cabinets installed above the top surface cooking sections	13"
E - Minimum distance between horizontal surfaces less than dimension C	35 1/2" (U.S.) 36 3/8" (Canada)
F - Minimum distance between horizontal cabinets and worktop surfaces adjacent to range	18 5/16"

For complete installation instructions, visit aga-ranges.com

