



# PFWSC8871

## ORRS SINGLE HANDLE LAVATORY FAUCET

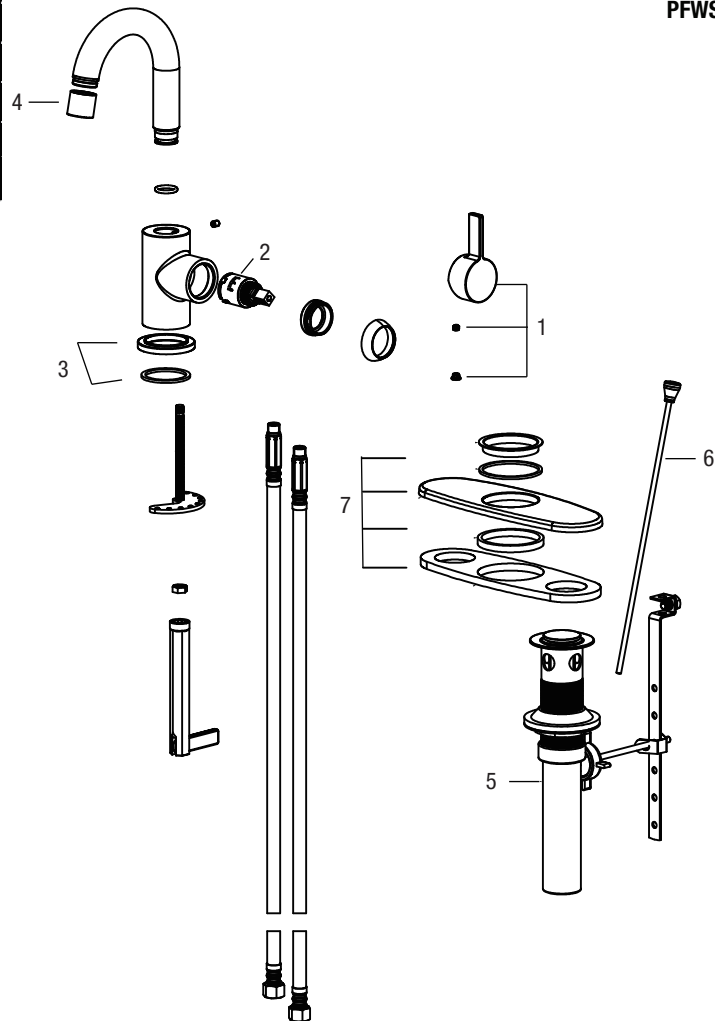
### Model Numbers

- PFWSC8871CP** Chrome
- PFWSC8871ZBN** PVD brushed nickel
- PFWSC8871MB** Matte black



PFWSC8871CP

No.	Item	Part Number	Material Type
1	Handle	OBPF7CTHZ0593*	Zinc Alloy
2	Cartridge	OBPF2ATBA0289	Plastic
3	Flange	OBPF1QBQ0559*	Zinc+ NBR
4	Aerator	OBPF5ATBX0095*	Brass+ Plastic
5	Drain	OBPF9ATAA0062*	Brass+ Plastic
6	Lift & Rod	OBPF9ATBM0025*	Brass
7	Deck plate	OBPF1ATBQ0308*	Brass+ Plastic



### Warranty and Codes

This product comes complete with installation, operating, care and maintenance instructions. This PROFLO faucet carries a limited lifetime warranty when installed in residential applications. The warranty is five years in commercial applications. This product meets ASME: A112.18.1. Compliant with lead content requirements of US Senate Bill S.3874

