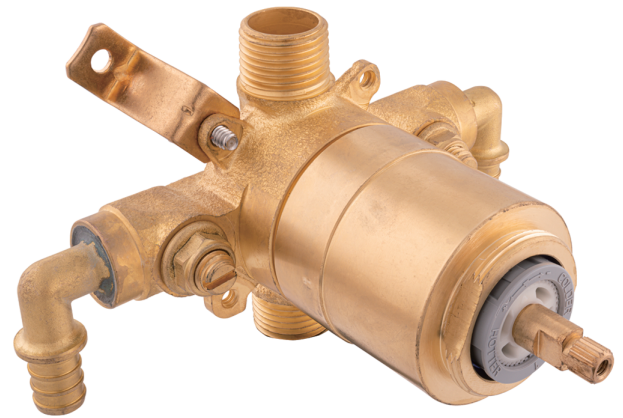


# PF4001P90 / PF4001WP90 ACCUFIT® PRESSURE BALANCE TUB AND SHOWER FAUCET VALVE WITH STOP



## Product Features

- ACCUFIT® Pressure balance valve with integral stops
- One-piece cartridge design for ease of maintenance
- Ceramic Disc Cartridges
- Back-to-back capability
- Cast brass valve body
- Optional air test cap available
- Adjustable temperature limit stop
- Quick remove plaster guard
- Easy mounting brackets



**PF4001P90/ PF4001WP90**

## Optional Accessories/Available Parts

ACF4001AIR	Air test cap
ACF4001EXTBG	Deep rough extension kit BG
ACF4001EXTCP	Deep rough extension kit CP
ACF4001EXTMB	Deep rough extension kit MB
ACF4001EXTORB	Deep rough extension kit ORB
ACF4001EXTPN	Deep rough extension kit PN
ACF4001EXTZBN	Deep rough extension kit BN
ACF4001GRD2	Plaster guard
ACF4001STOP	Stop valve
ACF4001UCRT	Replacement cartridge assembly

## Codes and Certifications



- Certified to ASME A112.18.1 / CSA B125.1
- cUPC/IAPMO listed
- Meets or exceeds ASSE 1016-P standards (anti-scald)

## Product Specifications

PF4001P90	Ceramic disc tub and shower valve with stops PEX ASTM F1807 crimp connector.
PF4001WP90	Ceramic disc tub and shower valve with stops PEX ASTM F1960 Uponor (Wirsbo) connector.

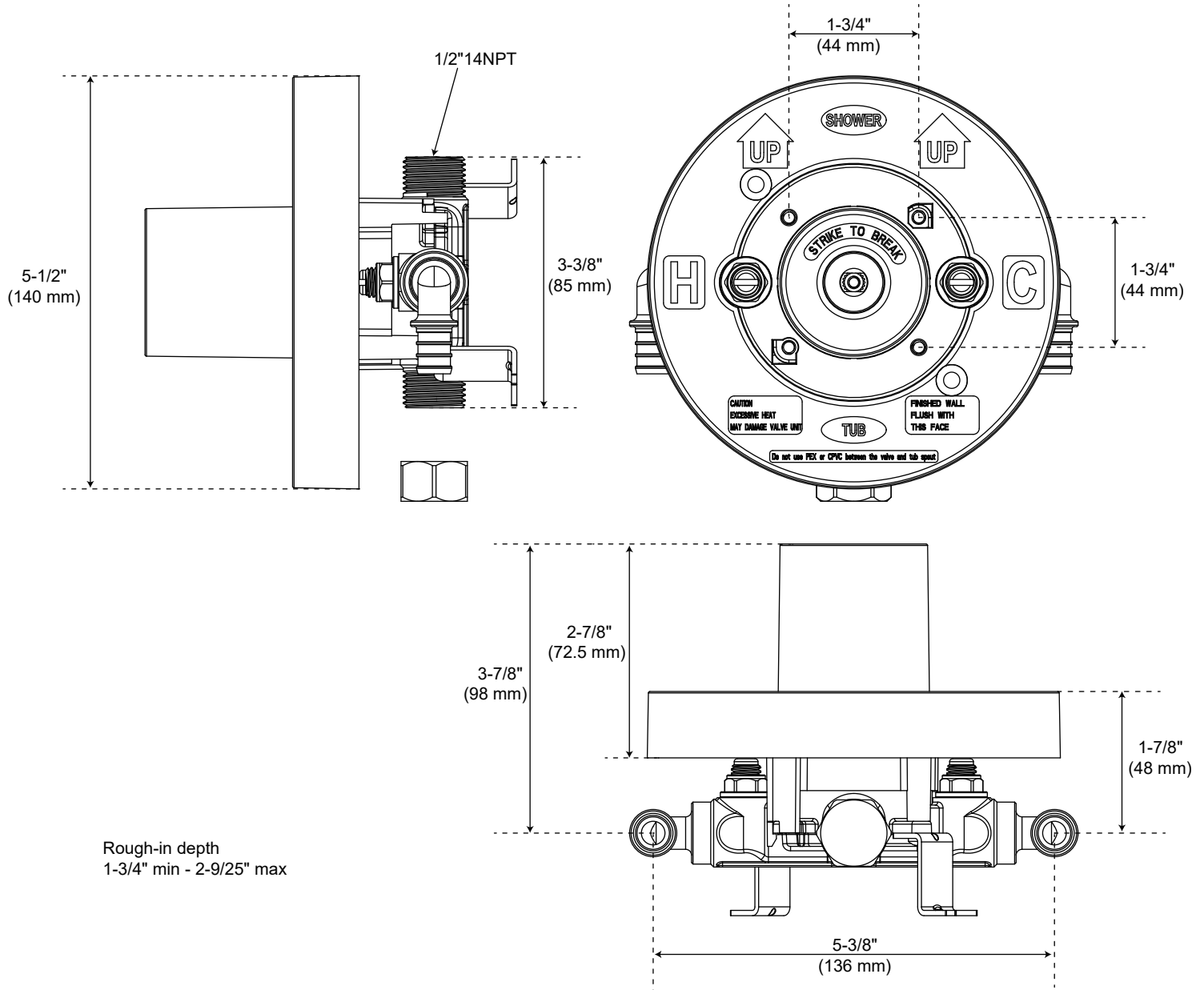
## Flow Rates (Gallons per minute)

Pressure (psi)	20 psi	40 psi	60 psi	80 psi
Rate (gpm)	3.17	4.49	5.55	6.34

All product traffic data is an average

For detailed warranty information, visit [ferguson.com/proflo-faucet-warranty](https://ferguson.com/proflo-faucet-warranty).

**PF4001P90 / PF4001WP ACCUFIT®  
PRESSURE BALANCE TUB AND SHOWER  
FAUCET VALVE WITH STOP**



For detailed warranty information, visit [ferguson.com/proflo-faucet-warranty](https://ferguson.com/proflo-faucet-warranty).