

STERLING®

A KOHLER COMPANY

WINDHAM™

Features

- Vitreous china
- Available in round and elongated bowls
- 5-year limited warranty
- Flushes efficiently regardless of incoming water pressure
- Three-bolt, quick-connect installation system
- Less seat and supply
- 14" (35.6 cm) rough-in
- 1.6 gpf (6 lpf)
- 2" (5.1 cm) glazed trapway
- 8" (20.3 cm) x 9" (22.9 cm) water area
- 29-1/4" (74.3 cm) x 16-7/8" (42.9 cm) x 28-9/16" (72.5 cm) [402014]
- 31-1/4" (79.4 cm) x 16-7/8" (42.9 cm) x 28-9/16" (72.5 cm) [402214]

Codes/Standards Applicable

Specified model meets or exceeds the following:

- ASME A112.19.2/CSA B45.1
- Energy Policy Act of 1992

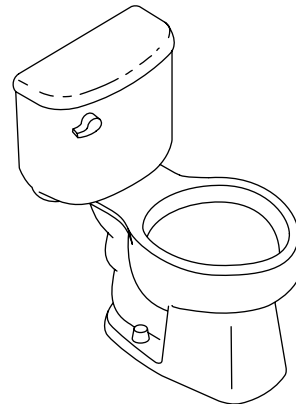
Specified Model

Model	Description	Included Tank	Included Bowl	Colors/Finishes	
402014	Low consumption toilet – round bowl	404514	403015	<input type="checkbox"/> 0	<input type="checkbox"/> Other _____
402214	Low consumption toilet – elongated bowl	404514	403215	<input type="checkbox"/> 0	<input type="checkbox"/> Other _____

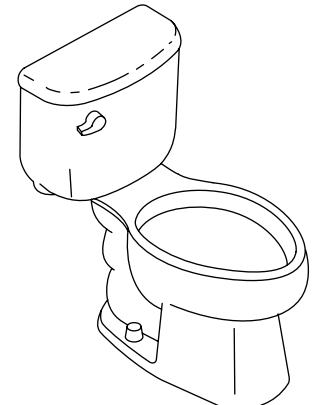
LOW CONSUMPTION TOILET

402014

ALSO 402214



402014



402214

Colors/Finishes

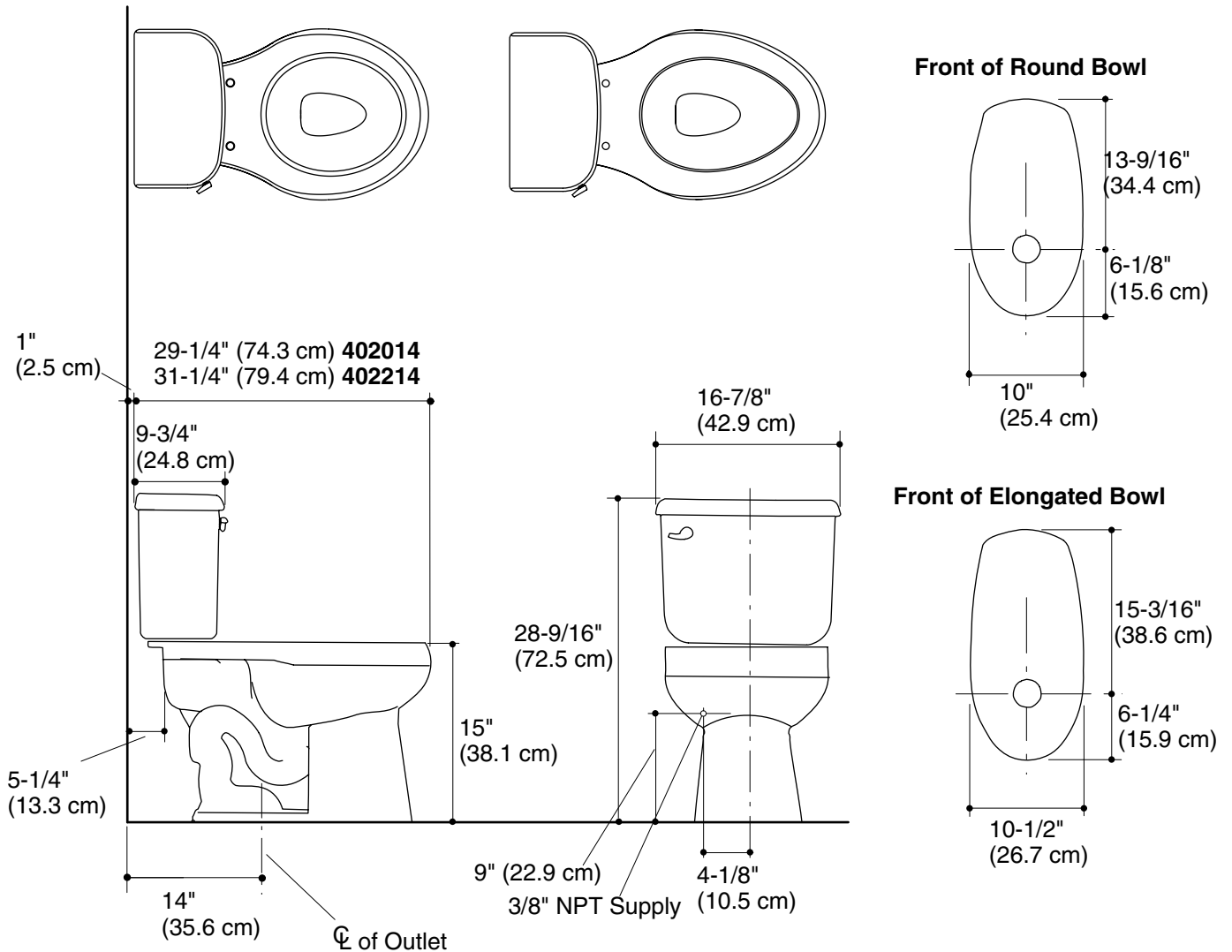
- 0: White
- Other: Refer to Price Book for additional colors/finishes

WINDHAM™

Product Information

Fixture:	
Configuration	two-piece
Water per full flush	1.6 gallons (6 L)
Passageway	2" (5.1 cm)
Water area	8" (20.3 cm) x 9" (22.9 cm)
Seat post hole centers	5-1/2" (14 cm)

Included components:	
Round bowl OR	403015
Elongated bowl	403215
Tank	404514
Tank cover	85205
Trip lever	84625
Tank accessory pack	84581
Bolt cap accessory pack	1013092



Product Diagram