



HOLLYN PUSH-BUTTON SHOWER VALVE

BEFORE YOU BEGIN

We recommend consulting a professional if you are unfamiliar with installing plumbing fixtures. Signature Hardware accepts no liability for any damage to the plumbing, floor, walls, tub, or for personal injury during installation.

Observe all local plumbing and building codes.

Unpack and inspect the item for shipping damage. If any damage is found, contact our Customer Relations team at 1-866-855-2284.

GETTING STARTED

- Ensure that you have gathered all the required materials that are needed for the installation.
- For the following installation instructions, it is assumed that the wall has been opened and that the existing shower set has been removed.
- Before you begin, the main water supply to your home should be shut off.

TOOLS AND MATERIALS:



Plumbers
Tape



Tape Measure



Phillips
Screwdriver



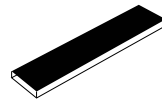
Adjustable
Wrench



Drill



Hex Wrench



Wood Blocking



Soldering Kit
(for copper pipe)



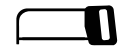
1/2" Test Plug



Level



Pencil or
Marker



Hacksaw

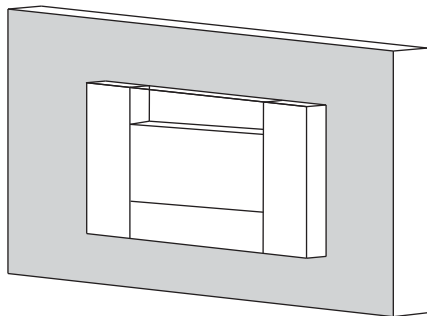


HOLLYN PUSH-BUTTON SHOWER VALVE

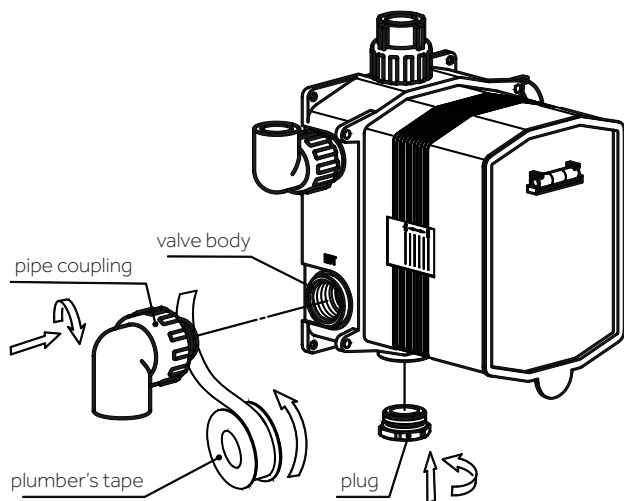
INSTALLATION

1. To prepare for installation, wood blocking should be installed between the two studs where the valve will mount. Be careful not to set the valve too far back into the wall. Use the sticker on the side of the valve for guidance.

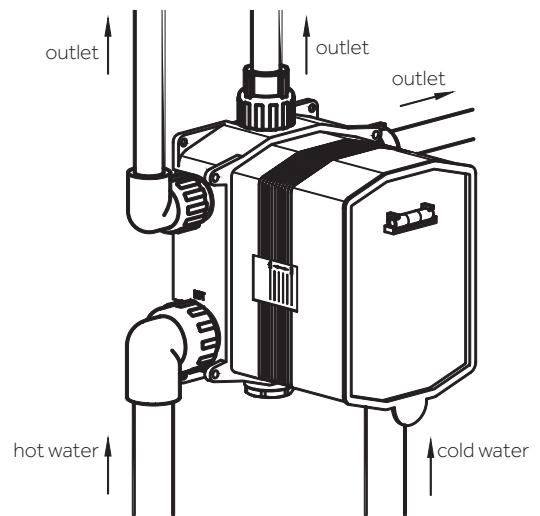
Important: Take into consideration the thickness of the finished wall materials, such as tile, when calculating measurements.



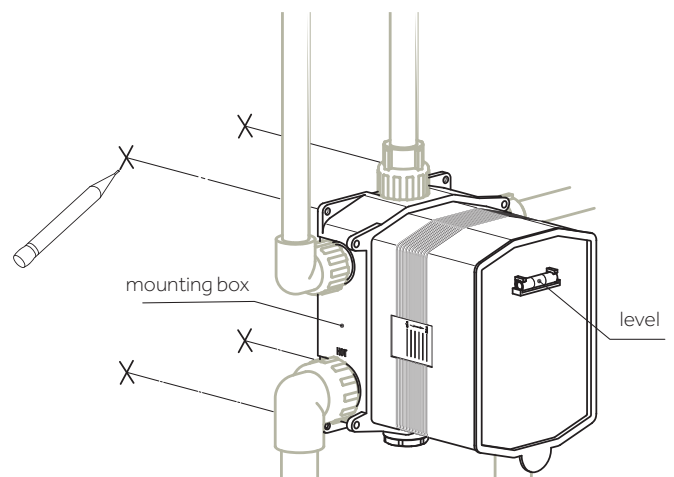
2. Apply plumber's tape or thread sealant to the threads of the pipe couplings. Screw the pipe couplings into the valve body, as shown.



3. Connect all inlet and outlet pipes as shown in the diagram below.



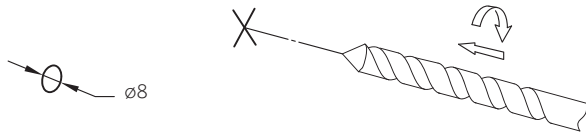
4. Hold the valve up to its desired installation location. Use the level on the mounting box to ensure it is straight, then mark the location of the valve's mounting holes as shown below.



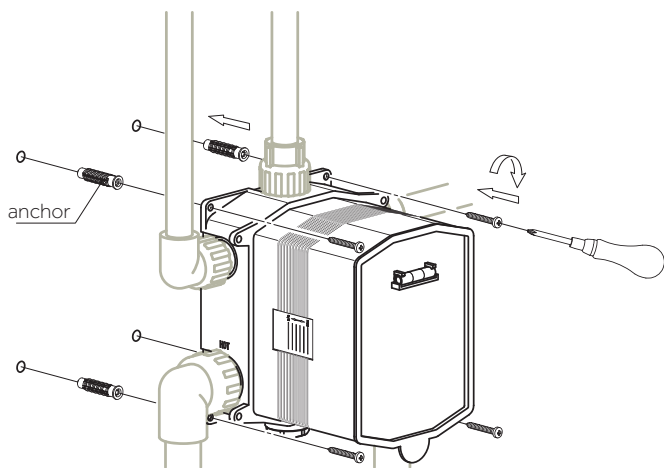


HOLLYN PUSH-BUTTON SHOWER VALVE

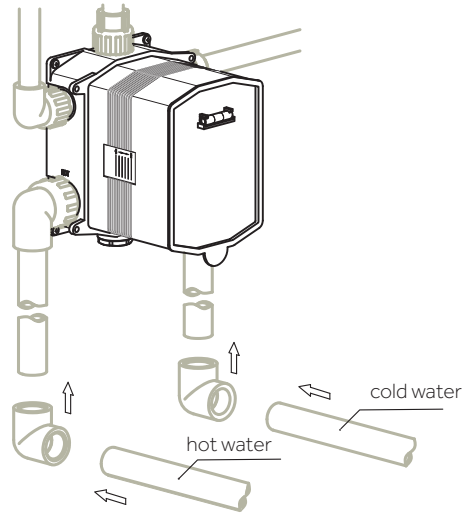
5. At each of the four marked mounting hole locations, drill an 8mm diameter hole.



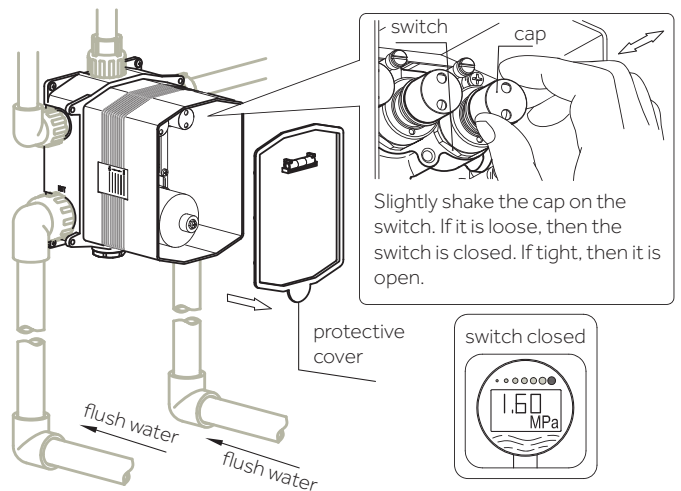
6. Insert an anchor into each of the four drilled mounting holes, then affix the valve to the wall using self-tapping screws. Use the level on the mounting box to ensure the valve remains straight.



7. Connect the hot and cold water feed lines to the installed valve.



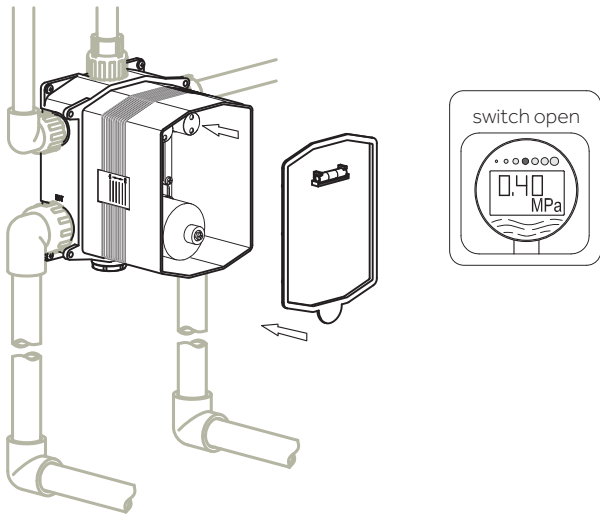
8. Remove the protective cover and turn off the switch. Flush the water lines and check for leaks.





HOLLYN PUSH-BUTTON SHOWER VALVE

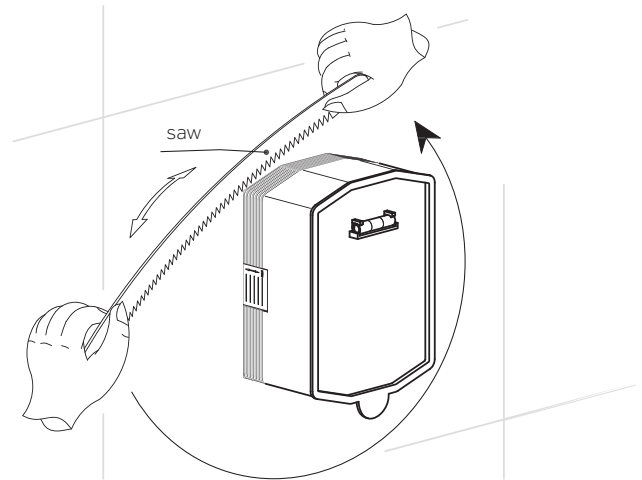
9. Plug the outlets and turn the switch on. Check the pressure and ensure that there are no leaks. Then, replace the protective cover that was removed in step 8.



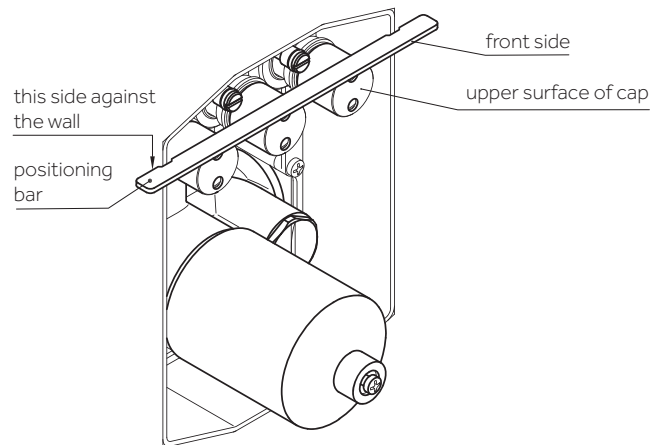
IMPORTANT: COMPLETE THE CONSTRUCTION OF YOUR WALL, INCLUDING ANY FINISHED WALL MATERIALS SUCH AS TILE, BEFORE PROCEEDING WITH THE REMAINDER OF THE INSTALLATION.



10. Once the finished wall is complete, use a hacksaw to cut the protective plastic cover from the valve, as shown. Be very careful not to damage valve components.



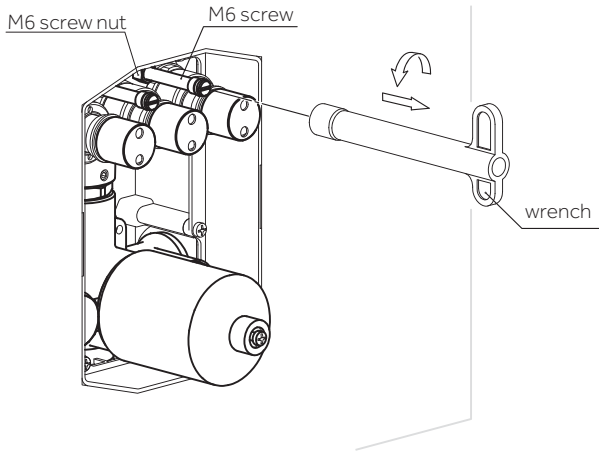
11. Ensure that the switch is open. Place the positioning bar against the wall as shown. If the upper surface of the cap is lower than or even with the front side of the positioning bar, follow steps 12-14 then proceed to step 17. If it extends beyond the positioning bar, do as shown in steps 15 & 16.



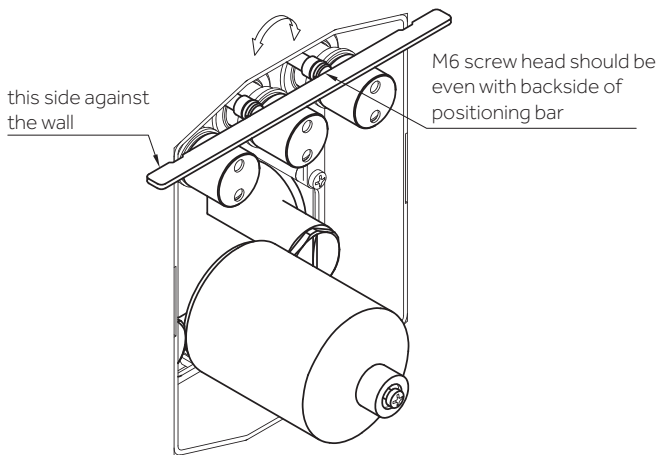


HOLLYN PUSH-BUTTON SHOWER VALVE

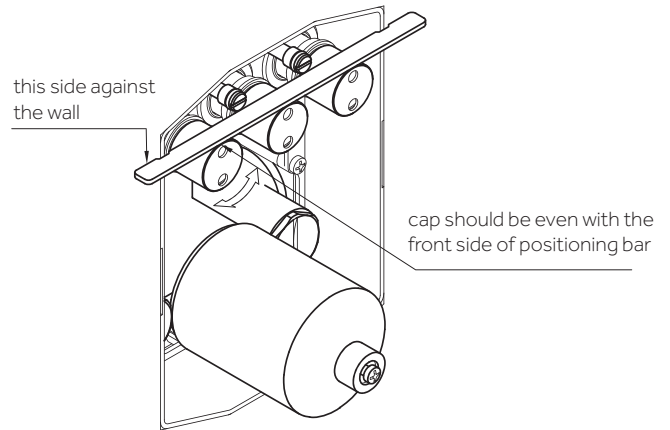
12. Loosen the M6 screw nut using the supplied wrench.



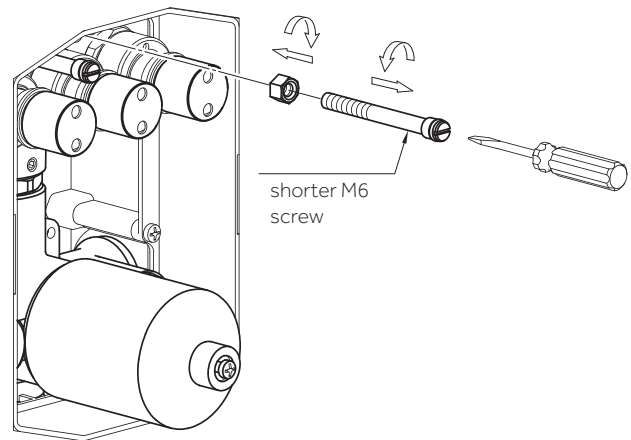
13. Place the positioning bar against the wall as shown. Adjust the height of the M6 screw until it meets the surface of the backside of the positioning bar. Then, tighten the M6 screw nut with the wrench.



14. Turn on the switch. Place the positioning bar against the wall. Adjust the height of the cap so that the front side of the cap is even with the front side of the positioning bar.



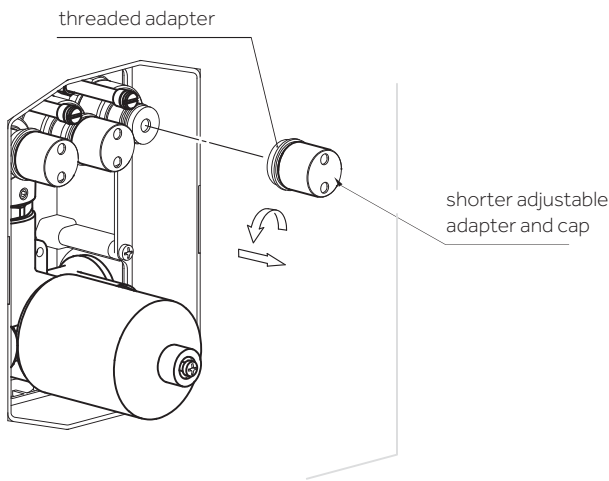
15. Replace the M6 screws with the shorter M6 screws. Then, adjust the screws as indicated in step 12.



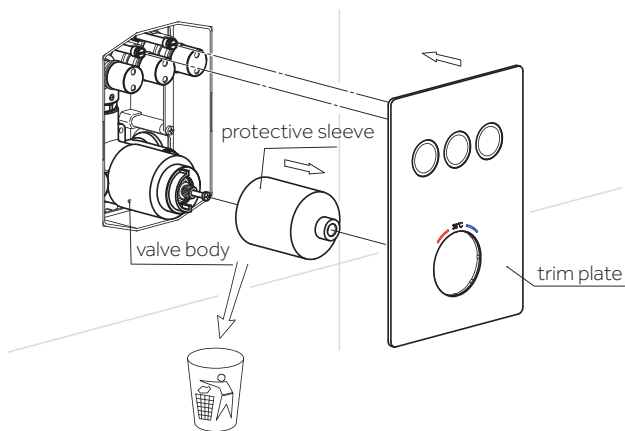


HOLLYN PUSH-BUTTON SHOWER VALVE

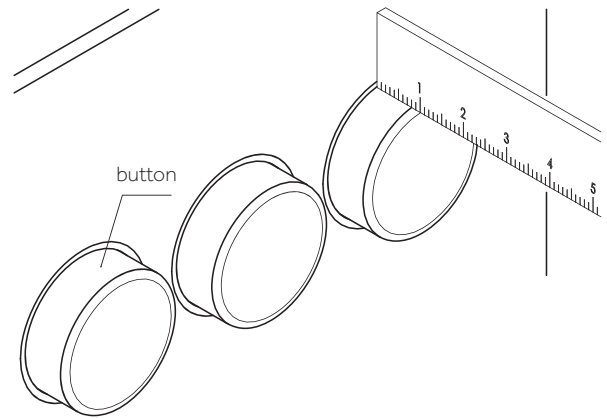
16. Replace the caps with the shorter adjustable adapters and caps. Then, adjust the caps as indicated in step 14.



17. Remove the protective sleeve from the valve body. Place the trim plate onto the body and M6 screws.



18. Press the buttons on the valve to ensure they work properly with the fitment of the trim plate. When a button is turned on, it should protrude approximately 1/4" from the trim plate.



19. Attach the control handle to the installed valve body. Ensure that the slot mark on the spindle, the stop collar, the safety button, and the 38°C mark are all aligned. Tighten the M4 screw then insert the screw cap.

