

SPECIFICATIONS

FIGURE IS4CTB - IS6CTB
STAINLESS STEEL FITTINGS



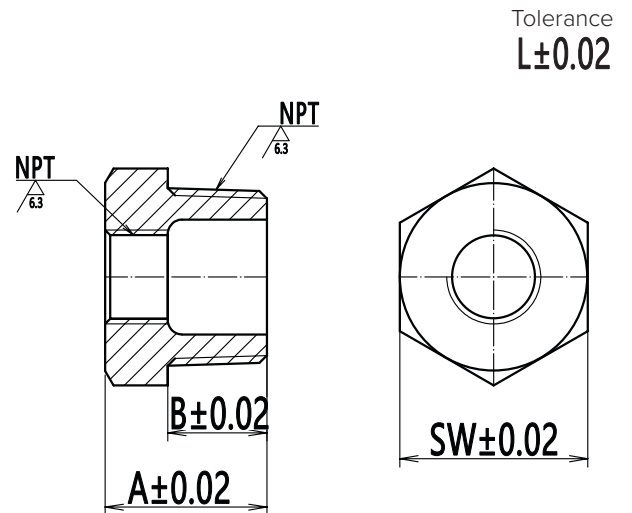
304 & 316 STAINLESS STEEL THREADED HEX BUSHING

PRODUCT SPECIFICATIONS

- The material composition and quality requirements shall comply with ASTM A351/A351M
- Threads should be in accordance with ASME B1.20.1-1983

REFERENCE CHART (INCHES)

Item #	Size	A	B	SW	Squares	Grade
IS4CTBBA	1/4 x 1/8	0.863	0.659	0.689	6	304
IS4CTBCA	3/8 x 1/8	0.886	0.681	0.866	6	304
IS4CTBCB	3/8 x 1/4	0.886	0.681	0.866	6	304
IS4CTBDA	1/2 x 1/8	0.979	0.767	0.976	6	304
IS4CTBDB	1/2 x 1/4	0.979	0.767	0.976	6	304
IS4CTBDC	1/2 x 3/8	0.979	0.767	0.976	6	304
IS4CTBFA	3/4 x 1/8	1.024	0.787	1.24	6	304
IS4CTBFB	3/4 x 1/4	1.024	0.787	1.24	6	304
IS4CTBFC	3/4 x 3/8	1.024	0.787	1.24	6	304
IS4CTBFD	3/4 x 1/2	1.024	0.787	1.24	6	304
IS4CTBGA	1 x 1/8	1.299	1.004	1.516	6	304
IS4CTBGB	1 x 1/4	1.299	1.004	1.516	6	304
IS4CTBGC	1 x 3/8	1.299	1.004	1.516	6	304
IS4CTBGD	1 x 1/2	1.299	1.004	1.516	6	304
IS4CTBGF	1 x 3/4	1.299	1.004	1.516	6	304
IS4CTBHA	1-1/4 x 1/8	1.319	1.004	1.811	6	304
IS4CTBHB	1-1/4 x 1/4	1.319	1.004	1.811	6	304
IS4CTBHC	1-1/4 x 3/8	1.319	1.004	1.811	6	304
IS4CTBHD	1-1/4 x 1/2	1.319	1.004	1.811	6	304
IS4CTBHF	1-1/4 x 3/4	1.319	1.004	1.811	6	304
IS4CTBHG	1-1/4 x 1	1.319	1.004	1.811	6	304
IS4CTBJA	1-1/2 x 1/8	1.398	1.004	2.047	6	304
IS4CTBJB	1-1/2 x 1/4	1.398	1.004	2.047	6	304
IS4CTBJC	1-1/2 x 3/8	1.398	1.004	2.047	6	304
IS4CTBJD	1-1/2 x 1/2	1.398	1.004	2.047	6	304
IS4CTBJF	1-1/2 x 3/4	1.398	1.004	2.047	6	304
IS4CTBJG	1-1/2 x 1	1.398	1.004	2.047	6	304
IS4CTBJH	1-1/2 x 1-1/4	1.398	1.004	2.047	6	304
IS4CTBKB	2 x 1/4	1.417	0.984	2.480	6	304
IS4CTBKC	2 x 3/8	1.417	0.984	2.480	6	304
IS4CTBKD	2 x 1/2	1.417	0.984	2.480	6	304
IS4CTBKF	2 x 3/4	1.417	0.984	2.480	6	304
IS4CTBKG	2 x 1	1.417	0.984	2.480	6	304
IS4CTBKH	2 x 1-1/4	1.417	0.984	2.480	6	304
IS4CTBKJ	2 x 1-1/2	1.417	0.984	2.480	6	304
IS4CTBLD	2-1/2 x 1/2	1.929	1.457	3.169	8	304
IS4CTBLF	2-1/2 x 3/4	1.929	1.457	3.169	8	304
IS4CTBLG	2-1/2 x 1	1.929	1.457	3.169	8	304
IS4CTBLH	2-1/2 x 1-1/4	1.929	1.457	3.169	8	304
IS4CTBLJ	2-1/2 x 1-1/2	1.929	1.457	3.169	8	304
IS4CTBLK	2-1/2 x 2	1.929	1.457	3.169	8	304
IS4CTBMD	3 x 1/2	1.929	1.457	3.760	8	304
IS4CTBMF	3 x 3/4	1.696	1.457	3.760	8	304
IS4CTBMG	3 x 1	1.696	1.457	3.760	8	304
IS4CTBMH	3 x 1-1/4	1.696	1.457	3.760	8	304
IS4CTBMJ	3 x 1-1/2	1.696	1.457	3.760	8	304
IS4CTBMK	3 x 2	1.696	1.457	3.760	8	304
IS4CTBML	3 x 2-1/2	1.696	1.457	3.760	8	304
IS4CTBPH	4 x 1-1/4	2.008	1.457	4.764	8	304
IS4CTBPJ	4 x 1-1/2	2.008	1.457	4.764	8	304
IS4CTBPK	4 x 2	2.008	1.457	4.764	8	304
IS4CTBPL	4 x 2-1/2	2.008	1.457	4.764	8	304
IS4CTBPM	4 x 3	2.008	1.457	4.764	8	304



SPECIFICATIONS

FIGURE IS4CTB - IS6CTB
STAINLESS STEEL FITTINGS



304 & 316 STAINLESS STEEL THREADED HEX BUSHING

REFERENCE CHART (INCHES)

Item #	Size	A	B	SW	Squares	Grade
IS6CTBBA	1/4 x 1/8	0.863	0.659	0.689	6	316
IS6CTBCA	3/8 x 1/8	0.886	0.681	0.866	6	316
IS6CTBCB	3/8 x 1/4	0.886	0.681	0.866	6	316
IS6CTBDA	1/2 x 1/8	0.979	0.767	0.976	6	316
IS6CTBDB	1/2 x 1/4	0.979	0.767	0.976	6	316
IS6CTBDC	1/2 x 3/8	0.979	0.767	0.976	6	316
IS6CTBFA	3/4 x 1/8	1.024	0.787	1.24	6	316
IS6CTBFB	3/4 x 1/4	1.024	0.787	1.24	6	316
IS6CTBFC	3/4 x 3/8	1.024	0.787	1.24	6	316
IS6CTBFD	3/4 x 1/2	1.024	0.787	1.24	6	316
IS6CTBGA	1 x 1/8	1.299	1.004	1.516	6	316
IS6CTBGB	1 x 1/4	1.299	1.004	1.516	6	316
IS6CTBGC	1 x 3/8	1.299	1.004	1.516	6	316
IS6CTBGD	1 x 1/2	1.299	1.004	1.516	6	316
IS6CTBGF	1 x 3/4	1.299	1.004	1.516	6	316
IS6CTBHA	1-1/4 x 1/8	1.319	1.004	1.811	6	316
IS6CTBHB	1-1/4 x 1/4	1.319	1.004	1.811	6	316
IS6CTBHC	1-1/4 x 3/8	1.319	1.004	1.811	6	316
IS6CTBHD	1-1/4 x 1/2	1.319	1.004	1.811	6	316
IS6CTBHF	1-1/4 x 3/4	1.319	1.004	1.811	6	316
IS6CTBHG	1-1/4 x 1	1.319	1.004	1.811	6	316
IS6CTBJB	1-1/2 x 1/4	1.398	1.004	2.047	6	316
IS6CTBJC	1-1/2 x 3/8	1.398	1.004	2.047	6	316
IS6CTBJD	1-1/2 x 1/2	1.398	1.004	2.047	6	316
IS6CTBJF	1-1/2 x 3/4	1.398	1.004	2.047	6	316
IS6CTBJG	1-1/2 x 1	1.398	1.004	2.047	6	316
IS6CTBJH	1-1/2 x 1-1/4	1.398	1.004	2.047	6	316
IS6CTBKB	2 x 1/4	1.417	0.984	2.480	6	316
IS6CTBKC	2 x 3/8	1.417	0.984	2.480	6	316
IS6CTBKD	2 x 1/2	1.417	0.984	2.480	6	316
IS6CTBKF	2 x 3/4	1.417	0.984	2.480	6	316
IS6CTBKG	2 x 1	1.417	0.984	2.480	6	316
IS6CTBKH	2 x 1-1/4	1.417	0.984	2.480	6	316
IS6CTBKJ	2 x 1-1/2	1.417	0.984	2.480	6	316
IS6CTBLD	2-1/2 x 1/2	1.929	1.457	3.169	8	316
IS6CTBLF	2-1/2 x 3/4	1.929	1.457	3.169	8	316
IS6CTBLG	2-1/2 x 1	1.929	1.457	3.169	8	316
IS6CTBLH	2-1/2 x 1-1/4	1.929	1.457	3.169	8	316
IS6CTBLJ	2-1/2 x 1-1/2	1.929	1.457	3.169	8	316
IS6CTBLK	2-1/2 x 2	1.929	1.457	3.169	8	316
IS6CTBMD	3 x 1/2	1.929	1.457	3.760	8	316
IS6CTBMF	3 x 3/4	1.696	1.457	3.760	8	316
IS6CTBMG	3 x 1	1.696	1.457	3.760	8	316
IS6CTBMH	3 x 1-1/4	1.696	1.457	3.760	8	316
IS6CTBMJ	3 x 1-1/2	1.696	1.457	3.760	8	316
IS6CTBMK	3 x 2	1.696	1.457	3.760	8	316
IS6CTBML	3 x 2-1/2	1.696	1.457	3.760	8	316
IS6CTBPG	4 x 1	2.008	1.457	4.764	8	316
IS6CTBPJ	4 x 1-1/2	2.008	1.457	4.764	8	316
IS6CTBPK	4 x 2	2.008	1.457	4.764	8	316
IS6CTBPL	4 x 2-1/2	2.008	1.457	4.764	8	316
IS6CTBPM	4 x 3	2.008	1.457	4.764	8	316

