



Kingston™ Ultra

Top spud flushometer bowl
K-84325-L

Features

- Elongated bowl.
- Siphon jet.
- 1.1 gpf (4.2 lpf), 1.28 (4.8 lpf) or 1.6 gpf (6.0 lpf) depending on flushometer specified.
- 11" (279 mm) x 8-1/4" (210 mm) water surface.
- Includes bedpan lugs.
- 1-1/2" (38 mm) top spud.

Material

- Vitreous china.

Technology

- Improved flush for toilet seat cover removal.
- Re-engineered for strong flush performance in buildings with lower water pressure or flow.
- New cast-on putty plate resists breakage.
- New design eliminates gas leaks, splashing and paper shredding.

Installation

- Wall-mount.
- This product replaces K-4325-L.

Recommended Products/Accessories

- K-23726 Drain treatment
- K-23724 Toilet cleaner & disinfectant



ADA **CSA B651** **OBC**

Codes/Standards

ASME A112.19.2/CSA B45.1
DOE - Energy Policy Act 1992
EPA WaterSense®
California Energy Commission (CEC)
ADA
ICC/ANSI A117.1
CSA B651
OBC

KOHLER® One-Year Limited Warranty

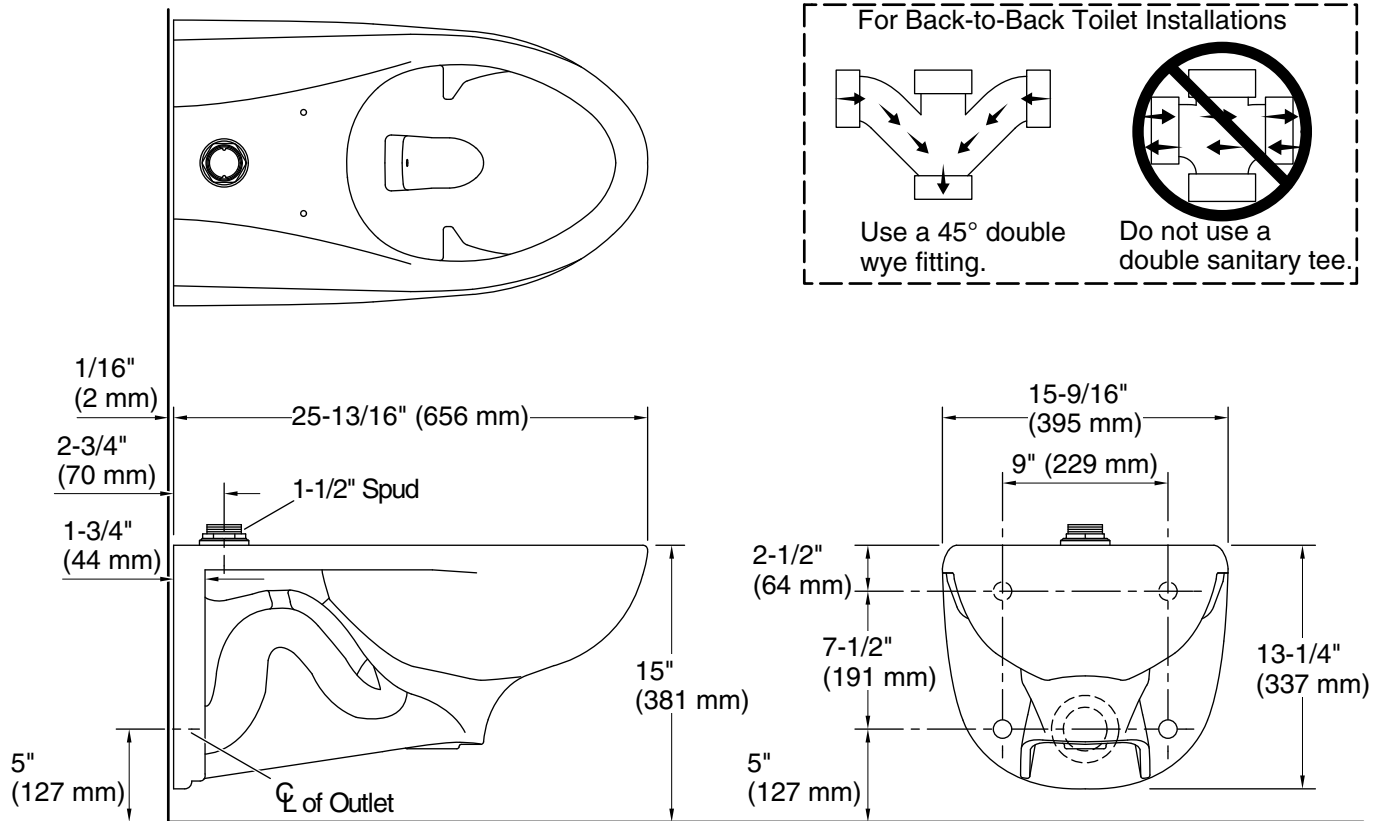
See website for detailed warranty information.

Available Colors/Finishes

Color tiles intended for reference only.

Color Code Description

	0	White
--	---	-------



Technical Information

All product dimensions are nominal.

Toilet type:	Flushometer, Wall-mount
Waste Outlet:	Wall
Bowl shape:	Elongated
Flush type:	Flushometer valve siphon
Spud size:	1 1/2, Inlet, Top
Trap passageway:	2-1/8" (54 mm)
Water Consumption	
Full:	1.6 gpf (6 lpf)
Reduced:	1.1 gpf (4.3 lpf)
Water surface size:	11" x 8-1/4" (279 mm x 210 mm)
Rim to water surface:	5-13/16" (148 mm)
Seat-mounting holes:	5-1/2" (140 mm)

Fixture Supply Requirements

Min static pressure:	35 psi (241.3 kPa)
Max static pressure:	80 psi (551.6 kPa)
Min flowing pressure:	25 psi (172.4 kPa)

Notes

Install this product according to the installation instructions.

For back-to-back toilet installations: Use only a 45° double wye fitting.

ADA, OBC, CSA B651 compliant when installed to the specific requirements of these regulations.

Plumbing codes may require elongated toilets and elongated, open-front seats in public bathrooms.

Accessibility standards may require controls to be located on the open side of the toilet.