



Kingston™ Ultra

Rear spud flushometer bowl

K-84323

Features

- Elongated bowl.
- Siphon jet.
- 1.1 gpf (4.2 lpf), 1.28 (4.8 lpf) or 1.6 gpf (6.0 lpf) depending on flushometer specified.
- 11" (279 mm) x 8-1/4" (210 mm) water surface.
- 1-1/2" (38 mm) rear spud.

Material

- Vitreous china.

Technology

- Improved flush for toilet seat cover removal.
- Re-engineered for strong flush performance in buildings with lower water pressure or flow.
- New cast-on putty plate resists breakage.
- New design eliminates gas leaks, splashing and paper shredding.

Installation

- Wall-mount.
- This product replaces K-4323.
- This product is not designed or intended for bariatric use.

Recommended Products/Accessories

- K-23726 Drain treatment
- K-23724 Toilet cleaner & disinfectant



ADA **CSA B651** **OBC**

Codes/Standards





ASME A112.19.2/CSA B45.1
 DOE - Energy Policy Act 1992
 EPA WaterSense®
 California Energy Commission (CEC)
 ADA
 ICC/ANSI A117.1
 CSA B651
 OBC

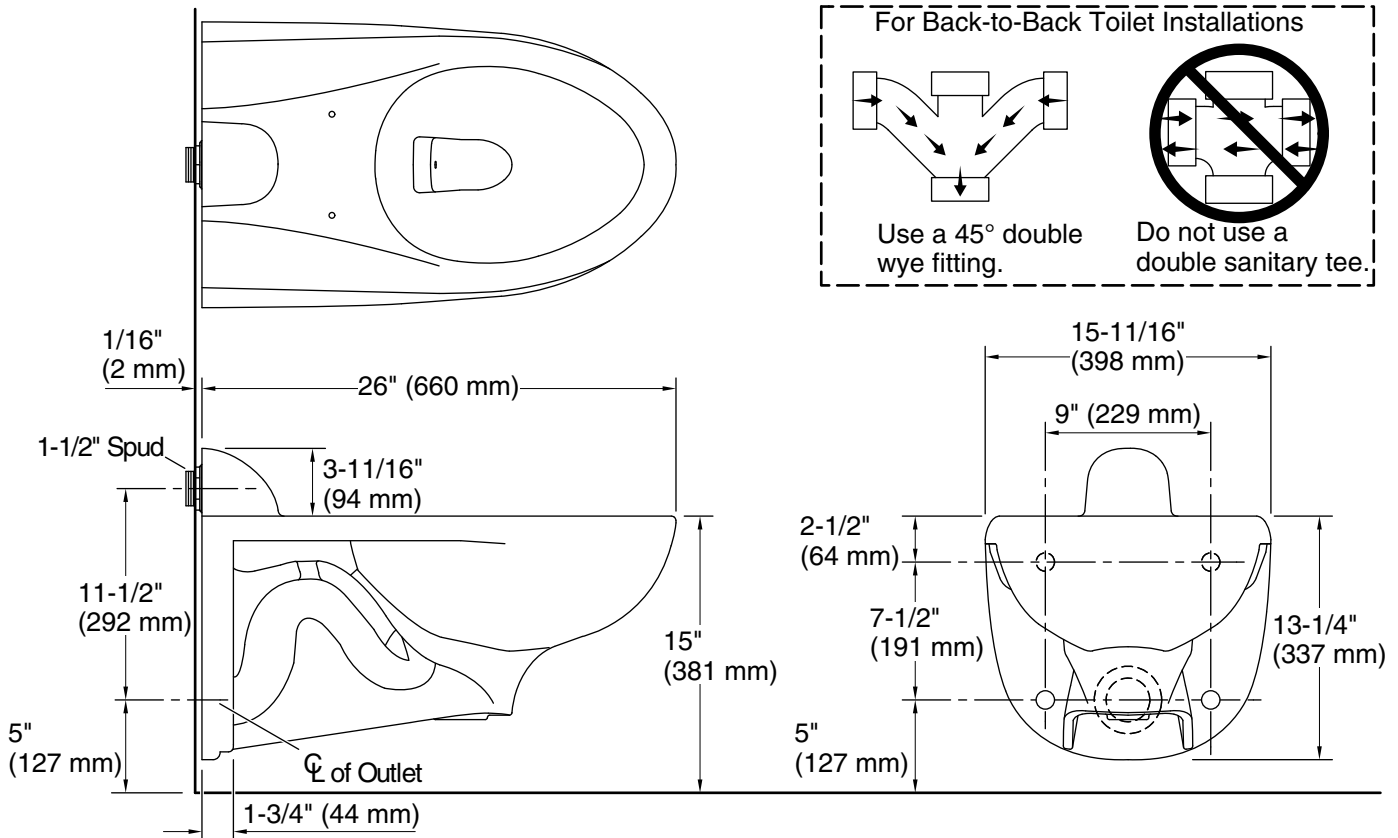
KOHLER® One-Year Limited Warranty

See website for detailed warranty information.

Available Colors/Finishes

Color tiles intended for reference only.

Color	Code	Description
	0	White
	96	Biscuit
	47	Almond
	7	Black Black™



Technical Information

All product dimensions are nominal.

Toilet type:	Flushometer, Wall-mount
Waste Outlet:	Wall
Bowl shape:	Elongated
Flush type:	Flushometer valve siphon
Spud size:	1 1/2, Inlet, Rear
Trap passageway:	2-1/8" (54 mm)
Water surface size:	11" x 8-1/4" (279 mm x 210 mm)
Rim to water surface:	5-13/16" (148 mm)
Seat-mounting holes:	5-1/2" (140 mm)

Fixture Supply Requirements

Min static pressure:	35 psi (241.3 kPa)
Max static pressure:	80 psi (551.6 kPa)
Min flowing pressure:	25 psi (172.4 kPa)
Min flow rate:	25 gpm (94.6 lpm)

Notes

Install this product according to the installation instructions.

For back-to-back toilet installations: Use only a 45° double wye fitting.

Refer to manufacturer's instructions and local codes for flushometer requirements.

ADA, OBC, CSA B651 compliant when installed to the specific requirements of these regulations.

Plumbing codes may require elongated toilets and elongated, open-front seats in public bathrooms.

Accessibility standards may require controls to be located on the open side of the toilet.