



ELECTRIC REPLACEMENT PARTS LIST

Residential (RE(1,2)U) Utility and Commercial (LE(1,2)U) Utility Models



RE110U* model shown,
models may vary in appearance

Models Covered:
RE(12, 16, 112, 120)U*
LE(16, 120)U*
RE112T
LE112T
RE220U
LE220U
RE(110, 115)U*
LE(110, 115)U*

*Denotes warranty year

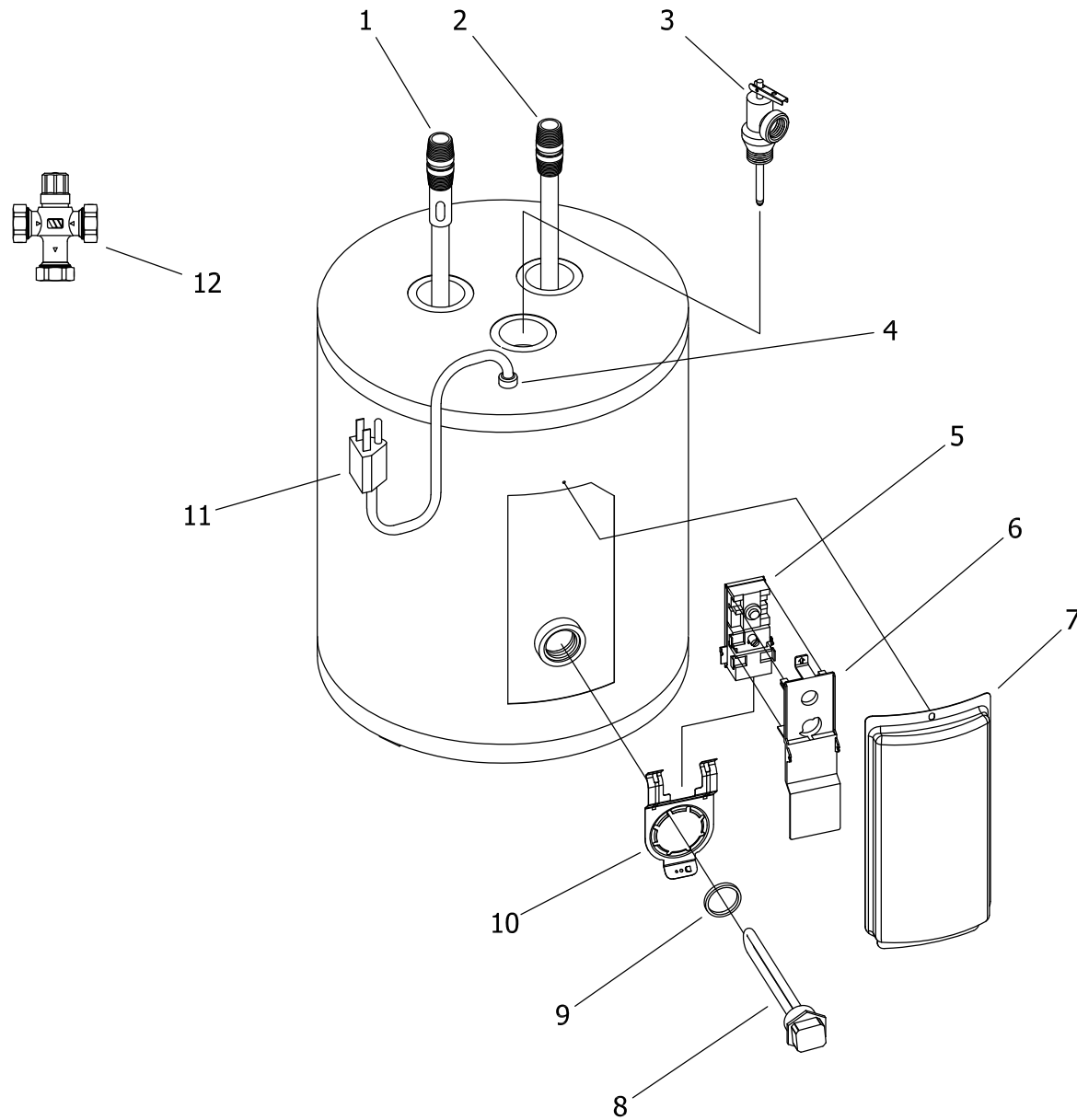
Effective: January, 2023
ECO 8248-3

**NOTE: BOTH MODEL AND SERIAL
NUMBERS ARE REQUIRED FOR
ORDERING REPLACEMENT PARTS**

Dimensions and specifications
subject to change without notice.

WARNING
CANCER AND REPRODUCTIVE HARM
WWW.P65WARNINGS.CA.GOV

As required by the state of California Proposition 65.



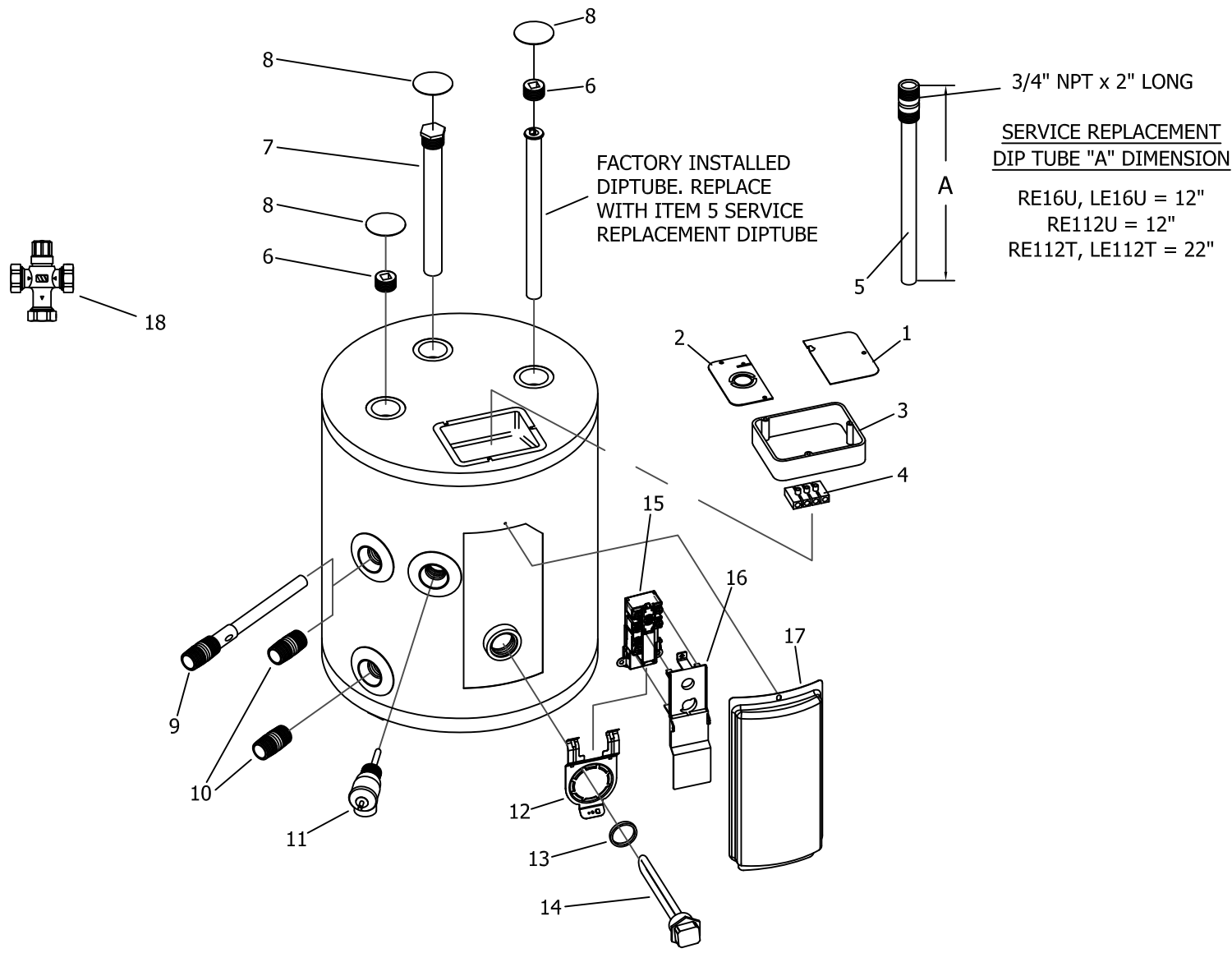
Item	Description	Model
1	Hot Water Outlet Anode (Magnesium)	415-47776-20
	Hot Water Outlet Anode (Aluminum)	415-32999-32
	Hot Water Outlet Anode (A420 Aluminum)	415-49560-09
2	Cold Water Inlet Dip Tube (PEX)	229-51534-15
3	T&P Relief Valve	415-32920-01
4	Strain Relief Bushing	239-80372-00
5	Thermostat ■	415-50691-00
6	Thermostat Protector	223-50125-00
7	Access Cover	239-44929-00
8	Heating Element (120V/1500W Copper)** ♦	415-42540-02
	Heating Element (120V/1500W Incoloy)** ♦	N/A
9	Element Gasket	223-34019-00
10	Thermostat Mounting Bracket	415-50689-00
11	Power Cord	239-38846-00
12	ASSE Approved Mixing Valve (Optional)	239-51778-00

■ Protector (Item #6) and mounting bracket (Item #10) included in kit with thermostat.

♦ Gasket (Item #9) included with this kit

* Applies to all warranties

** For other wattages/voltages, consult residential Heating Element Replacement Parts List.



Item	Description	Model RE16U*	Model LE16U*	Model RE120U*	Model LE120U*
1	Junction Box Cover	243-39452-00	243-39452-00	243-39452-00	243-39452-00
2	Bracket-Grounding/Conduit	243-39451-00	243-39451-00	243-39451-00	243-39451-00
3	Junction Box Extender	---	239-40587-00	---	239-40587-00
4	Terminal Block 4-Pole	---	243-49908-00	---	243-49908-00
5	Service Replacement Dip Tube (PEX)	243-51612-01	243-51612-01	---	---
6	Pipe Plug 3/4 NPT	239-11638-00	239-11638-00	---	---
7	Anode Rod Plug Type (Magnesium)#	415-47782-08	415-47782-08	---	---
	Anode Rod Plug Type (Aluminum)#	415-38508-10	415-38508-10	---	---
	Anode Rod Plug Type (A420 Aluminum)#	415-49559-04	415-49559-04	---	---
8	Hole Closure	239-31547-02	239-31547-02	---	---
9	Hot Water Outlet Anode (Magnesium)#	---	---	415-47776-19	415-47776-19
	Hot Water Outlet Anode (Aluminum)#	---	---	415-32999-28	415-32999-28
	Hot Water Outlet Anode (A420 Aluminum)#	---	---	415-49560-10	415-49560-10
10	Inlet/Outlet Nipple	229-32762-03	229-32762-03	229-32762-03	229-32762-03
11	T&P Relief Valve	415-40594-02	415-40594-02	415-40594-02	415-40594-02
12	Thermostat Mounting Bracket	415-50689-00	415-50689-00	415-50689-00	415-50689-00
13	Element Gasket	223-34019-00	223-34019-00	223-34019-00	223-34019-00
14	Heating Element 1500W, 120V Copper** ♦	415-42540-02	415-42540-02	415-42540-02	415-42540-02
	Heating Element 1500W, 120V Incoloy** ♦	415-42541-02	415-42541-02	415-42541-02	415-42541-02
15	Thermostat-Residential ■■	415-50691-00	---	415-50691-00	---
	Thermostat-Light Duty Commercial ■■ ∩	---	415-50691-00	---	415-50691-00
	Thermostat-Light Duty Commercial ■ Φ ∩∩	---	415-53388-00	---	415-53388-00
16	Thermostat Protector	223-50125-00	223-50125-00	223-50125-00	223-50125-00
17	Access Cover	243-36618-02	243-36618-02	243-36618-02	243-36618-02
18	ASSE Approved Mixing Valve (Optional)	239-51778-00	239-51778-00	239-51778-00	239-51778-00

■ Protector (Item #16) included in kit with thermostat.

■■ Protector (Item #16) and mounting bracket (Item #12) included in kit with thermostat.

Φ Mounting bracket (Item #12) not included in kit with thermostat.

♦ Gasket (Item #13) included with this kit

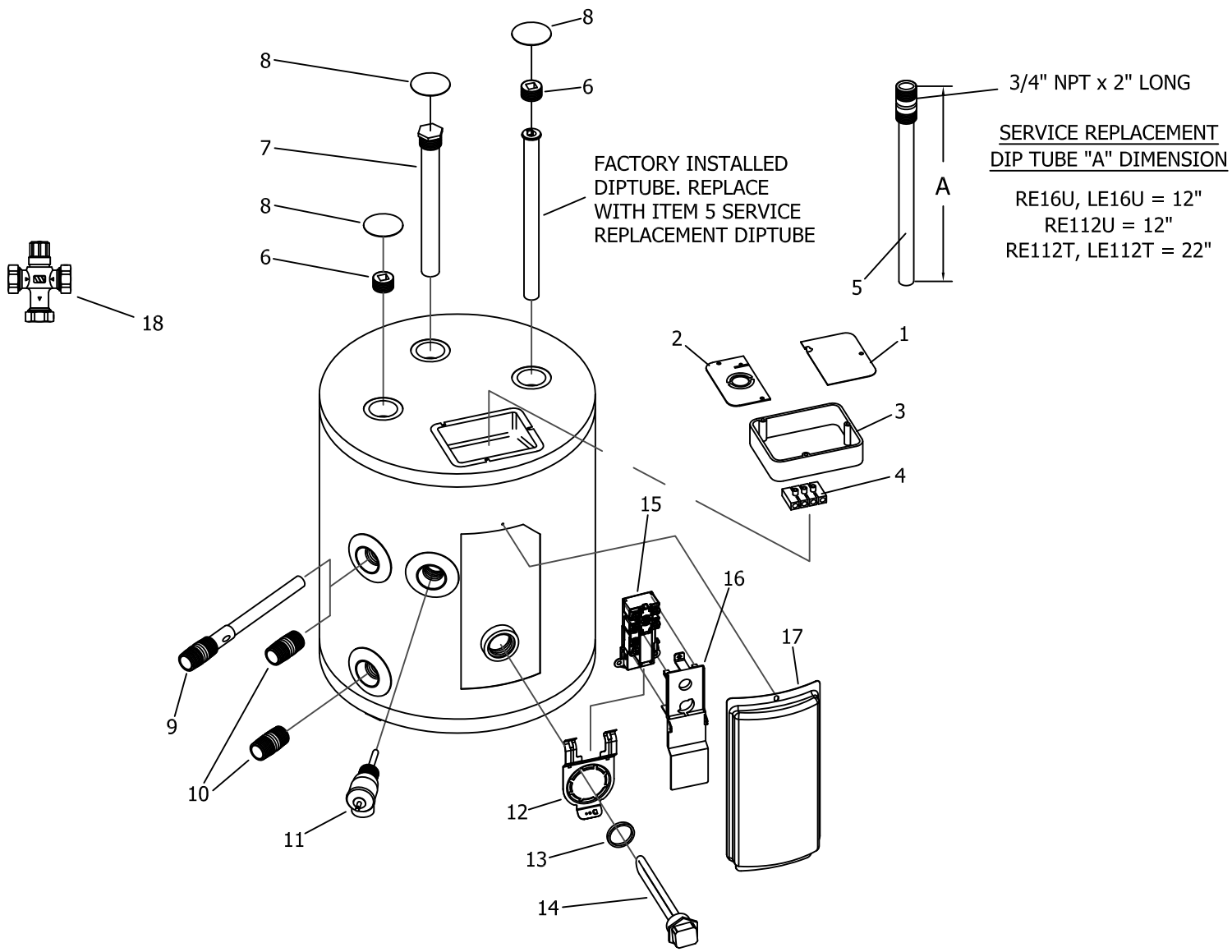
* Applies to all warranties

** For other wattages/voltages, consult residential Heating Element Replacement Parts List.

Anode may need to be cut to length

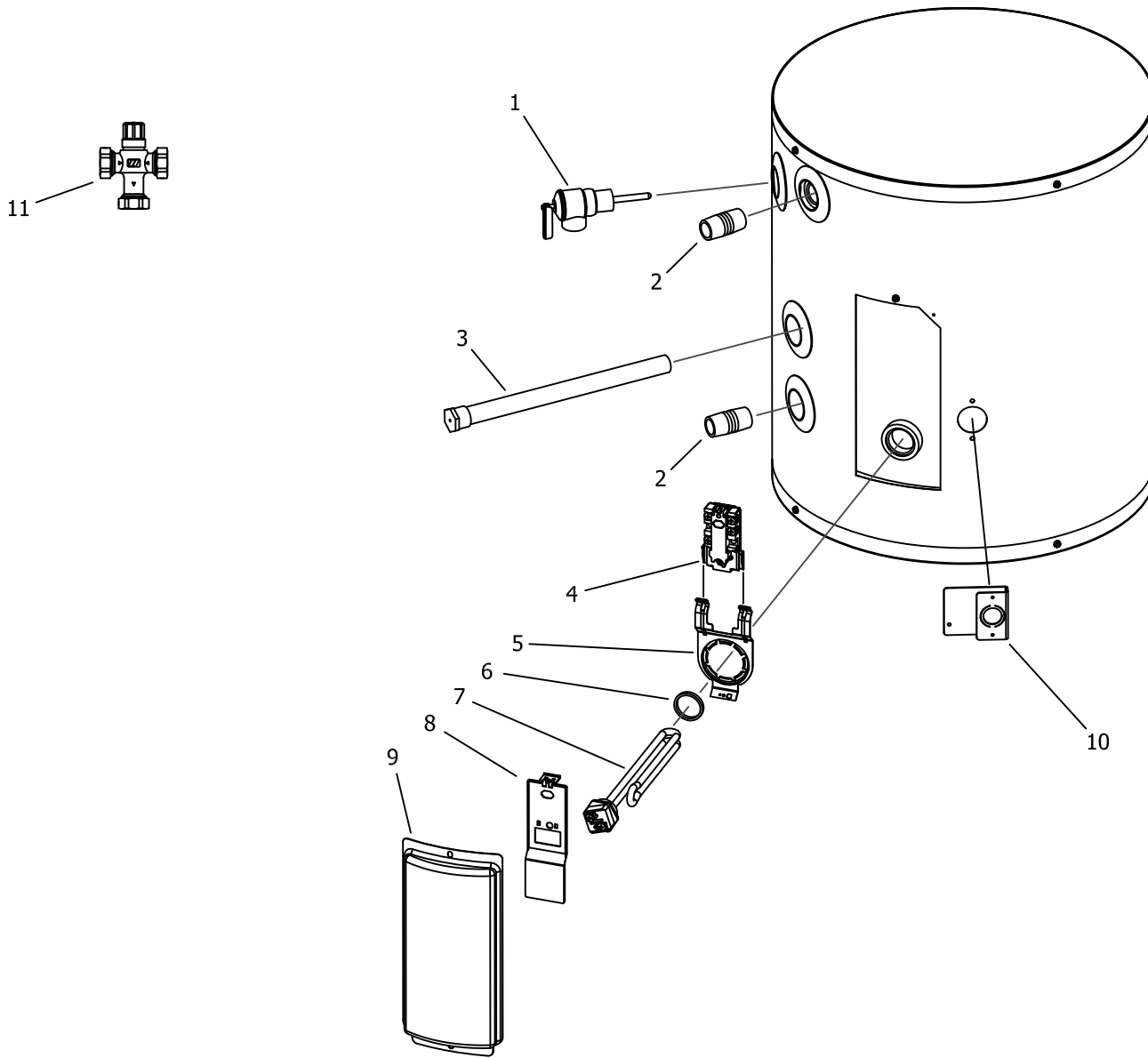
∩ Design certified for products with serial numbers PRIOR to TD43243484.

∩∩ Design certified for products with serial numbers AFTER and including TD43243484.



Item	Description	Model	Model	Model	Model	Model
		RE112U*	RE112T	LE112T	RE220U	LE220U
1	Junction Box Cover	243-39452-00	243-39452-00	243-39452-00	243-39452-00	243-39452-00
2	Bracket-Grounding/Conduit	243-39451-00	243-39451-00	243-39451-00	243-39451-00	243-39451-00
3	Junction Box Extender	---	---	239-40587-00	---	239-40587-00
4	Terminal Block 4-Pole	---	---	243-49908-00	---	243-49908-00
5	Service Replacement Dip Tube (PEX)	243-51612-02	243-51612-02	243-51612-02	---	---
6	Pipe Plug 3/4 NPT	239-11638-00	239-11638-00	239-11638-00	---	---
7	Anode Rod Plug Type (Magnesium)#	415-47782-08	415-47782-08	415-47782-08	---	---
	Anode Rod Plug Type (Aluminum)#	415-38508-10	415-38508-10	415-38508-10	---	---
	Anode Rod Plug Type (A420 Aluminum)#	415-49559-04	415-49559-04	415-49559-04	---	---
8	Hole Closure	239-31547-02	239-31547-02	239-31547-02	---	---
9	Hot Water Outlet Anode (Magnesium)#	---	---	---	415-47776-19	415-47776-19
	Hot Water Outlet Anode (Aluminum)#	---	---	---	415-32999-28	415-32999-28
	Hot Water Outlet Anode (A420 Aluminum)#	---	---	---	415-49560-10	415-49560-10
10	Inlet/Outlet Nipple	229-32762-03	229-32762-03	229-32762-03	229-32762-03	229-32762-03
11	T&P Relief Valve	415-40594-02	415-40594-02	415-40594-02	415-40594-02	415-40594-02
12	Thermostat Mounting Bracket	415-50689-00	415-50689-00	415-50689-00	415-50689-00	415-50689-00
13	Element Gasket	223-34019-00	223-34019-00	223-34019-00	223-34019-00	223-34019-00
14	Heating Element 1500W, 120V Copper** ♦	415-42540-02	415-42540-02	415-42540-02	415-42540-02	415-42540-02
	Heating Element 1500W, 120V Incoloy** ♦	415-42541-02	415-42541-02	415-42541-02	415-42541-02	415-42541-02
15	Thermostat-Residential ■■	415-50691-00	415-50691-00	---	415-50691-00	---
	Thermostat-Light Duty Commercial ■■ ∅	---	---	415-50691-00	---	415-50691-00
	Thermostat-Light Duty Commercial ■ ∅ ∅	---	---	415-53388-00	---	415-53388-00
16	Thermostat Protector	223-50125-00	223-50125-00	223-50125-00	223-50125-00	223-50125-00
17	Access Cover	243-36618-02	243-36618-02	243-36618-02	243-36618-02	243-36618-02
18	ASSE Approved Mixing Valve (Optional)	239-51778-00	239-51778-00	239-51778-00	239-51778-00	239-51778-00

- Protector (Item #16) included in kit with thermostat.
- Protector (Item #16) and mounting bracket (Item #12) included in kit with thermostat.
- ∅ Mounting bracket (Item #12) not included in kit with thermostat.
- ♦ Gasket (Item #13) included with this kit
- * Applies to all warranties
- ** For other wattages/voltages, consult residential Heating Element Replacement Parts List.
- # Anode may need to be cut to length
- ∅ Design certified for products with serial numbers PRIOR to TD43243484.
- ∅∅ Design certified for products with serial numbers AFTER and including TD43243484.



Item	Description	Model RE110U*	Model LE110U*	Model RE115U*	Model LE115U*
1	T&P Relief Valve	415-40594-02	415-40594-02	415-40594-02	415-40594-02
2	Inlet/Outlet Nipple	229-32762-03	229-32762-03	229-32762-03	229-32762-03
3	Anode Rod Plug Type (Magnesium)#	415-47782-08	415-47782-08	415-47782-08	415-47782-08
	Anode Rod Plug Type (Aluminum)#	415-38508-10	415-38508-10	415-38508-10	415-38508-10
	Anode Rod Plug Type (A420 Aluminum)#	415-49559-04	415-49559-04	N/A	N/A
4	Thermostat-Residential ■■	415-50691-00	---	415-50691-00	---
	Thermostat-Light Duty Commercial ■■ ∩	---	415-50691-00	---	415-50691-00
	Thermostat-Light Duty Commercial ■ Φ ∩∩	---	415-53388-00	---	415-53388-00
5	Thermostat Mounting Bracket	415-50689-00	415-50689-00	415-50689-00	415-50689-00
6	Element Gasket	223-34019-00	223-34019-00	223-34019-00	223-34019-00
7	Heating Element 1500W, 120V Copper** ♦	415-42540-02	415-42540-02	415-42540-02	415-42540-02
	Heating Element 1500W, 120V Incoloy** ♦	415-42541-02	415-42541-02	415-42541-02	415-42541-02
8	Thermostat Protector	223-50125-00	223-50125-00	223-50125-00	223-50125-00
9	Access Cover	243-36618-02	243-36618-02	243-36618-02	243-36618-02
10	Bracket-Grounding/Conduit	239-46167-00	239-46167-00	239-46167-00	239-46167-00
11	ASSE Approved Mixing Valve (Optional)	239-51778-00	239-51778-00	239-51778-00	239-51778-00

- Protector (Item #16) included in kit with thermostat.
- Protector (Item #16) and mounting bracket (Item #12) included in kit with thermostat.
- Φ Mounting bracket (Item #12) not included in kit with thermostat.
- ♦ Gasket (Item #6) included with this kit.
- * Applies to all warranties.
- # Anode may need to be cut to length.
- ∩ Design certified for products with serial numbers PRIOR to TD43243484.
- ∩∩ Design certified for products with serial numbers AFTER and including TD43243484.

Reference Chart of Anode Length by Model

Model	AOD Anode Cut Length (End to end)		Hex Head Anode Cut Length (End to end)	
	Inches	Millimeters	Inches	Millimeters
RE12U*	9.63	245	---	---
RE16U*	---	---	9.5	241
RE120U*	13.63	346	---	---
LE120U*	13.63	346	---	---
RE112U*	---	---	9.5	241
RE112T	---	---	17.5	445
LE112T	---	---	17.5	445
RE220U	13.63	346	---	---
LE220U	13.63	346	---	---
RE110U*	---	---	9.5	241
LE110U*	---	---	9.5	241
RE115U*	---	---	9.5	241
LE115U*	---	---	9.5	241



United States

Sales 800-523-2931

Technical Support 800-334-3393

Email techserv@bradfordwhite.com

Warranty 800-531-2111

Email warranty@bradfordwhite.com

Service Parts 800-538-2020

Email parts@bradfordwhite.com

Canada

Sales & Technical Support 866-690-0961 905-203-0600

Fax 905-636-0666

Warranty bwccwarranty@bradfordwhite.com

Technical Support bwccotech@bradfordwhite.com

Service Parts orders@bradfordwhitecanada.com

Orders ca.orders@bradfordwhite.com

For U.S. and Canada field service,
contact your professional installer or
local Bradford White sales representative.

International

General Contact international@bradfordwhite.com