



**BRADFORD WHITE**<sup>®</sup>  
W A T E R H E A T E R S

**CANADA ELECTRIC REPLACEMENT PARTS LIST**  
**Residential Upright, Lowboy, and**  
**High Efficiency Upright Models**



**Models Covered:**

RE(230, 240, 250)S  
RE(330, 340, 350)S  
RE2(50, 55, 65)T  
RE250T Alternate  
RE340T  
RE(230, 240)L  
RE(230, 240)LN  
RE250L(N)  
RE280T  
RE3(80, 120)T  
(\* ) Denotes Warranty Years

Includes Hydrojet<sup>®</sup>  
Total Performance System

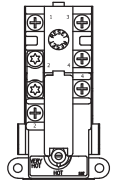
**Effective: August, 2020**  
**ECO 8255**

**NOTE: BOTH MODEL AND SERIAL  
NUMBERS ARE REQUIRED FOR  
ORDERING REPLACEMENT PARTS**

Dimensions and specifications  
subject to change without notice.

**TOP LOCATION**

- Double element water heater, non-simultaneous single phase and three phase operation.



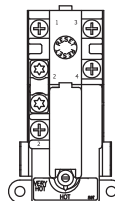
59T66T  
415-51046-00

**TOP LOCATION**

- Double element water heater, simultaneous operation.

**BOTTOM LOCATION**

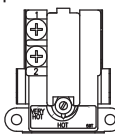
- Single element water heater.
- Double element water heater, non-simultaneous three phase operation.
- Double element water heater, simultaneous operation.



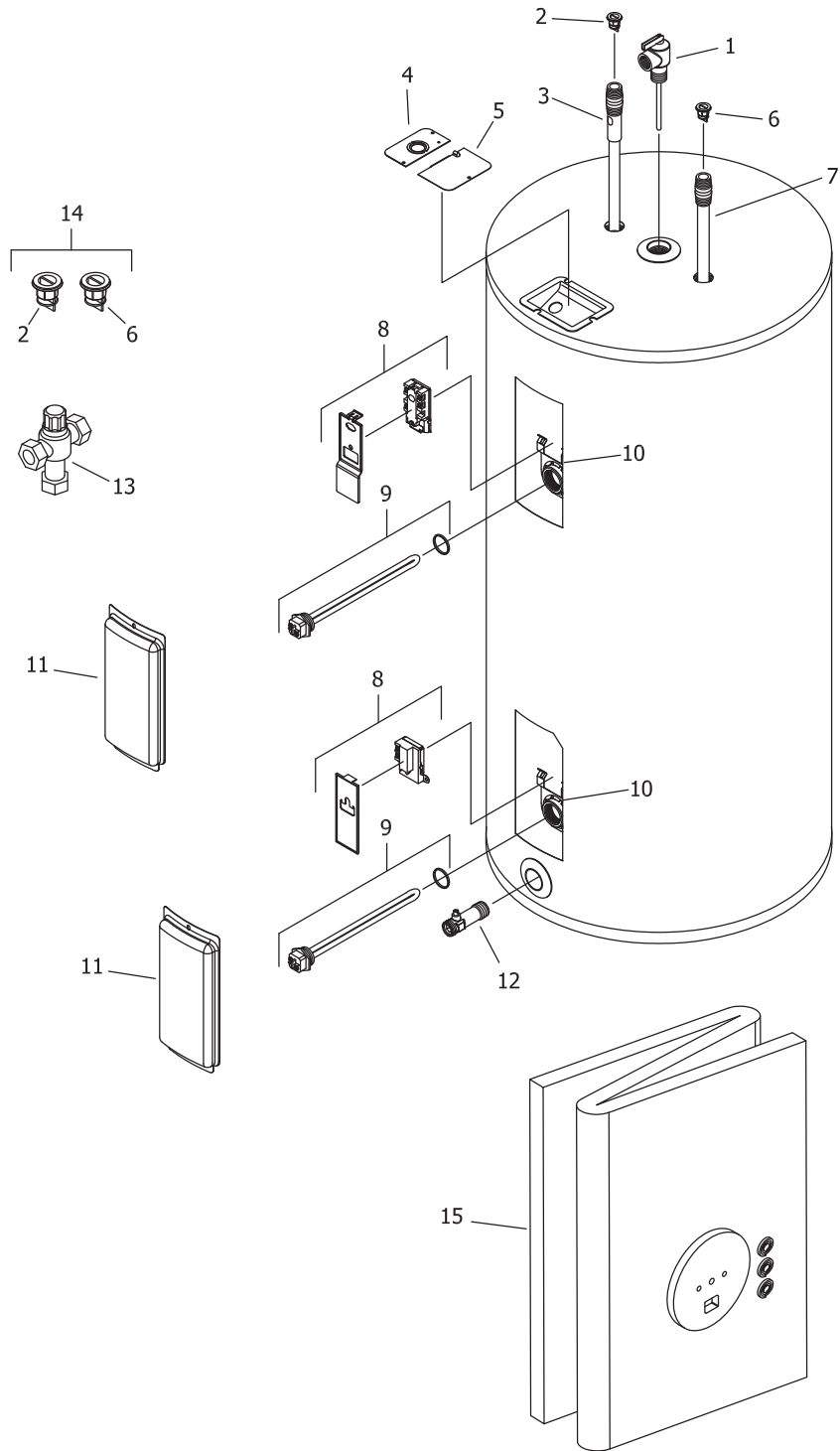
59T66T  
415-50691-00

**BOTTOM LOCATION**

- Double element water heater, non-simultaneous single phase operation



59T  
415-51046-00



Item	Description	Model	Model	Model
		RE230S	RE240S	RE250S
1	T&P Relief Valve	230-40594-02	230-40594-02	230-40594-02
2	Heat Trap Insert (Outlet)	239-45167-00	239-45167-00	239-45167-00
3	Hot Water Outlet Anode (Magnesium) ♦#	224-47776-19	224-47776-19	224-47776-19
	Hot Water Outlet Anode (Aluminum) ♦#	224-32999-28	224-32999-28	224-32999-28
	Hot Water Outlet Anode (A420 Aluminum) ♦#	224-49560-10	224-49560-10	224-49560-10
4	Cover Conduit/Ground	243-39451-00	243-39451-00	243-39451-00
5	Cover Junction Box	243-39452-00	243-39452-00	243-39452-00
6	Heat Trap Insert (Inlet)	239-51556-00	239-51556-00	239-51556-00
7	Cold Water Inlet Tube PEX ♦♦	229-51230-21	229-51230-21	229-51230-21
8	Upper Thermostat with High Limit (59T66) & Protector ▲■	415-51046-00	415-51046-00	415-51046-00
	Lower Thermostat (59T66) w/ Protector ▲■	415-51046-00	415-51046-00	415-51046-00
	Lower Thermostat with High Limit (59T66) ▲	415-50691-00	415-50691-00	415-50691-00
9	Heating Element 240V 4500W w/ Gasket μ	415-48642-00	415-48642-00	415-48642-00
10	Thermostat Mounting Bracket	415-50689-00	415-50689-00	415-50689-00
11	Access Cover	243-36618-02	243-36618-02	243-36618-02
12	Drain Valve	265-51684-01	265-51684-01	265-51684-01
13	ASSE Approved Mixing Valve	239-51778-00	239-51778-00	239-51778-00
14	Kit-Heat Trap Insert (PEX)	265-51572-00	265-51572-00	265-51572-00
15	Blanket Kit	239-50210-01	239-50210-01	239-50210-02

♦ Order with item 2.

♦♦ Order with item 6.

▲ Thermostat protector provided with thermostat. The thermostat mounting bracket is also provided with the thermostat.

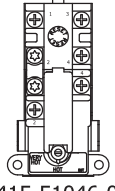
μ For other voltage and wattage combinations, refer to heating elements on page 14 & 15.

■ Upper and lower thermostats are packaged together.

# Anode may need to be cut to length, please see page 16 for reference chart of anode length by model.

**TOP LOCATION**

- Double element water heater, non-simultaneous single phase and three phase operation.



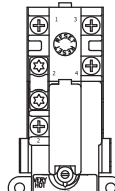
59T66T  
415-51046-00

**TOP LOCATION**

- Double element water heater, simultaneous operation.

**BOTTOM LOCATION**

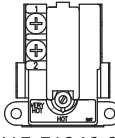
- Single element water heater.
- Double element water heater, non-simultaneous three phase operation.
- Double element water heater, simultaneous operation.



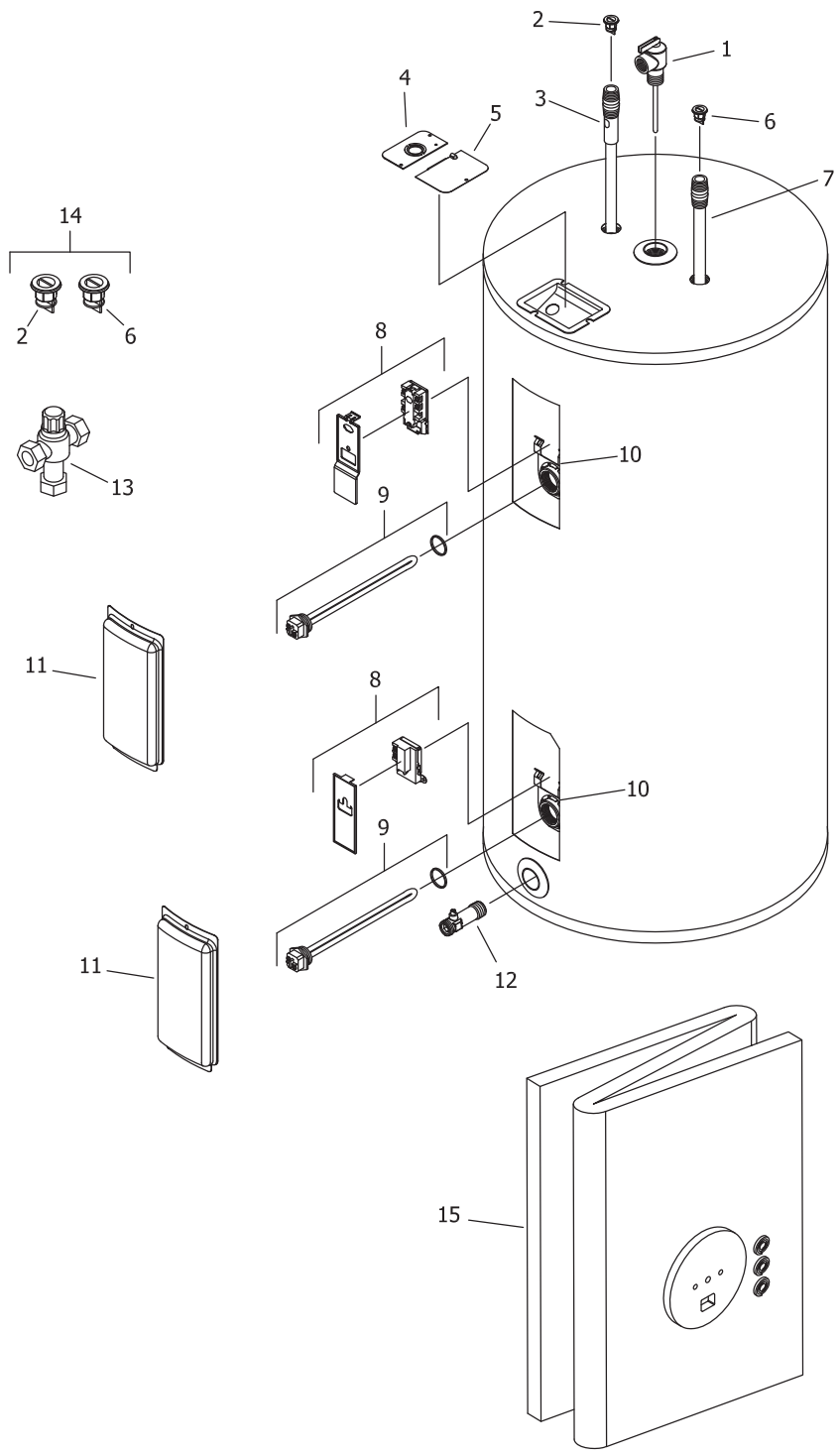
59T66T  
415-50691-00

**BOTTOM LOCATION**

- Double element water heater, non-simultaneous single phase operation



59T  
415-51046-00



Item	Description	Model	Model	Model
		RE330S	RE340S	RE350S
1	T&P Relief Valve	230-40594-02	230-40594-02	230-40594-02
2	Heat Trap Insert (Outlet)	239-45167-00	239-45167-00	239-45167-00
3	Hot Water Outlet Anode (Magnesium) ♦#	224-47776-19	224-47776-19	224-47776-19
	Hot Water Outlet Anode (Aluminum) ♦#	224-32999-28	224-32999-28	224-32999-28
	Hot Water Outlet Anode (A420 Aluminum) ♦#	224-49560-10	224-49560-10	224-49560-10
4	Cover Conduit/Ground	243-39451-00	243-39451-00	243-39451-00
5	Cover Junction Box	243-39452-00	243-39452-00	243-39452-00
6	Heat Trap Insert (Inlet)	239-51556-00	239-51556-00	239-51556-00
7	Cold Water Inlet Tube PEX ♦♦	229-51230-21	229-51230-21	229-51230-21
8	Upper Thermostat with High Limit (59T66) & Protector ▲ ■	415-51046-00	415-51046-00	415-51046-00
	Lower Thermostat (59T66) w/ Protector ▲ ■	415-51046-00	415-51046-00	415-51046-00
	Lower Thermostat with High Limit (59T66) ▲	415-50691-00	415-50691-00	415-50691-00
9	Heating Element 240V 4500W w/ Gasket μ	415-48642-00	415-48642-00	415-48642-00
10	Thermostat Mounting Bracket	415-50689-00	415-50689-00	415-50689-00
11	Access Cover	243-36618-02	243-36618-02	243-36618-02
12	Drain Valve	265-51684-02	265-51684-02	265-51684-02
13	ASSE Approved Mixing Valve	239-51778-00	239-51778-00	239-51778-00
14	Kit-Heat Trap Insert (PEX)	265-51572-00	265-51572-00	265-51572-00
15	Blanket Kit	---	---	---

♦ Order with item 2.

♦♦ Order with item 6.

▲ Thermostat protector provided with thermostat. The thermostat mounting bracket is also provided with the thermostat.

μ For other voltage and wattage combinations, refer to heating elements on page 14 & 15.

■ Upper and lower thermostats are packaged together.

# Anode may need to be cut to length, please see page 16 for reference chart of anode length by model.

**TOP LOCATION**

- Double element water heater, non-simultaneous single phase and three phase operation.

59T66T

415-51046-00

**TOP LOCATION**

- Double element water heater, simultaneous operation.

**BOTTOM LOCATION**

- Single element water heater.
- Double element water heater, non-simultaneous three phase operation.
- Double element water heater, simultaneous operation.

59T66T

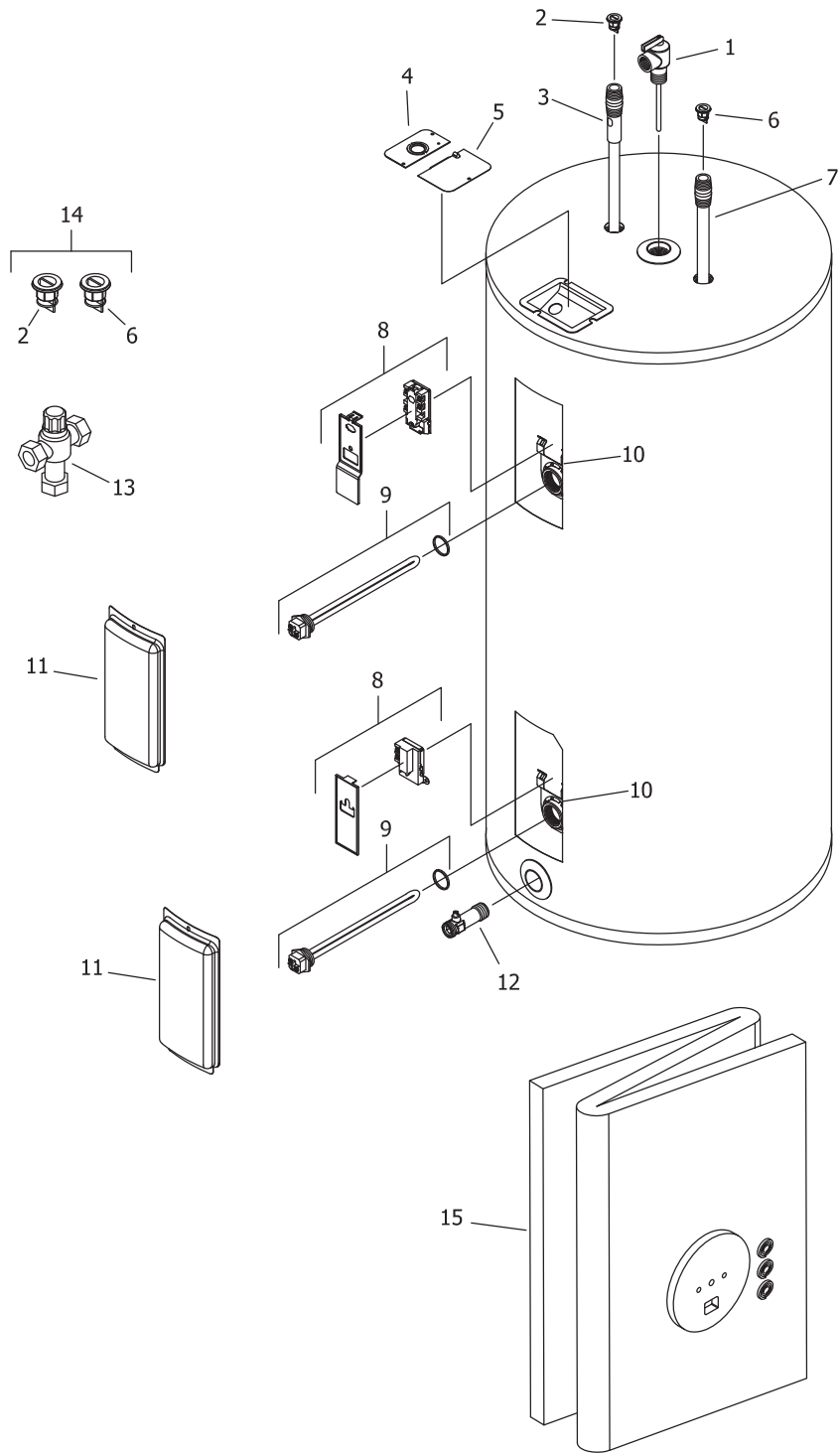
415-50691-00

**BOTTOM LOCATION**

- Double element water heater, non-simultaneous single phase operation

59T

415-51046-00



Item	Description	Model	Model	Model
		RE340T	RE265T	RE280T
1	T&P Relief Valve	230-40594-02	230-40594-02	230-40594-02
2	Heat Trap Insert (Outlet)	239-45167-00	239-45167-00	239-45167-00
3	Hot Water Outlet Anode (Magnesium) ♦#	224-47776-19	224-47776-19	224-47776-27
	Hot Water Outlet Anode (Aluminum) ♦#	224-32999-28	224-32999-28	224-32999-28
	Hot Water Outlet Anode (A420 Aluminum) ♦#	224-49560-10	224-49560-10	224-49560-10
4	Cover Conduit/Ground	243-39451-00	243-39451-00	243-39451-00
5	Cover Junction Box	243-39452-00	243-39452-00	243-39452-00
6	Heat Trap Insert (Inlet)	239-51556-00	239-51556-00	239-51556-00
7	Cold Water Inlet Tube PEX ♦♦	229-51230-28	229-51230-22	229-51230-33
8	Upper Thermostat with High Limit (59T66) & Protector ▲■	415-51046-00	415-51046-00	415-51046-00
	Lower Thermostat (59T) w/ Protector ▲■	415-51046-00	415-51046-00	415-51046-00
	Lower Thermostat with High Limit (59T66) ▲	415-50691-00	415-50691-00	415-50691-00
9	Heating Element 240V 4500W w/ Gasket μ (qty 2)	415-48642-00	415-48642-00	415-48642-00
10	Thermostat Mounting Bracket	415-50689-00	415-50689-00	415-50689-00
11	Access Cover	243-36618-02	243-36618-02	243-36618-02
12	Brass Drain Valve	265-51684-02	265-51684-02	265-51684-02
13	ASSE Approved Mixing Valve	239-51778-00	239-51778-00	239-51778-00
14	Kit-Heat Trap Insert (PEX)	265-51572-00	265-51572-00	265-51572-00
15	Blanket Kit	---	---	---

\* Bradford White Canada product only.

♦ Order with item 2.

♦♦ Order with item 6.

▲ Thermostat protector provided with thermostat. The thermostat mounting bracket is also provided with the thermostat.

μ For other voltage and wattage combinations, refer to heating elements on page 14 & 15.

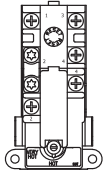
■ Upper and lower thermostats are packaged together.

# Anode may need to be cut to length, please see page 16 for reference chart of anode length by model.

**TOP LOCATION**

- Double element water heater, non-simultaneous single phase and three phase operation.

59T66T  
415-51046-00




---

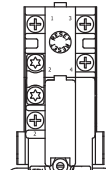
**TOP LOCATION**

- Double element water heater, simultaneous operation.

**BOTTOM LOCATION**

- Single element water heater.
- Double element water heater, non-simultaneous three phase operation.
- Double element water heater, simultaneous operation.

59T66T  
415-50691-00

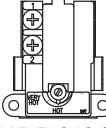
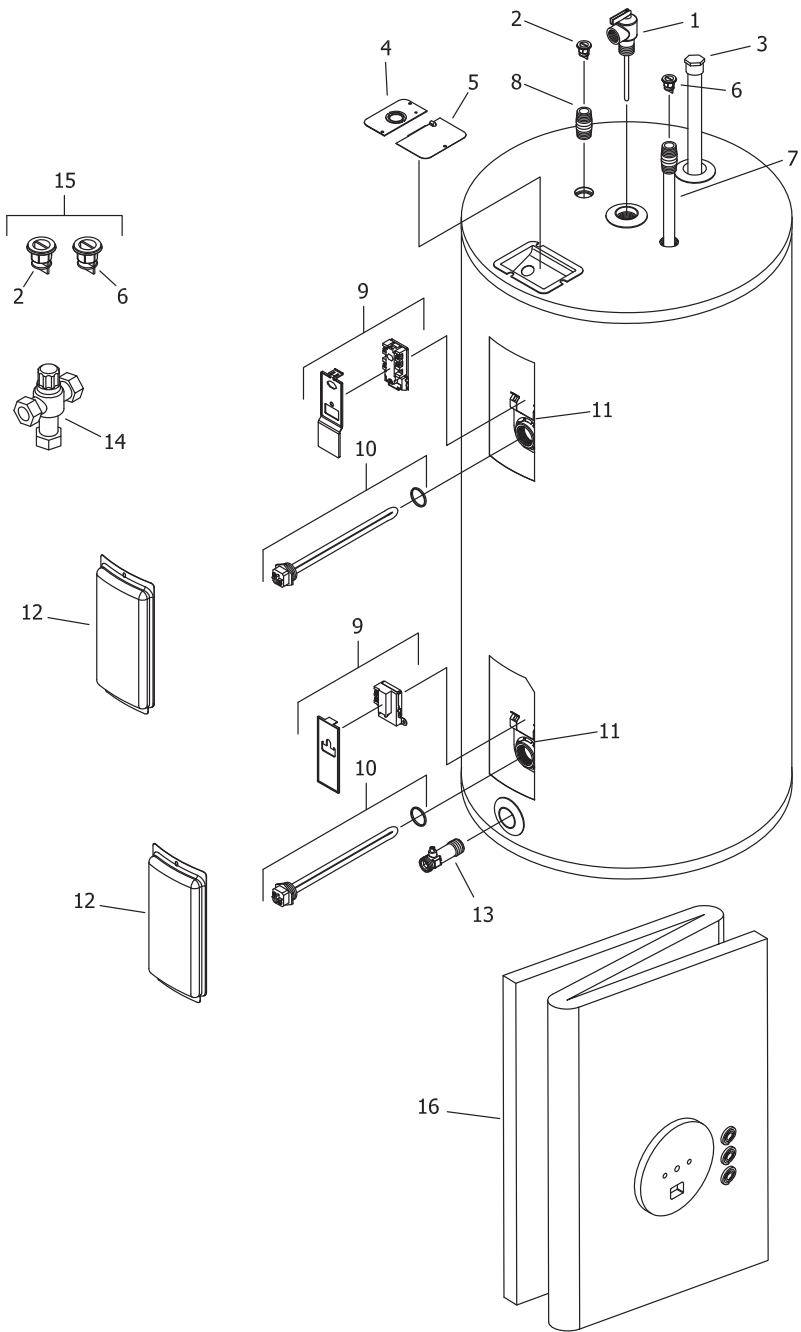
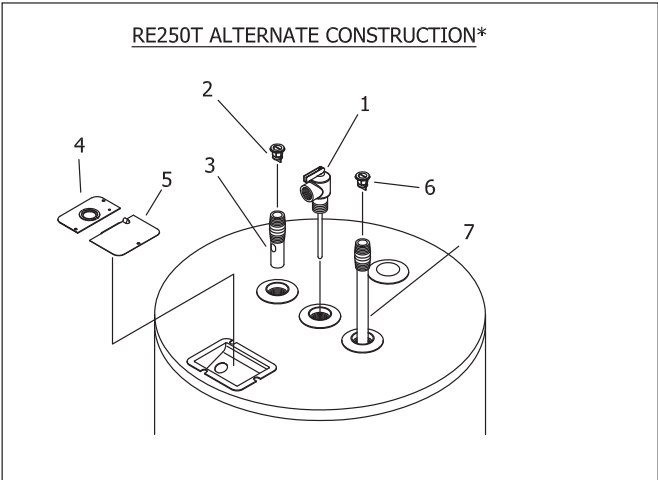



---

**BOTTOM LOCATION**

- Double element water heater, non-simultaneous single phase operation

59T  
415-51046-00



Item	Description	Model	Model
		RE250T	RE250T Alternate*
1	T&P Relief Valve	230-40594-02	230-40594-02
2	Heat Trap Insert (Outlet)	239-45167-00	239-45167-00
3	Hot Water Outlet Anode (Magnesium) ♦#	---	224-47776-19
	Hot Water Outlet Anode (Aluminum) ♦#	---	224-32999-28
	Hex head Sacrificial Anode (Aluminum) ♦#	224-38508-07	---
	Hot Water Outlet Anode (A420 Aluminum) ♦#	---	224-49560-10
4	Cover Conduit/Ground	243-39451-00	243-39451-00
5	Cover Junction Box	243-39452-00	243-39452-00
6	Heat Trap Insert (Inlet)	239-51556-00	239-51556-00
7	Cold Water Inlet Tube PEX ♦♦	229-51718-05	229-51718-05
8	Nipple outlet	229-50053-06	---
9	Upper Thermostat with High Limit (59T66) & Protector ▲■	415-51046-00	415-51046-00
	Lower Thermostat (59T) w/ Protector ▲■	415-51046-00	415-51046-00
	Lower Thermostat with High Limit (59T66) ▲	415-50691-00	415-50691-00
10	Heating Element 240V 4500W w/ Gasket μ (qty 2)	415-48642-00	415-48642-00
11	Thermostat Mounting Bracket	415-50689-00	415-50689-00
12	Access Cover	243-36618-02	243-36618-02
13	Brass Drain Valve	265-51684-01	265-51684-01
14	ASSE Approved Mixing Valve	239-51778-00	239-51778-00
15	Kit-Heat Trap Insert (PEX)	265-51572-00	265-51572-00
16	Blanket Kit	---	---

♦ Order with item 2.

♦♦ Order with item 6.

▲ Thermostat protector provided with thermostat. The thermostat mounting bracket is also provided with the thermostat.

μ For other voltage and wattage combinations, refer to heating elements on page 14 & 15.

■ Upper and lower thermostats are packaged together.

# Anode may need to be cut to length, please see page 16 for reference chart of anode length by model.

\* See RE250T alternate construction on page 8.

**TOP LOCATION**

- RE250L(N) & RE255T water heater, non-simultaneous single phase and three phase operation.

59T66T

415-54052-00

**TOP LOCATION**

- Double element water heater, non-simultaneous single phase and three phase operation except RE250L(N) & RE255T.

59T66T

415-51046-00

**TOP LOCATION**

- Double element water heater, simultaneous operation.

**BOTTOM LOCATION**

- Single element water heater.
- Double element water heater, non-simultaneous three phase operation.
- Double element water heater, simultaneous operation.

59T66T

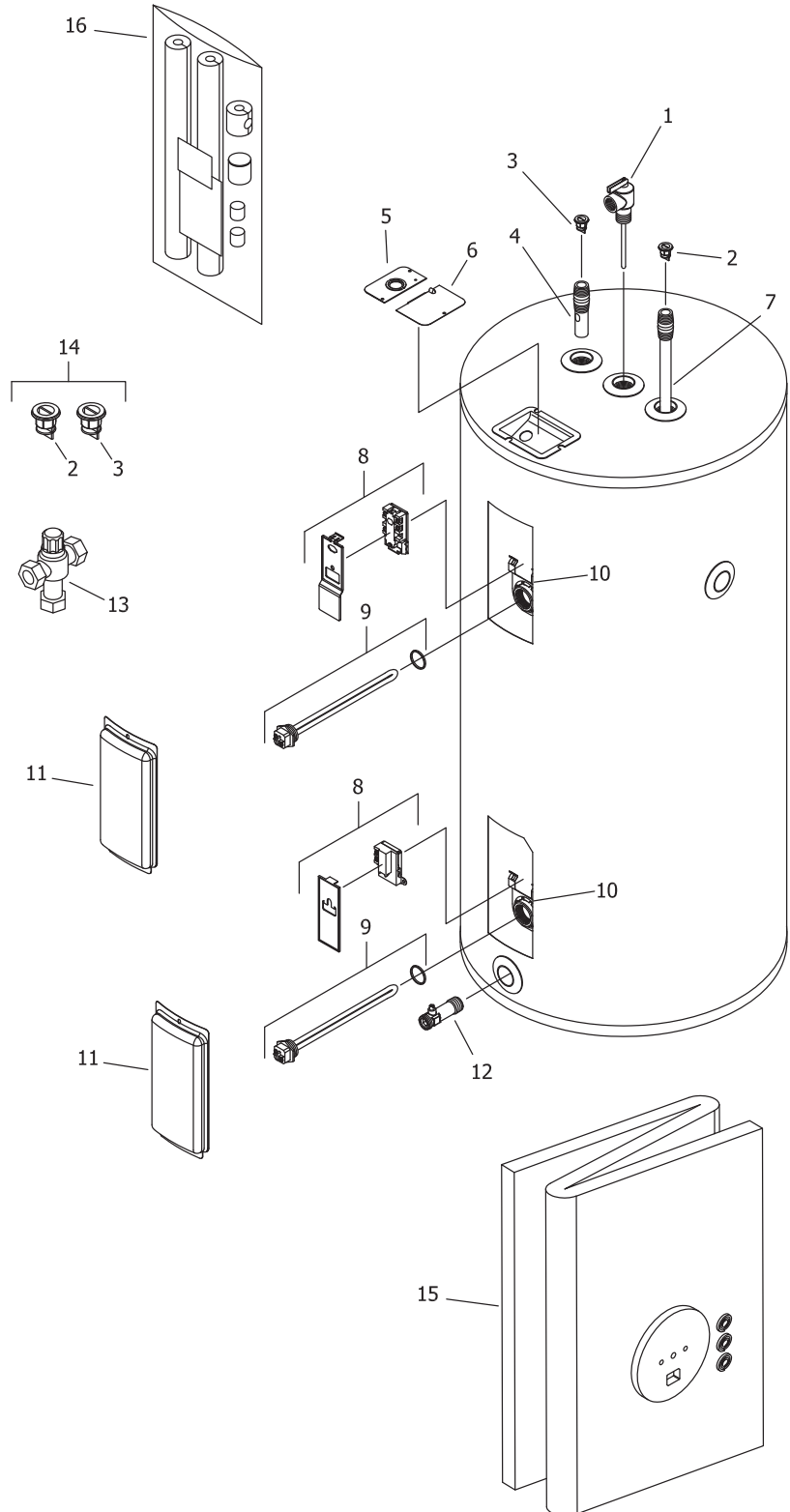
415-50691-00

**BOTTOM LOCATION**

- Double element water heater, non-simultaneous single phase operation

59T

415-51046-00



Item	Description	Model	Model
		RE230L	RE240L
1	T&P Relief Valve	230-40594-02	230-40594-02
2	Heat Trap Insert (Inlet)	239-51556-00	239-51556-00
3	Heat Trap Insert (Outlet)	239-45167-00	239-45167-00
4	Hot Water Outlet Anode (Magnesium) ♦#	224-47776-19	224-47776-19
	Hot Water Outlet Anode (Aluminum) ♦#	224-32999-28	224-32999-28
	Hot Water Outlet Anode (A420 Aluminum) ♦#	224-49560-10	224-49560-10
5	Cover Conduit/Ground	243-39451-00	243-39451-00
6	Cover Junction Box	243-39452-00	243-39452-00
7	Cold Water Inlet Tube Pex ♦♦	229-51718-04	229-51230-27
8	Hex head Sacrificial Anode (Aluminum) ♦#	---	
9	Upper Thermostat with High Limit (59T66) w/ Protector ▲■	415-51046-00	415-51046-00
	Lower Thermostat (59T) w/ Protector ▲■	415-51046-00	415-51046-00
	Lower Thermostat with High Limit (59T66) ▲	415-50691-00	415-50691-00
10	Heating Element 240V 4500W w/ Gasket μ (qty 2)	415-48642-00	415-48642-00
11	Thermostat Mounting Bracket	415-50689-00	415-50689-00
12	Access Cover	243-36618-02	243-36618-02
13	Drain Valve	265-51684-01	265-51684-01
14	ASSE Approved Mixing Valve	239-51778-00	239-51778-00
15	Kit-Heat Trap Insert (PEX)	265-51572-00	265-51572-00
16	Blanket Kit	239-50210-03	239-50210-04
17	Insulation Kit	239-48949-00	239-48949-00

♦ Order with item 2.

♦♦ Order with item 6.

▲ Thermostat protector provided with thermostat. The thermostat mounting bracket is also provided with the thermostat.

μ For other voltage and wattage combinations, refer to heating elements on page 14 & 15.

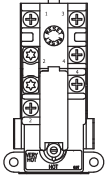
■ Upper and lower thermostats are packaged together.

# Anode may need to be cut to length, please see page 16 for reference chart of anode length by model.

**TOP LOCATION**

- RE250L(N) & RE255T water heater, non-simultaneous single phase and three phase operation.

59T66T



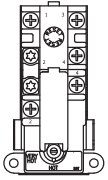
415-54052-00

---

**TOP LOCATION**

- Double element water heater, non-simultaneous single phase and three phase operation except RE250L(N) & RE255T.

59T66T



415-51046-00

---

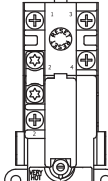
**TOP LOCATION**

- Double element water heater, simultaneous operation.

**BOTTOM LOCATION**

- Single element water heater.
- Double element water heater, non-simultaneous three phase operation.
- Double element water heater, simultaneous operation.

59T66T



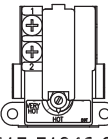
415-50691-00

---

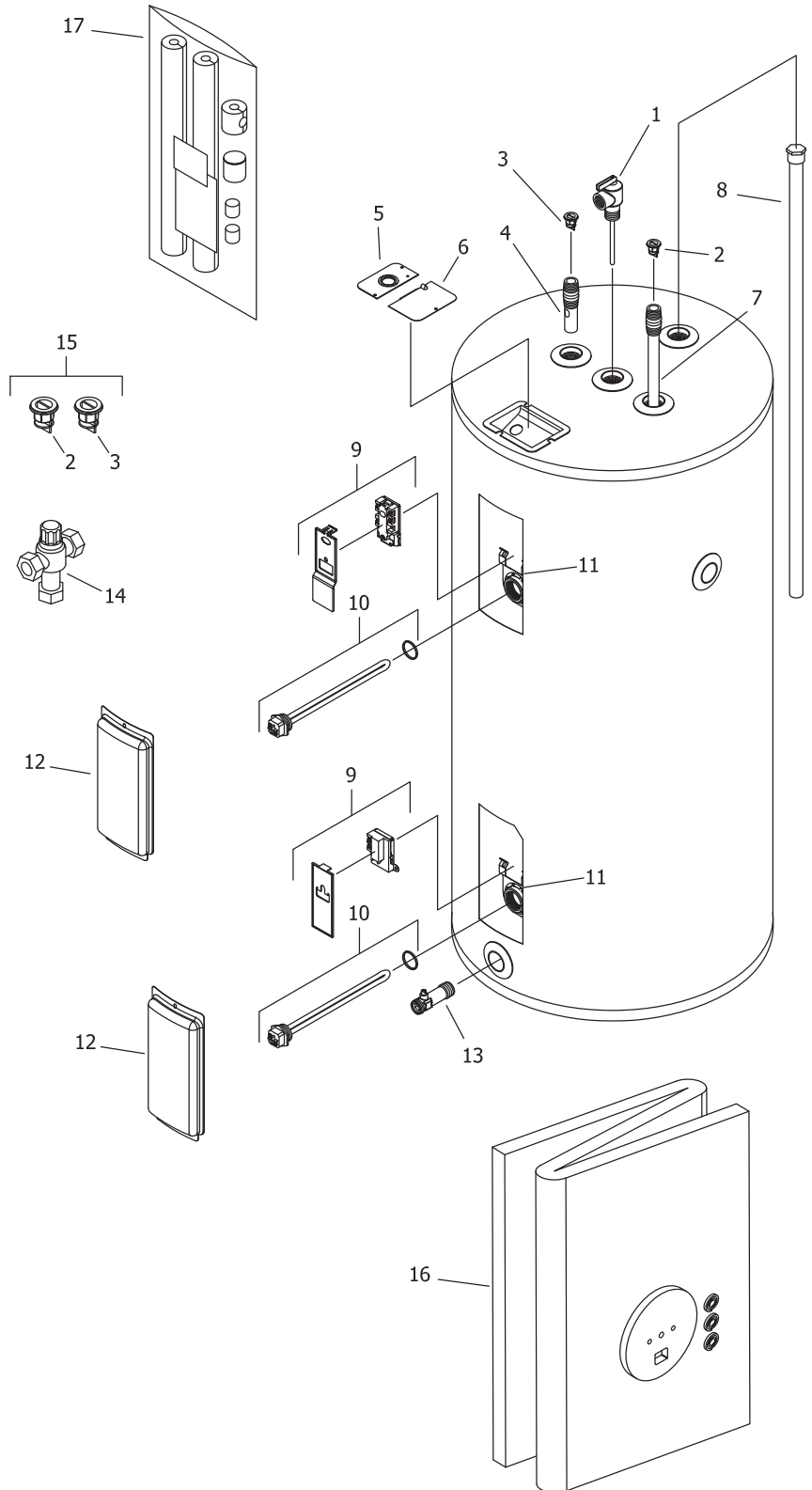
**BOTTOM LOCATION**

- Double element water heater, non-simultaneous single phase operation

59T



415-51046-00



Item	Description	Model	Model	Model	Model	Model
		RE130L	RE230LN	RE240LN	RE250L(N)	RE255T
1	T&P Relief Valve	230-40594-02	230-40594-02	230-40594-02	230-40594-02	230-40594-04
2	Heat Trap Insert (Inlet)	239-51556-00	239-51556-00	239-51556-00	239-51556-00	239-51556-00
3	Heat Trap Insert (Outlet)	239-51556-00	239-51556-00	239-51556-00	239-51556-00	239-45167-00
4	Hot Water Outlet Device ♦	229-51995-00	229-51995-00	229-51858-00	229-51858-00	229-50053-06
5	Cover Conduit/Ground	243-39451-00	243-39451-00	243-39451-00	243-39451-00	243-39451-00
6	Cover Junction Box	243-39452-00	243-39452-00	243-39452-00	243-39452-00	243-39452-00
7	Cold Water Inlet Tube PEX ♦	229-51718-03	229-51718-03	229-52007-01	229-51718-02	229-51718-05
8	Hex head Sacrificial Anode (Magnesium) #	224-47782-08	224-47782-08	224-47782-08	224-47782-08	224-47782-08
	Hex head Sacrificial Anode (Aluminum) #	224-38508-10	224-38508-10	224-38508-10	224-38508-10	224-38508-10
	Hex head Sacrificial Anode (A420 Aluminum) #	224-49559-04	224-49559-04	224-49559-04	224-49559-04	224-49559-04
9	Upper Thermostat with High Limit (59T66) & Protector ▲■	415-51046-00	415-51046-00	415-51046-00	415-54052-00	415-54052-00
	Lower Thermostat (59T) w/ Protector ▲■	415-51046-00	415-51046-00	415-51046-00	415-54052-00	415-54052-00
	Lower Thermostat with High Limit (59T66) ▲	415-50691-00	415-50691-00	415-50691-00	415-50691-00	415-50691-00
10	Heating Element 240V 4500W w/ Gasket μ (qty 2)	415-42544-08	415-42544-08	415-48642-00	415-48642-00	415-48642-00
11	Thermostat Mounting Bracket	415-50689-00	415-50689-00	415-50689-00	415-50689-00	415-50689-00
12	Access Cover	243-36618-02	243-36618-02	243-36618-02	243-36618-02	243-36618-02
13	Brass Drain Valve	265-42351-02	265-51684-02	265-51684-02	265-51684-01	265-51684-02
14	ASSE Approved Mixing Valve	239-51778-00	239-51778-00	239-51778-00	239-51778-00	239-51778-00
15	Kit-Heat Trap Insert (PEX)	265-51875-00	265-51875-00	265-51875-00	265-51875-00	265-51572-00
16	Blanket Kit	239-50210-06	---	---	---	---
17	Insulation Kit	239-48949-00	239-48949-00	239-48949-00	239-48949-00	---

♦ Order with item 2.

▲ Thermostat protector provided with thermostat. The thermostat mounting bracket is also provided with the thermostat.  
μ For other voltage and wattage combinations, refer to heating elements on page 14 & 15.

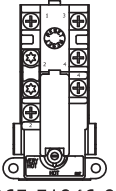
■ Upper and lower thermostats are packaged together.

# Anode may need to be cut to length, please see page 16 for reference chart of anode length by model.

**TOP LOCATION**

- Double element water heater, non-simultaneous single phase and three phase operation.

59T66T



265-51046-00

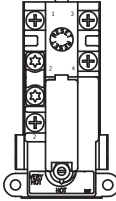
**TOP LOCATION**

- Double element water heater, simultaneous operation.

**BOTTOM LOCATION**

- Single element water heater.
- Double element water heater, non-simultaneous three phase operation.
- Double element water heater, simultaneous operation.

59T66T

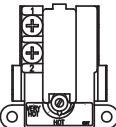


265-50691-00

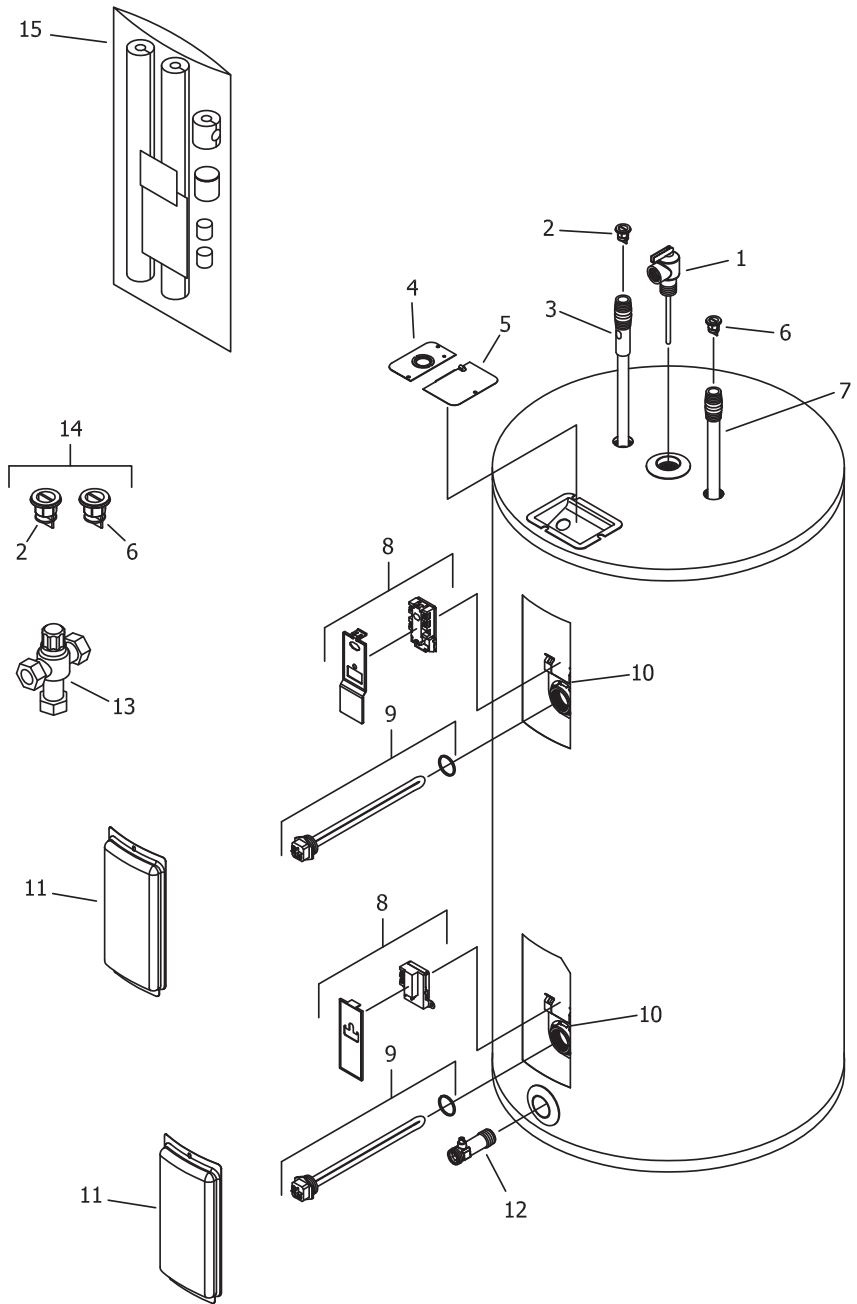
**BOTTOM LOCATION**

- Double element water heater, non-simultaneous single phase operation

59T



265-51046-00



Item	Description	Model	Model
		RE380T	RE3120T
1	T&P Relief Valve	230-40594-02	230-40594-02
2	Heat Trap Insert (Outlet)	239-45167-00	239-45167-00
3	Hot Water Outlet Anode (Magnesium) ♦#	224-47776-27	224-47780-01
	Hot Water Outlet Anode (Aluminum) ♦#	224-32999-28	224-32999-28
	Hot Water Outlet Anode (A420 Aluminum) ♦#	224-49560-10	222-49560-10
4	Cover Conduit/Ground	243-39451-00	243-39451-00
5	Cover Junction Box	243-39452-00	243-39452-00
6	Heat Trap Insert (Inlet)	239-51556-00	239-51556-00
7	Cold Water Inlet Tube PEX ♦♦	229-51230-33	229-45032-01
8	Upper Thermostat with High Limit (59T66) & Protector ▲■	415-51046-00	415-51046-00
	Lower Thermostat (59T) w/ Protector ▲■	415-51046-00	415-51046-00
	Lower Thermostat with High Limit (59T66) ▲	415-50691-00	415-50691-00
9	Heating Element 240V 4500W w/ Gasket μ (qty 2)	415-48642-00	415-48642-00
10	Thermostat Mounting Bracket	415-50689-00	415-50689-00
11	Access Cover	243-36618-02	243-36618-02
12	Brass Drain Valve	265-42351-04	265-42351-04
13	ASSE Approved Mixing Valve	239-51778-00	239-51778-00
14	Kit-Heat Trap Insert (PEX)	265-51572-00	265-51572-00
15	Insulation Kit	239-48949-00	239-48949-00

♦ Order with item 2.

♦♦ Order with item 6.

▲ Thermostat protector provided with thermostat. The thermostat mounting bracket is also provided with the thermostat.

μ For other voltage and wattage combinations, refer to heating elements on page 14 & 15.

■ Upper and lower thermostats are packaged together.

# Anode may need to be cut to length, please see page 16 for reference chart of anode length by model.

Item	Description	Model	Model
		RE380T	RE3120T
1	T&P Relief Valve	230-40594-02	230-40594-02
2	Heat Trap Insert (Outlet)	239-45167-00	239-45167-00
3	Hot Water Outlet Anode (Magnesium) ♦#	224-47776-27	224-47780-01
	Hot Water Outlet Anode (Aluminum) ♦#	224-32999-28	224-32999-28
	Hot Water Outlet Anode (A420 Aluminum) ♦#	224-49560-10	222-49560-10
4	Cover Conduit/Ground	243-39451-00	243-39451-00
5	Cover Junction Box	243-39452-00	243-39452-00
6	Heat Trap Insert (Inlet)	239-51556-00	239-51556-00
7	Cold Water Inlet Tube PEX ♦♦	229-51230-33	229-45032-01
8	Upper Thermostat with High Limit (59T66) & Protector ▲■	415-51046-00	415-51046-00
	Lower Thermostat (59T) w/ Protector ▲■	415-51046-00	415-51046-00
	Lower Thermostat with High Limit (59T66) ▲	415-50691-00	415-50691-00
9	Heating Element 240V 4500W w/ Gasket μ (qty 2)	415-48642-00	415-48642-00
10	Thermostat Mounting Bracket	415-50689-00	415-50689-00
11	Access Cover	243-36618-02	243-36618-02
12	Brass Drain Valve	265-42351-04	265-42351-04
13	ASSE Approved Mixing Valve	239-51778-00	239-51778-00
14	Kit-Heat Trap Insert (PEX)	265-51572-00	265-51572-00
15	Insulation Kit	239-48949-00	239-48949-00

♦ Order with item 2.

♦♦ Order with item 6.

▲ Thermostat protector provided with thermostat. The thermostat mounting bracket is also provided with the thermostat.

μ For other voltage and wattage combinations, refer to heating elements on page 14 & 15.

■ Upper and lower thermostats are packaged together.

# Anode may need to be cut to length, please see page 16 for reference chart of anode length by model.



**Heating Elements (Copper) for:  
Residential Series (RE)  
Light Duty (LE) Commercial Series  
Medium Duty (E32) Commercial Series  
Commercial (MII) Series**

Wattage	120 Volt	208 Volt	240 Volt	277 Volt	380 Volt
1000W ▲	415-42540-01	415-42544-01	415-42546-01	N/A	N/A
1250W ▲	N/A	N/A	415-42544-13	N/A	N/A
1500W ▲	415-42540-02	415-42544-03	415-42544-01	N/A	N/A
1500W (LWD) ▲	415-42540-03	N/A	415-42544-02	N/A	N/A
2000W ▲	415-42540-04	415-42544-04	415-42544-03	N/A	N/A
2500W ▲	415-42540-05	415-42544-06	415-42544-04	N/A	N/A
3000W ▲	415-42540-07	415-42544-14	415-42544-05	N/A	N/A
3500W ▲▲	N/A	415-42544-08	415-42544-06	N/A	N/A
3800W ▲▲	N/A	N/A	415-42546-10	N/A	N/A
4000W ▲▲	N/A	415-42544-16	415-42544-14	N/A	N/A
4500W ▲▲	N/A	415-42544-12	415-42544-08	N/A	N/A
4500W (LWD) ▲▲	N/A	N/A	415-51333-09	N/A	N/A
5000W ▲▲	N/A	N/A	415-42544-10	N/A	N/A
5500W ▲▲	N/A	N/A	415-42544-16	N/A	N/A
6000W ▲▲	N/A	N/A	415-42544-12	N/A	N/A
Element gasket ^	223-34019-00	223-34019-00	223-34019-00	223-34019-00	223-34019-00
Element plug	223-34020-00	223-34020-00	223-34020-00	223-34020-00	223-34020-00

(LWD) = Low Watt Density

- ▲ For 12" Diameter tanks and above.
- ▲▲ For 14" Diameter tanks and above.
- \* For 16" Diameter tanks and above.
- \*\* For 18" Diameter tanks and above.
- ^ Element gaskets included with elements.

**Heating Elements (Incoloy) for:  
Residential Series (RE)  
Light Duty (LE) Commercial Series  
Medium Duty (E32) Commercial Series  
Commercial (MII) Series**

Wattage	120 Volt	208 Volt	240 Volt	277 Volt	380 Volt
1000W ▲	N/A	415-42545-13	415-42547-10	N/A	N/A
1250W ▲	N/A	N/A	N/A	N/A	N/A
1500W ▲	415-42541-02	415-42545-02	415-42545-13	415-42547-10	415-42551-12
1500W (LWD) ▲	N/A	N/A	N/A	N/A	N/A
2000W ▲	N/A	415-42545-14	415-42545-02	415-42547-07	415-42549-04
2500W ▲	N/A	415-42545-11	415-42545-14	415-42547-11	415-42551-13
3000W ▲	N/A	415-42545-12	415-42545-15	415-42547-08	415-42551-10
3500W ▲▲	N/A	415-51328-07	415-42545-11	N/A	415-42551-14
3800W ▲▲	N/A	N/A	415-42547-15	N/A	N/A
4000W ▲▲	N/A	415-42545-17	415-42545-12	415-42547-03	415-42551-16
4500W ▲▲	N/A	415-42545-19	415-51328-07	415-42547-12	415-42551-17
4500W (LWD) ▲▲	N/A	N/A	N/A	N/A	N/A
5000W ▲▲	N/A	415-42543-04	415-42545-18	415-42547-15	415-42553-11
5500W ▲▲	N/A	415-42543-05	415-42545-17	415-42547-13	415-42549-06
6000W ▲▲	N/A	415-42543-06	415-42545-19	415-42547-14	415-42549-05
Element gasket ^	223-34019-00	223-34019-00	223-34019-00	223-34019-00	223-34019-00
Element plug	223-34020-00	223-34020-00	223-34020-00	223-34020-00	223-34020-00

(LWD) = Low Watt Density

Element wrench \*\*\* 415-35897-12

Adapt-a-flange kit \*\*\* 265-36968-12

\*\*\* For use with residential, LD, E32, and MII series heating elements only. Not for use with commercial "A" series heating elements.

▲ For 12" Diameter tanks and above.

▲▲ For 14" Diameter tanks and above.

\* For 16" Diameter tanks and above.

\*\* For 18" Diameter tanks and above.

^ Element gaskets included with elements.

## Reference Chart of Anode Length by Model

Model	AOD Anode Cut (End to end)		Hex Head Anode Cut Length (End to end)	
	Inches	Millimeters	Inches	Millimeters
RE230S	39.13	994	---	---
RE240S	39.13	994	---	---
RE250S	39.13	994	---	---
RE330S	39.13	994	---	---
RE340S	39.13	994	---	---
RE350S	39.13	994	---	---
RE340T	44.63	1133.6	---	---
RE265T	51.13	1303	---	---
RE280T	51.63	1316	---	---
RE250T	44.63	1133.6	43.5	1105
RE255T	---	---	47	1194
RE230L	27.13	690	---	---
RE240L	27.13	690	---	---
RE130L	---	---	23	584
RE230LN	---	---	23	584
RE240LN	---	---	23	584
RE250L(N)	---	---	23	584
RE380T	51.63	1316	---	---
RE3120T	50.81	1291	---	---



## United States

---

**Sales** 800-523-2931

**Technical Support** 800-334-3393

**Email** [techserv@bradfordwhite.com](mailto:techserv@bradfordwhite.com)

**Warranty** 800-531-2111

**Email** [warranty@bradfordwhite.com](mailto:warranty@bradfordwhite.com)

**Service Parts** 800-538-2020

**Email** [parts@bradfordwhite.com](mailto:parts@bradfordwhite.com)

## Canada

---

**Sales & Technical Support** 866-690-0961 905-203-0600

**Fax** 905-636-0666

**Warranty** [bwccwarranty@bradfordwhite.com](mailto:bwccwarranty@bradfordwhite.com)

**Technical Support** [bwccotech@bradfordwhite.com](mailto:bwccotech@bradfordwhite.com)

**Service Parts** [orders@bradfordwhitecanada.com](mailto:orders@bradfordwhitecanada.com)

**Orders** [ca.orders@bradfordwhite.com](mailto:ca.orders@bradfordwhite.com)

For U.S. and Canada field service,  
contact your professional installer or  
local Bradford White sales representative.

## International

---

**General Contact** [international@bradfordwhite.com](mailto:international@bradfordwhite.com)