

## Residential Power Vent Gas Water Heater



Photo is of  
RG2PV50H6N

**FEATURING:**



**The TTW® Models Feature:**

- **ENERGY STAR® Qualified**—Some models meet or exceed requirements for ENERGY STAR® per the latest ENERGY STAR® criteria revision, as well as most utility rebate programs.
- **Bradford White ICON System®**—Intelligent gas control with spark to pilot ignition system eliminates the constant burning pilot. This results in savings of pilot gas during standby periods (120 VAC).
  - **Enhanced Performance**—Proprietary algorithms provide enhanced First Hour Rating and tighter temperature differential.
  - **Advanced Temperature Control System**—Microprocessor constantly monitors and controls burner operation to maintain consistent and accurate water temperature levels.
  - **Intelligent Diagnostics**—An exclusive green LED light prompts the installer during start-up and provides ten different diagnostic codes to assist in troubleshooting.
  - **Pilot On Indication**—Flashing green LED provides positive indication that pilot is on.
  - **Separate Immersed Thermowell**—High-strength advanced polymer composite thermowell provides isolation between electric temperature sensor and surrounding water. No need to drain the tank when removing gas valve.
- **Power Vent Water Heater**—Designed for installations where atmospheric units cannot be used. Exhaust gases are vented under positive pressure directly out of the building through the roof or the wall.
- **Powerful Blower Motor**—Our significantly quiet design has greater resistance to outside winds and the power to vent in many difficult venting situations.
  - Ten Foot (3 meter) Power Cord—Included (120 VAC).
- **Horizontal and Vertical Venting**—PVC, ABS or CPVC (Maximum equivalent vent length on reverse side).
- **Advanced ScreenLok® Technology Flame Arrestor Design**—Flame arrestor is designed to prevent ignition of flammable vapor outside of the water heater (excluding RG1PV55H6N & RG2PV75H6N).
- **Flammable Vapor Sensor**—Electronic sensor prevents burner operation if flammable vapors are detected. The sensor will also prevent operation if there is ongoing flammable vapors burning inside the combustion chamber (excluding RG1PV55H6N & RG2PV75H6N).
- **Maintenance-Free**—No regular cleaning of air inlet openings or flame arrestor is required under normal conditions (excluding RG1PV55H6N & RG2PV75H6N).
- **Sight Window**—Offers a view into the combustion chamber to observe the operation of the pilot and burner.
- **Factory-Installed Hydrojet® Total Performance System**—Sediment reducing device that also increases first hour rating of hot water while minimizing temperature build-up in tank.
- **Vitraglas® Lining**—An exclusively engineered enamel formula that provides superior tank protection from the highly corrosive effects of hot water. This formula (Vitraglas®) is fused to the steel surface by firing at a temperature of over 1600°F (871°C).
- **Insulation System**—Non-CFC foam covers the sides and top of the tank, reducing heat loss. This results in less energy consumption, improved efficiencies, and jacket rigidity.
- **Water Connections**—3/4" (19mm) NPT factory-installed true dielectric fittings extend water heater life and simplify water line connections.
- **3/4" (19mm) NPT Side Connections**—(RG2PV50H6N, RG1PV55H6N, and RG2PV75H6N only).
- **Factory-Installed Heat Traps**—Design incorporates a flexible disk that reduces heat loss in piping and eliminates the potential for noise generation.
- **Protective Anode Rod**—(RG1PV55H6N has 2).
- **T&P Relief Valve**—Installed.
- **Thermostatic Mixing Valve (ASSE Approved)**—Included (RG1PV55H6N only).
- **Low Restrictive Brass Drain Valve**—Durable tamper proof design.
- **NOx Emissions**—Less than 40 ng/J.

**6 or 10-Year Limited Tank Warranties / 6 or 10-Year Limited Warranty on Component Parts.**

For more information on warranty, please visit [www.bradfordwhite.com](http://www.bradfordwhite.com)

For products installed in USA, Canada, and Puerto Rico. Some states do not allow limitations on warranties. See complete copy of the warranty included with the heater.

# Residential Power Vent Gas Water Heater

## Power Vent Models

NATURAL GAS AND LIQUID PROPANE GAS

Meet or exceed ASHRAE 90.1b (current standard) C.E.C. Listed  
80% Recovery Efficiency

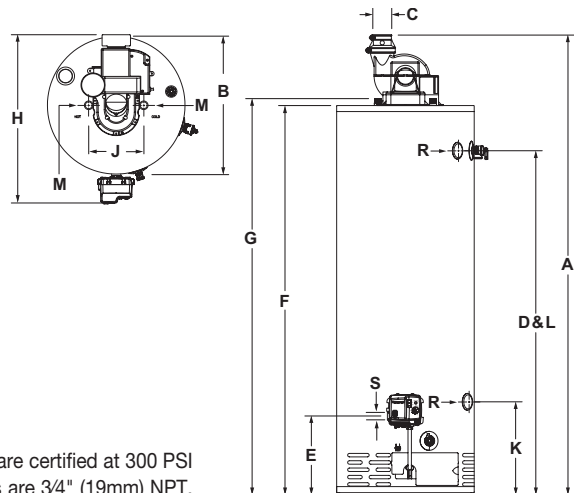
| Model Number | Nominal Gal. Capacity |           | DOE Rated Storage Volume (Gal.) | BTU/Hr. Input | LP BTU/Hr. Input | First Hour Rating (Gal.) | Uniform Energy Factor | Recovery at 90°F Rise* |          |          | Model Number | Nominal Liter Capacity | DOE Rated Storage Volume (Liters) | kW Input | LP kW Input | First Hour Rating (Liters) | Uniform Energy Factor | Recovery at 50°C Rise* |             |                |
|--------------|-----------------------|-----------|---------------------------------|---------------|------------------|--------------------------|-----------------------|------------------------|----------|----------|--------------|------------------------|-----------------------------------|----------|-------------|----------------------------|-----------------------|------------------------|-------------|----------------|
|              | U.S. Gal.             | Imp. Gal. |                                 |               |                  |                          |                       | U.S. GPH               | Imp. GPH | U.S. GPH |              |                        |                                   |          |             |                            |                       | Imp. GPH               | Liters/Hour | LP Liters/Hour |
| RG1PV40S6N   | 40                    | 33        | 38                              | 40,000        | 38,000           | 62                       | 0.61                  | 43                     | 36       | 41       | 34           | RG1PV40S6N             | 151                               | 144      | 11.7        | 11.1                       | 235                   | 0.61                   | 163         | 155            |
| RG1PV50S6N   | 50                    | 42        | 48                              | 40,000        | 38,000           | 77                       | 0.63                  | 43                     | 36       | 41       | 34           | RG1PV50S6N             | 189                               | 182      | 11.7        | 11.1                       | 292                   | 0.63                   | 163         | 155            |
| ★ RG2PV40S6N | 40                    | 33        | 38                              | 40,000        | 38,000           | 70                       | 0.67                  | 43                     | 36       | 41       | 34           | ★ RG2PV40S6N           | 151                               | 144      | 11.7        | 11.1                       | 265                   | 0.67                   | 163         | 155            |
| ★ RG2PV50S6N | 50                    | 42        | 48                              | 40,000        | 38,000           | 75                       | 0.70                  | 43                     | 36       | 41       | 34           | ★ RG2PV50S6N           | 189                               | 182      | 11.7        | 11.1                       | 284                   | 0.70                   | 163         | 155            |
| ★ RG2PV40T6N | 40                    | 33        | 38                              | 40,000        | 40,000           | 75                       | 0.68                  | 43                     | 36       | 43       | 36           | ★ RG2PV40T6N           | 151                               | 144      | 11.7        | 11.7                       | 284                   | 0.68                   | 163         | 163            |
| ★ RG2PV50T6N | 50                    | 42        | 48                              | 40,000        | 40,000           | 71                       | 0.67                  | 43                     | 36       | 43       | 36           | ★ RG2PV50T6N           | 189                               | 182      | 11.7        | 11.7                       | 269                   | 0.67                   | 163         | 163            |
| ★ RG2PV50H6N | 48                    | 42        | 46                              | 65,000        | 58,000           | 116                      | 0.68                  | 70                     | 58       | 62       | 52           | ★ RG2PV50H6N           | 182                               | 174      | 19.1        | 17.0                       | 440                   | 0.68                   | 265         | 235            |
| RG1PV55H6N   | 55                    | 46        | 55                              | 78,000        | 78,000           | 125                      | 0.68                  | 84                     | 70       | 84       | 70           | RG1PV55H6N             | 208                               | 208      | 22.9        | 22.9                       | 474                   | 0.68                   | 318         | 317            |
| RG2PV75H6N   | 75                    | 62        | 72                              | 76,000        | 75,500           | 121                      | 0.69                  | 82                     | 68       | 81       | 67           | RG2PV75H6N             | 284                               | 235      | 22.3        | 22.1                       | 459                   | 0.69                   | 310         | 307            |

| Model Number | A Floor to Vent Conn. in. | B Jacket Dia. in. | C Vent Size in. | D Floor to T&P Conn. in. | E Floor to Gas Conn. in. | F Floor to Top of Heater in. | G Floor to Water Conn. in. | H Depth in. | J C/L of Water Conn. in. | K Floor to Space Heating Inlet in. | L Floor to Space Heating Outlet in. | M Water Conn. NPT in. | R Space Heating Conn. Size in. | S Gas Conn. Size in. | Approx. Shipping Weight lbs. |
|--------------|---------------------------|-------------------|-----------------|--------------------------|--------------------------|------------------------------|----------------------------|-------------|--------------------------|------------------------------------|-------------------------------------|-----------------------|--------------------------------|----------------------|------------------------------|
| RG1PV40S6N   | 57 1/2                    | 20                | 2 or 3          | 40                       | 11 1/2                   | 46 1/2                       | 49                         | 25 15/16    | 8                        | N/A                                | N/A                                 | 3/4                   | N/A                            | 1/2                  | 140                          |
| RG1PV50S6N   | 58 7/16                   | 22                | 2 or 3          | 40 5/8                   | 11 1/2                   | 48 3/16                      | 50 1/2                     | 27 3/16     | 8                        | N/A                                | N/A                                 | 3/4                   | N/A                            | 1/2                  | 166                          |
| ★ RG2PV40S6N | 57 1/2                    | 22                | 2 or 3          | 40 1/8                   | 11 1/2                   | 47 3/16                      | 49                         | 27 1/8      | 8                        | N/A                                | N/A                                 | 3/4                   | N/A                            | 1/2                  | 142                          |
| ★ RG2PV50S6N | 58 1/2                    | 24                | 2 or 3          | 40 5/8                   | 11 1/2                   | 48 3/16                      | 50 1/2                     | 28 7/8      | 8                        | N/A                                | N/A                                 | 3/4                   | N/A                            | 1/2                  | 168                          |
| ★ RG2PV40T6N | 67 1/16                   | 20                | 2 or 3          | 49 11/16                 | 11 1/2                   | 56 3/4                       | 58                         | 26 1/16     | 8                        | N/A                                | N/A                                 | 3/4                   | N/A                            | 1/2                  | 146                          |
| ★ RG2PV50T6N | 67 7/8                    | 22                | 2 or 3          | 50 9/16                  | 11 1/2                   | 57 9/16                      | 58                         | 27 3/16     | 8                        | N/A                                | N/A                                 | 3/4                   | N/A                            | 1/2                  | 173                          |
| ★ RG2PV50H6N | 66 1/2                    | 22                | 3 or 4          | 49 7/8                   | 11 1/2                   | 56 3/4                       | 57 3/4                     | 26 15/16    | 11                       | 13 3/8                             | 49 7/8                              | 3/4                   | 3/4                            | 1/2                  | 187                          |
| RG1PV55H6N   | 64 9/16                   | 22                | 3 or 4          | 47 15/16                 | 11 1/2                   | 54 3/4                       | 56                         | 27 3/16     | 7 3/4                    | 13 3/8                             | 47 15/16                            | 3/4                   | 3/4                            | 1/2                  | 219                          |
| RG2PV75H6N   | 69 1/2                    | 26                | 3 or 4          | 51 15/16                 | 13 15/16                 | 59 11/16                     | 60 3/4                     | 30 11/16    | 11                       | 16 11/16                           | 51 15/16                            | 3/4                   | 3/4                            | 1/2                  | 260                          |

| Model Number | A Floor to Vent Conn. mm. | B Jacket Dia. mm. | C Vent Size mm. | D Floor to T&P Conn. mm. | E Floor to Gas Conn. mm. | F Floor to Top of Heater mm. | G Floor to Water Conn. mm. | H Depth mm. | J C/L of Water Conn. mm. | K Floor to Space Heating Inlet mm. | L Floor to Space Heating Outlet mm. | M Water Conn. NPT mm. | R Space Heating Conn. Size mm. | S Gas Conn. Size mm. | Approx. Shipping Weight kg. |
|--------------|---------------------------|-------------------|-----------------|--------------------------|--------------------------|------------------------------|----------------------------|-------------|--------------------------|------------------------------------|-------------------------------------|-----------------------|--------------------------------|----------------------|-----------------------------|
| RG1PV40S6N   | 1461                      | 508               | 51 or 76        | 1016                     | 292                      | 1181                         | 1245                       | 659         | 203                      | N/A                                | N/A                                 | 19                    | N/A                            | 13                   | 64                          |
| RG1PV50S6N   | 1484                      | 559               | 51 or 76        | 1032                     | 292                      | 1224                         | 1283                       | 691         | 203                      | N/A                                | N/A                                 | 19                    | N/A                            | 13                   | 75                          |
| ★ RG2PV40S6N | 1461                      | 559               | 51 or 76        | 1019                     | 292                      | 1199                         | 1245                       | 689         | 203                      | N/A                                | N/A                                 | 19                    | N/A                            | 13                   | 64                          |
| ★ RG2PV50S6N | 1486                      | 610               | 51 or 76        | 1032                     | 292                      | 1244                         | 1283                       | 733         | 203                      | N/A                                | N/A                                 | 19                    | N/A                            | 13                   | 76                          |
| ★ RG2PV40T6N | 1703                      | 508               | 51 or 76        | 1262                     | 292                      | 1441                         | 1473                       | 662         | 203                      | N/A                                | N/A                                 | 19                    | N/A                            | 13                   | 66                          |
| ★ RG2PV50T6N | 1724                      | 559               | 51 or 76        | 1284                     | 292                      | 1462                         | 1473                       | 691         | 203                      | N/A                                | N/A                                 | 19                    | N/A                            | 13                   | 78                          |
| ★ RG2PV50H6N | 1689                      | 559               | 76 or 102       | 1267                     | 292                      | 1441                         | 1467                       | 684         | 279                      | 340                                | 1267                                | 19                    | 19                             | 13                   | 85                          |
| RG1PV55H6N   | 1640                      | 559               | 76 or 102       | 1218                     | 292                      | 1391                         | 1422                       | 691         | 197                      | 340                                | 1218                                | 19                    | 19                             | 13                   | 99                          |
| RG2PV75H6N   | 1689                      | 660               | 76 or 102       | 1319                     | 354                      | 1516                         | 1543                       | 779         | 279                      | 424                                | 1319                                | 19                    | 19                             | 13                   | 118                         |

Propane models feature a Titanium Stainless Steel propane burner. For Propane (LP) models change suffix "N" to "X". For 10 year models, change suffix from "6" to "10" (Not available on RG1PV55H6N). \*Based on manufacturer's rated recovery efficiency. 120 VAC Required for Power Venting / 120 VAC, 60Hz., 3.1 Amperes. Uniform Energy Factor and First Hour Rating is based on the latest AHRI directory listings.

★ = ENERGY STAR® Qualified. 



| RG2PV40S6N<br>RG2PV50S6N<br>RG1PV40S6N | RG1PV50S6N<br>RG2PV40T6N<br>RG2PV50T6N            | 2" (51mm)<br>Vent Pipe                          | 3" (76mm)<br>Vent Pipe | RG2PV50H6N<br>RG1PV55H6N<br>RG2PV75H6N | 3" (76mm)<br>Vent Pipe                            | 4" (102mm)<br>Vent Pipe                         |
|--|---|---|------------------------|--|---|---|
| Max. Equivalent Length                 | †50 ft. †15.2m                                    | †120 ft. †37.0m                                 |                        | Max. Equivalent Length                 | †50 ft. †15.2m                                    | †180 ft. †55.0m                                 |
| Min. Equivalent Length                 | 7 ft. 2.1m  | 15 ft. 4.6m                                     |                        | Min. Equivalent Length                 | 7 ft. 2.1m  | 15 ft. 4.6m                                     |
| Number of 90° Elbows                   | 1 45 ft. 13.7m<br>2 40 ft. 12.2m<br>3 35 ft. 10.7 | 115 ft. 35.0m<br>110 ft. 33.6m<br>105 ft. 32.0m |                        | Number of 90° Elbows                   | 1 45 ft. 13.7m<br>2 40 ft. 12.2m<br>3 35 ft. 10.7 | 175 ft. 53.3m<br>170 ft. 52.0m<br>165 ft. 50.3m |

Subtract 5ft. (1.5m) for each additional 90° elbow  
† For high altitude installations, consult the installation instructions.

**General: Meets NAECA or EPACT Requirements, as applicable.** All gas water heaters are certified at 300 PSI (2068 kPa) test pressure and 150 PSI (1034 kPa) working pressure. All water connections are 3/4" (19mm) NPT, all gas connections are 1/2" (13mm). All models design-certified by CSA International (formerly AGA/CGA), ANSI Z21.10.1 and/or Z21.10.3 and peak performance rated.

**Dimensions and specifications subject to change without notice in accordance with our policy of continuous product improvement.**

**Suitable for Water (Potable) Heating and Space Heating.** Toxic chemicals, such as those used for boiler treatment, shall NEVER be introduced into this system. This unit may NEVER be connected to any existing heating system or component(s) previously used with a non-potable water heating appliance.

— BRADFORD WHITE IS —



Sales: 800-523-2931 ■ Fax 215-641-1612

24/7 Technical Support: 800-334-3393 ■ Email techserv@bradfordwhite.com

Products made by Bradford White are manufactured in the United States using the finest raw materials and components from around the world.

**Built to be the Best**