



**BRADFORD WHITE**<sup>®</sup>  
W A T E R   H E A T E R S

**REPLACEMENT PARTS LIST**  
**Ultra Low NOx**  
**Residential & Light Duty Commercial Gas**  
**Power Direct Vent Models**

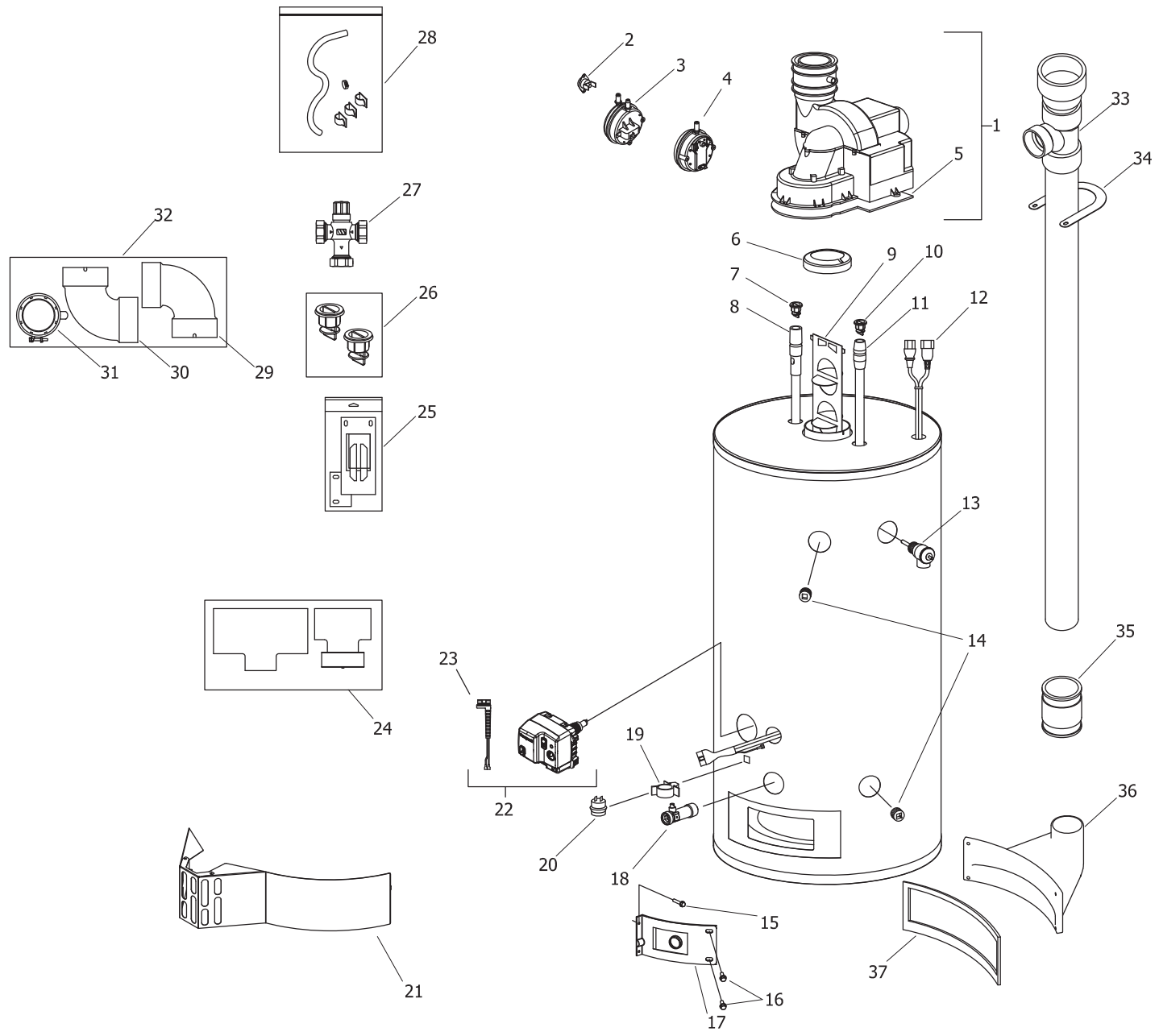


Includes Hydrojet<sup>®</sup>  
Total Performance System

***Effective: May, 2015***  
***ECO 7950***

**NOTE: BOTH MODEL AND SERIAL  
NUMBERS ARE REQUIRED FOR  
ORDERING REPLACEMENT PARTS**

Dimensions and specifications  
subject to change without notice.



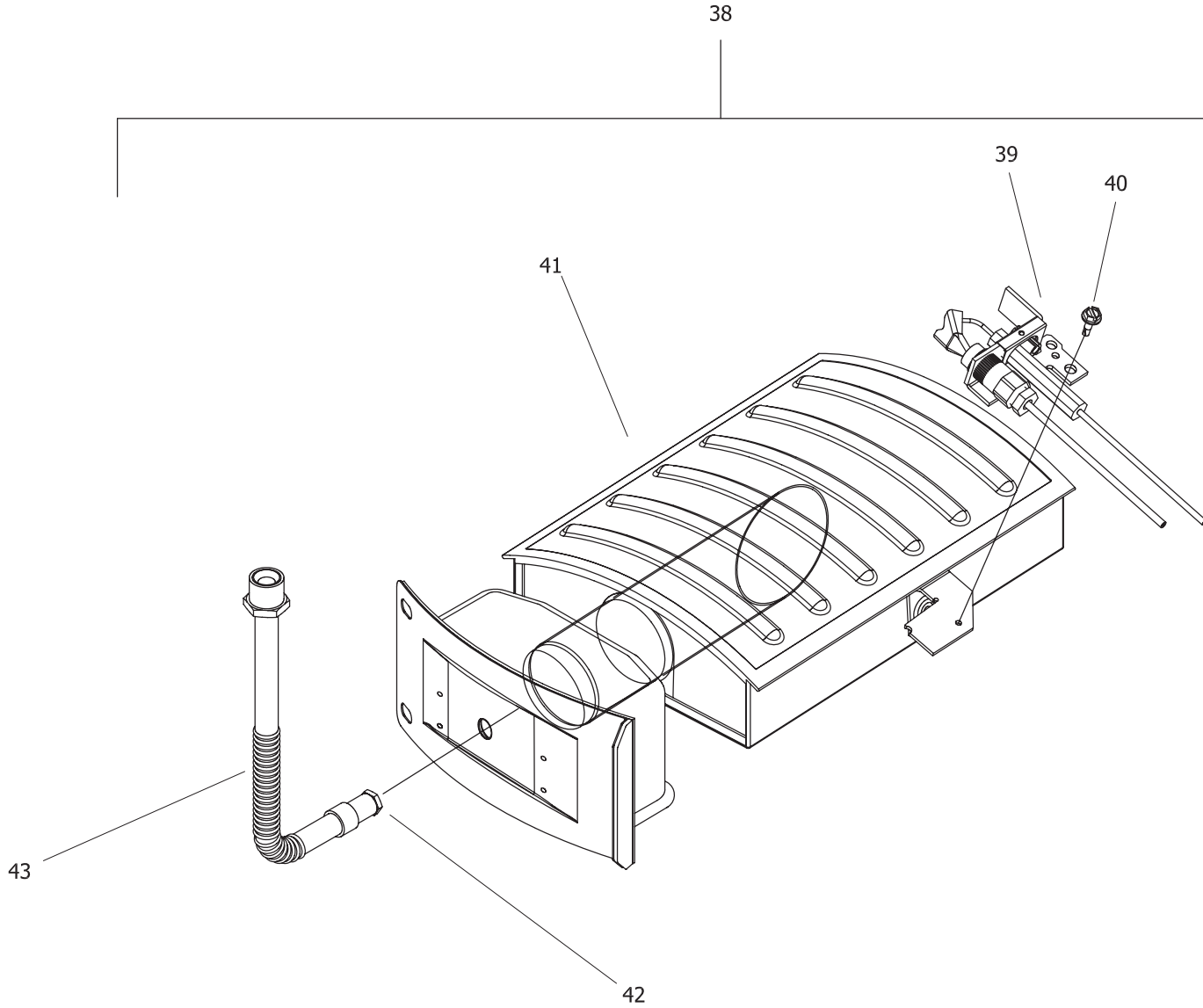
Item	Description	Model	Model	Model	Model
		URG2PDV40S*N	URG2PDV50S*N	URG2PDV50H*N	ULG2PDV50H50*N
1	Blower Assembly 0 Ft. to 2,000 Ft. (Normal Alt.)	265-47386-00	265-47386-00	265-47387-00	265-47387-00
	Blower Assembly 0 Ft. to 7,000 Ft. (High Alt.)	239-48527-00	239-48527-00	239-48528-00	239-48528-00
2	Blower Temperature Switch	239-48752-00	239-48752-00	239-48752-00	239-48752-00
3	Pressure Switch N.O. (Normal Alt.) Exhaust	239-48058-01	239-48058-01	239-48058-01	239-48058-01
	Pressure Switch N.O. (High Alt.) Exhaust	239-48058-02	239-48058-02	239-48058-02	239-48058-02
4	Pressure Switch N.C. Intake	239-46879-01	239-46879-01	239-46879-01	239-46879-01
5	Blower Gasket	239-45866-00	239-45866-00	239-45866-00	239-45866-00
6	Flue Reducer	---	---	243-42572-00	243-42572-00
7	Heat Trap Insert (Outlet)	239-45167-00	239-45167-00	239-45167-00	239-45167-00
8	Hot Water Outlet Anode (Magnesium) ▲#	224-47776-19	224-47776-19	224-47776-19	224-47776-19
	Hot Water Outlet Anode (Aluminum) ▲#	224-32999-42	224-32999-42	224-32999-42	224-32999-42
	Hot Water Outlet Anode (A420 Aluminum) ▲#	224-49560-08	224-49560-10	224-49560-08	224-49560-08
9	Flue Baffle	243-45372-00	243-45372-00	239-45373-00	239-45373-00
10	Heat Trap Insert (Inlet)	239-51556-00	239-51556-00	239-51556-00	239-51556-00
11	Cold Water Inlet Dip Tube (PEX) ▲▲	229-51230-25	229-51230-20	229-51230-26	229-51230-29
12	Blower Harness	239-45617-03	239-45617-03	239-45617-02	239-45617-02
13	T&P Relief Valve	230-40594-02	230-40594-02	230-40594-02	230-40594-02
14	3/4 NPT Plug	---	---	239-11638-00	239-11638-00
15	Screw #8-15 x 3/4 HWH	239-44195-00	239-44195-00	239-44195-00	239-44195-00
16	Screw #10-12 x 3/4 HWH	239-44113-00	239-44113-00	239-44113-00	239-44113-00
17	Right Side Inner Door	239-48216-18	239-48216-20	239-48216-18	239-48216-18
18	Brass Drain Valve	265-42351-02	265-42351-02	265-42351-02	265-42351-02
19	Flammable Vapor Sensor Clip	239-45648-00	239-45648-00	239-45648-00	239-45648-00
20	Flammable Vapor Sensor	239-45560-00	239-45560-00	239-45560-00	239-45560-00
21	Outer Door	239-46209-00	239-46209-00	239-46209-00	239-46209-00
22	Gas Valve Direct Replacement Kit (NAT)	239-49823-02	239-49823-02	239-49823-02	239-49823-04
23	Sensor Harness	239-49791-00	239-49791-00	239-49791-00	239-49791-00
24	Air Inlet Relief Device	239-48391-00	239-48391-00	239-48392-00	239-49392-00
25	Inner Door Gasket Kit	239-51576-00	239-51576-00	239-51576-00	239-51576-00
26	Heat Trap Insert Kit	265-51572-00	265-51572-00	265-51572-00	265-51572-00
27	ASSE Approved Mixing Valve (Optional)	239-43740-01	239-43740-01	239-43740-01	239-43740-01
28	Condensate Hose Kit (Optional)	239-45875-00	239-45875-00	239-45875-00	239-45875-00
29	Intake Vent Terminal Elbow	239-39831-00	239-39831-00	239-40579-00	239-40579-00
30	Exhaust Vent Terminal Elbow	239-39831-00	239-39831-00	239-40579-00	239-40579-00
31	Exhaust Adapter	239-45709-00	239-45709-00	239-45709-00	239-45709-00
32	Vent Adapter with Vent Terminal	239-47992-00	239-47992-00	239-48781-00	239-48781-00
33	Tee and Vent Pipe Assembly	239-51391-02	239-51391-01	239-47622-01	239-47622-01
34	Bracket-Vertical intake	239-47671-02	239-47671-02	239-47671-01	239-47671-01
35	Coupling-2 X 2	239-47850-00	239-47850-00	239-47850-00	239-47850-00
36	Air Intake Boot	239-47514-18	239-47514-20	239-47514-18	239-47514-18
37	Air Intake Boot Gasket	w/ Intake Boot	w/ Intake Boot	w/ Intake Boot	w/ Intake Boot

\*Applies to all warranties

# Anode may need to be cut to length

▲ Order with item 7

▲▲ Order with item 10



NATURAL GAS (BN) BURNER ASSEMBLY

Item Description	Model URG2PDV40S*N	Model URG2PDV50S*N	Model URG2PDV50H*N	Model ULG2PDV50H50*N
<b>Natural Gas BN Burner Assembly</b>				
38 Nat. Gas Burner Assembly Complete***	265-51016-01-37	265-51016-02-37	265-48801-03-33	265-48801-03-33
39 Nat. Gas Pilot Assembly**	265-50195-01	265-50195-01	265-48175-04	265-48175-04
Nat. Gas Pilot Assembly with inner door gasket kit	265-51766-00	265-51766-00	265-51574-00	265-51574-00
40 Screw #8-18 x 1/2	239-32761-00	239-32761-00	239-32761-00	239-32761-00
41 Nat. Gas (N) Burner**	228-48691-23	228-48691-24	228-48691-19	228-48691-19
42 Nat. Gas (N) Main Burner Orifice 0 Ft. to 2,000 Ft.**	234-18194-37	234-18194-37	234-18194-33	234-18194-33
Nat. Gas (N) High Altitude 0 Ft. to 7,000 Ft.**	234-18194-42	234-18194-42	234-18194-38	234-18194-38
Nat. Gas (N) High Altitude 7,001-10,000 Ft.	265-51320-03-43	265-51320-03-43	265-51320-03-41	265-51320-03-41
43 Nat. Gas Universal Feedline**	233-49398-02	233-49398-02	233-49398-02	233-49398-02

\*Applies to all warranties

\*\*Inner door gasket kit recommended

\*\*\*Ordering a complete burner assembly may increase delivery time. Please order the specific component required for the quickest delivery.



# **BRADFORD WHITE®**

W A T E R H E A T E R S

Ambler, PA

For U.S. and Canada field service,  
contact your professional installer or  
local Bradford White sales representative.

**Sales/800-523-2931**

**Fax/215-641-1670**

**Parts Fax/215-641-2180**

**Technical Support/800-334-3393**

**Fax/269-795-1089**

**Warranty/800-531-2111**

**Fax/269-795-1089**

**International:**

**Telephone/215-641-9400**

**Telefax/215-641-9750**



# **BRADFORD WHITE-CANADA® INC.**

Mississauga, ON

**Sales/866-690-0961**

**905-238-0100**

**Fax/905-238-0105**

**Technical Support/800-334-3393**

**Email**

**parts@bradfordwhite.com**

**techserv@bradfordwhite.com**

**www.bradfordwhite.com**