



# Low-Lead Cold Expansion PEX Ball Valve with Drain

## Product Features

- Full port two-piece ball valve
- 400 WOG
- Certified to NSF372 requirements
- cUPC/NSF61 compliant
- PEX end designed to ASTM F-1960
- Not for use at or below ground level
- Operating temperature -4°F–212°F

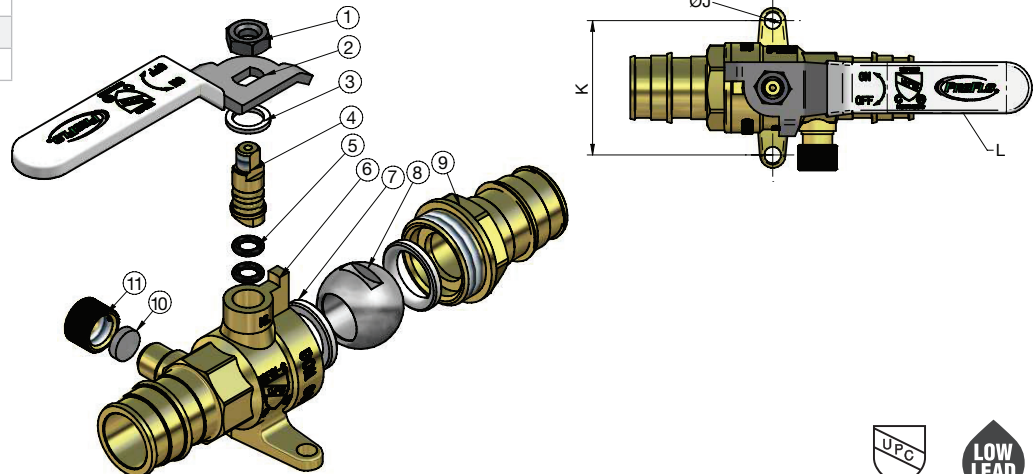
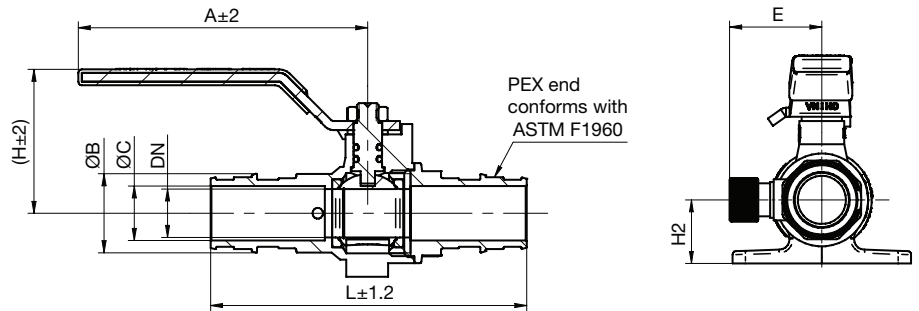


PFX472WDF

## Ball Valves 1/2", 3/4" and 1" with Drain

Model No.	Description	A	H	B	C	DN	L	E	H2	J	K
PFX472WDD	LF 1/2" BRS PROPEX F1960 BV W/DRN	75	38.1	15.6	10	10	72.5	23.7	13.5	5.2	37.5
PFX472WDF	LF 3/4" BRS PROPEX F1960 BV W/DRN	80.5	39.8	22.1	15.2	13.5	88.5	25.8	17.8	5.2	42
PFX472WDG	LF 1" BRS PROPEX F1960 BV W/DRN	106	50	28.1	20.5	19	108	29.8	22.1	5.2	49

Item No.	Part Name	Qty	Material
1	Hex Nut	1	Steel
2	Handle	1	Steel
3	Packing gland	1	PTFE
4	Stem	1	Brass
5	O-ring	2	EPDM
6	Body	1	Brass
7	Seat	2	PTFE
8	Ball	1	Brass
9	End adaptor	1	Brass
10	Rubber gasket	1	EPDM
11	Plug cap	1	Brass



## Warranty and Codes

This PROFLO product carries a 1-year limited warranty.

