

SPEAKMAN®

SLV-3470

Installation, Operation & Maintenance Instructions

SENTINEL MARK II® COMBINATION SERIES

DESCRIPTION

Speakman Sentinel Mark II® Combination, SLV-3470 includes: Trim with integral Diverter Handle (CPT-3401), Shower Arm with Wall Flange (S-2500), Low Flow Single Function Shower Head (S-2272-E2), Hand Shower with Flow Control (VS-100-PC), Supply Ell with Wall Flange (VS-115), In-line Vacuum Breaker (VS-117), Transfer Valve Trim (CPT-1110), Tub Spout (S-1554), Wall Brackets for Hand Shower (VS-126), and 69in Metal (SS) Hose. This combination does not include the Shower Valve or Transfer Valve.

PB-DV

This combination should be installed with one of the following Speakman Sentinel Mark II® Pressure Balance Diverter Shower Valves

- CPV-PB-DV:** Pressure Balance Diverter Shower Valve
Sweat & Thread Connections
- CPV-PB-DV-PXC:** Pressure Balance Diverter Shower Valve
PEX F1807 Crimp Inlet Connections
- CPV-PB-DV-PXE:** Pressure Balance Diverter Shower Valve
PEX F1960 Cold-Expansion Inlet Connections

T-DV

This combination should be installed with one of the following Speakman Sentinel Mark II® Thermostatic Diverter Shower Valves

- CPV-T-DV:** Thermostatic Diverter Shower Valve
Sweat & Thread Connections
- CPV-T-DV-PXC:** Thermostatic Diverter Shower Valve
PEX F1807 Crimp Inlet Connections
- CPV-T-DV-PXE:** Thermostatic Diverter Shower Valve
PEX F1960 Cold-Expansion Inlet Connections

TV

This combination should be installed with the following Speakman Transfer Valve

- CPV-TV:** Two Way Transfer Valve
With Ceramic Cartridge

SPECIFICATIONS

CPT-3401 SENTINEL MARK II® DIVERTER SHOWER VALVE TRIM:

FINISH: Polished Chrome

COMPLIANCE: ASME A112.18.1 / CSA B125.1 Standard

S-2500 SHOWER ARM WITH WALL FLANGE:

CONNECTIONS: ½" NPT Male Inlet & Outlet

FINISH: Polished Chrome

SPEAKMAN®

Phone: 800-537-2107 Fax: 800-977-2747
11/20/18 www.speakman.com 92C-SLV-3470-01

S-2272-E2 LOW FLOW SINGLE FUNCTION SHOWER HEAD:

CONNECTIONS: ½" NPT Female Inlet

FLOW RATE: 2.0 gpm (7.6 L/min)

FINISH: Polished Chrome

COMPLIANCE: ASME A112.18.1 / CSA B125.1 Standard & WaterSense Certified

VS-100-PC HAND SHOWER WITH FLOW CONTROL:

CONNECTIONS: ½" NPSM Male Inlet

FLOW RATE: 2.5 gpm (9.5 L/min)

FINISH: Polished Chrome

COMPLIANCE: ASME A112.18.1 / CSA B125.1 Standard

VS-115 SUPPLY ELL WITH WALL FLANGE:

CONNECTIONS: ½" NPT Female Inlet; ½" NPSM Male Outlet

FINISH: Polished Chrome

VS-117 IN-LINE VACUUM BREAKER:

CONNECTIONS: ½" NPSM Female Inlet; ½" NPSM Male Outlet

FINISH: Polished Chrome

COMPLIANCE: ASSE 1014 Standard

VS-126 WALL BRACKET:

FINISH: Polished Chrome

CPT-1110 NEO TRANSFER VALVE TRIM:

FINISH: Polished Chrome

COMPLIANCE: ASME A112.18.1 / CSA B125.1 Standard

S-1554 TUB SPOUT:

CONNECTIONS: ½" NPT Female Inlet

FINISH: Polished Chrome

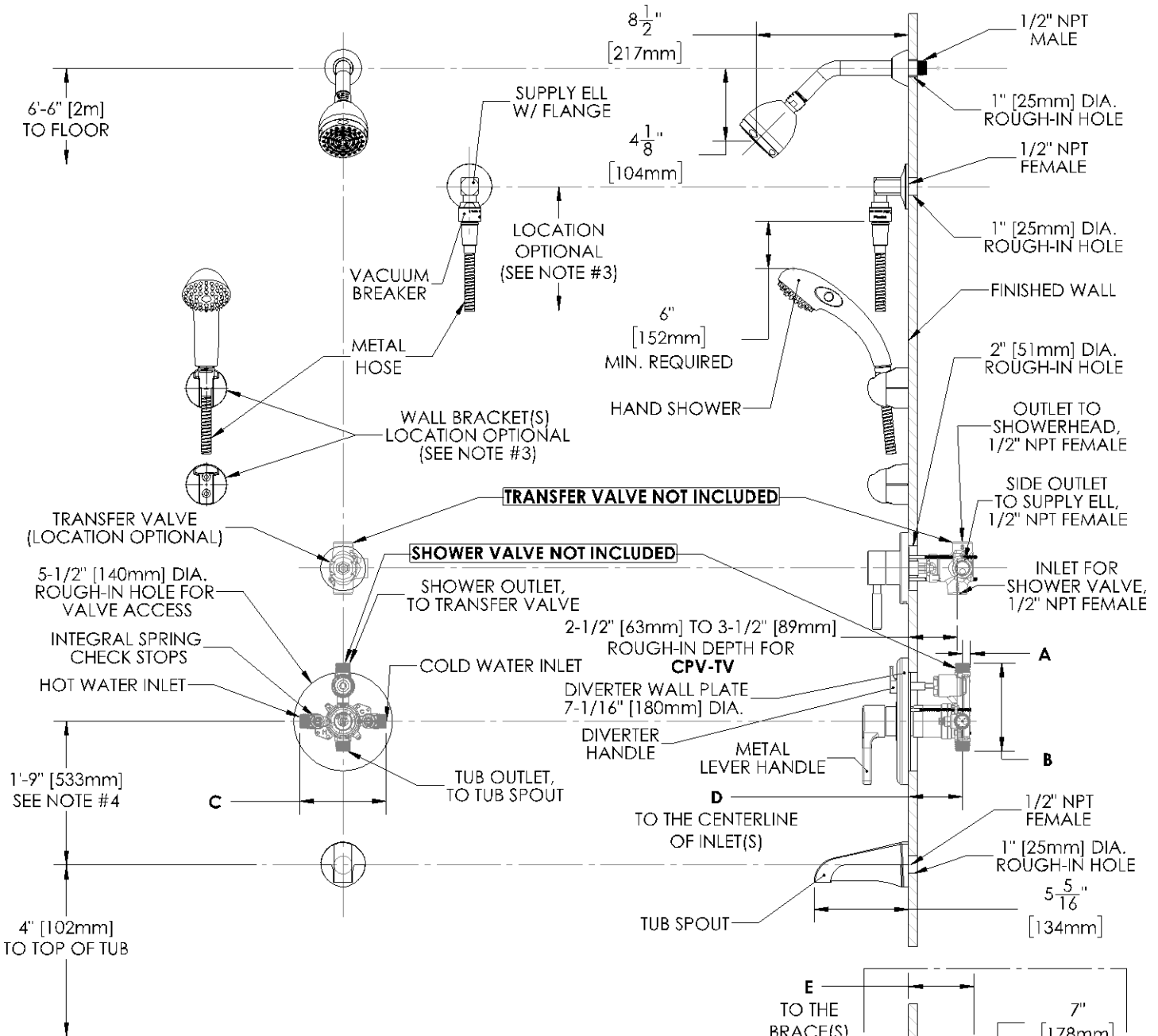
INSTRUCTIONS

See individual products for installation of the components and warranty information.

SPEAKMAN®

Phone: 800-537-2107 Fax: 800-977-2747
11/20/18 www.speakman.com 92C-SLV-3470-01

ROUGH-IN



NOTES:

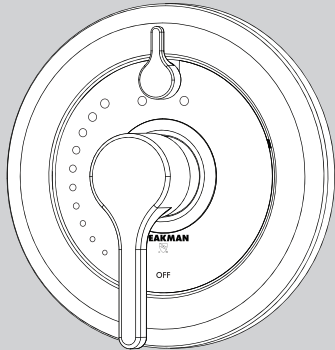
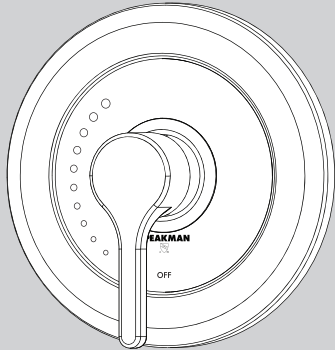
1. ALL DIMENSIONS ARE IN INCHES [MILLIMETERS] UNLESS OTHERWISE SPECIFIED AND ARE SUBJECT TO CHANGE WITHOUT NOTICE.
2. ALL INLETS AND OUTLETS ARE 1/2" FEMALE COPPER SWEAT AND 1/2" MALE NPT UNLESS OTHERWISE SPECIFIED.
3. THE LOCATIONS OF THE WALL BRACKETS(2) AND SUPPLY ELL ARE OPTIONAL, BUT RESTRICTED BY THE 69" HOSE LENGTH RUNNING FROM THE SUPPLY ELL CONNECTION TO THE HAND SHOWER AND THE 6' MINIMUM REQUIREMENT BETWEEN THE IN-LINE VACUUM BREAKER AND TOP OF THE HAND SHOWER (HAND SHOWER ADJUSTED TO HIGHEST POSITION).
4. FOR ADA MOUNTING LOCATIONS CONSULT ADAAG, ANSI A117.1, OR STATE REGULATIONS.

DIMENSION	CPV-PB-DV	CPV-T-DV	CPV-PB-DV-PXC	CPV-PB-DV-PXE	CPV-T-DV-PXC	CPV-T-DV-PXE
A	7/16" (11mm)	9/16" (14mm)	7/16" (11mm)		9/16" (14mm)	
B	4-15/16" (125mm)	5-1/16" (128mm)	4-15/16" (125mm)		5-1/16" (128mm)	
C	4-13/16" (123mm)	5-7/8" (150mm)	4-13/16" (123mm)		5-7/8" (150mm)	
D	2-1/2" (63mm) MIN TO 3-1/2" (89mm) MAX					
E			3-1/8" (79mm) MIN TO 4-1/8" (105mm) MAX		3-3/16" (81mm) MIN TO 4-3/16" (106mm) MAX	

SPEAKMAN®

INSTRUCTIONS FOR MODELS

CPT-3001
CPT-3401



NEED HELP?

For additional assistance or service please contact:

SPEAKMAN®

800-537-2107

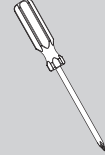
customerservice@speakman.com

www.speakman.com

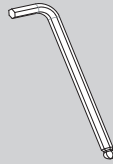
92-CPT-3001-01

TOOLS AND SUPPLIES

Phillips
Screwdriver



Hex Key Wrench
(included)



IMPORTANT



- Be sure to read instructions thoroughly before beginning installation.
- Be sure to have properly adjusted the Temperature Limiting Stop (TLS) as outlined in the Valve Installation Manual.
- Cover your drain to prevent loss of parts. Be sure to wear eye protection while cutting pipe.

MAINTENANCE



Your new Valve Trim is designed for years of trouble-free performance. Keep it looking new by cleaning it periodically with a soft cloth. The use of harsh chemicals and abrasives on any of the Speakman custom finish products may damage the finish and void the product warranty. Please be sure to only use approved cleaners. Please contact Speakman for any clarification of acceptable cleaners.

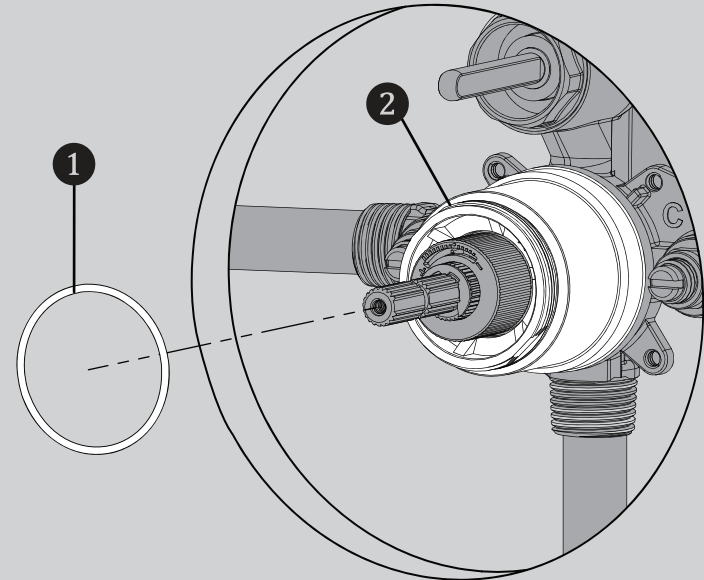
WARRANTY



Warranty information can be found at:
www.speakman.com

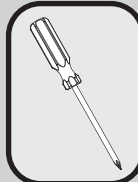
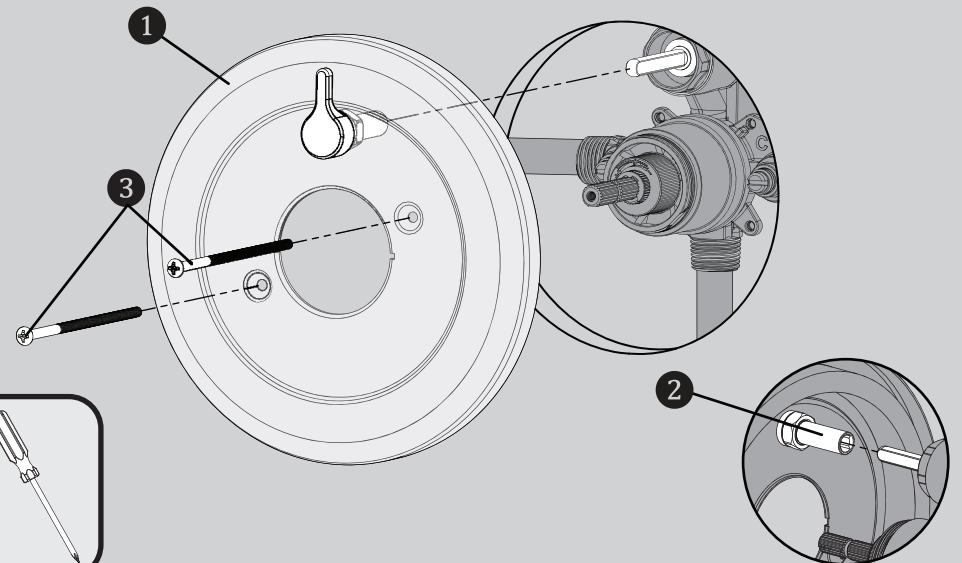
1

OPTIONAL: If a firm fit is required, insert the O-Ring **1** onto the Bonnet **2** of the Shower Valve.

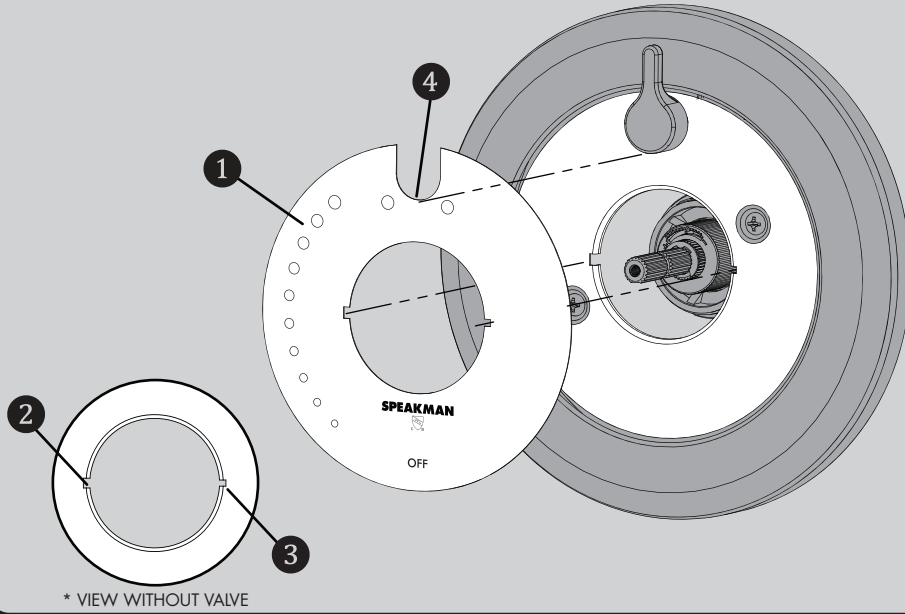


2

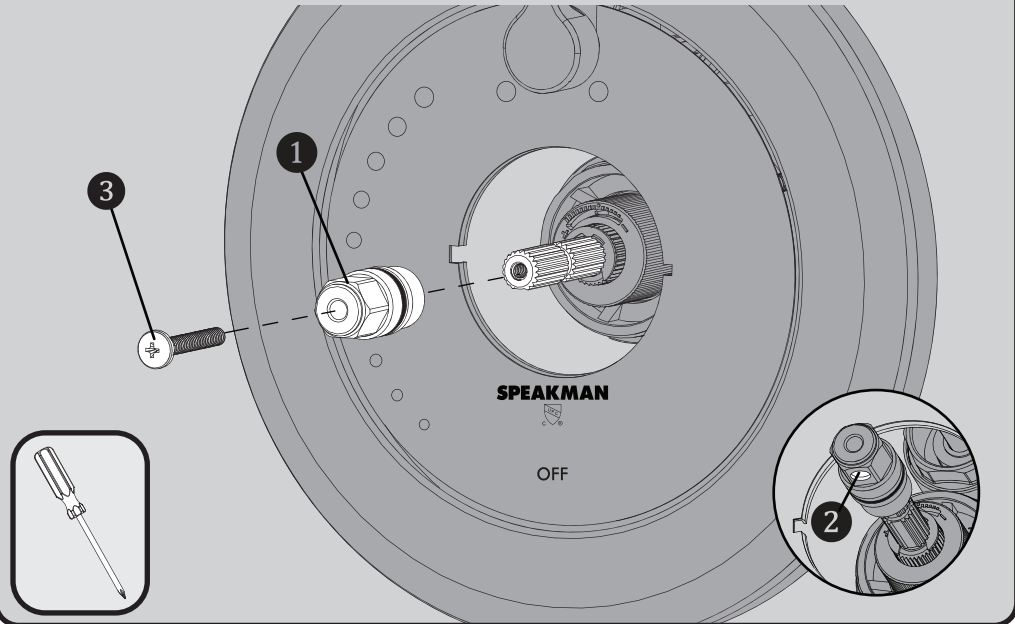
Verify that the Valve is in the "OFF" position. Install the Wall Plate **1** to the Valve. If installing a Diverter model of Trim, align the Diverter Handle to the 12 o'clock position and position the Diverter Drive Tube **2** over the Diverter Spindle of the Valve. Secure with the included Mounting Screws **3**.



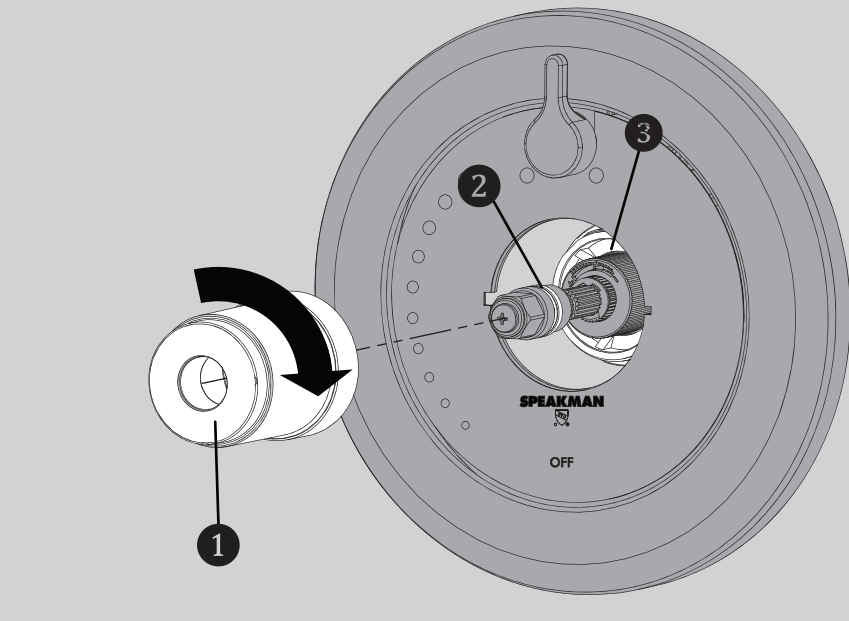
3 Align the Index Plate **1** with the Large Slot **2** and Small Slot **3** on the Wall Plate. If installing onto a Diverter Model, align the U shape **4** under the Diverter Handle and then align to the slots.



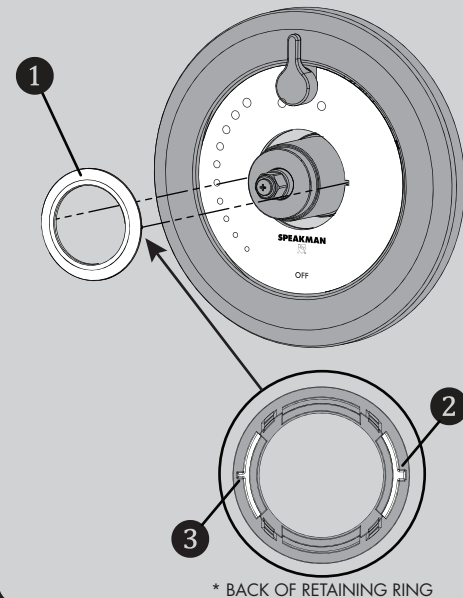
4 Install the Spindle Adapter **1** (with appropriate O-ring in its place) onto the Spindle so that the Circular Indent **2** is pointing downward and is horizontal as shown below. Secure the Spindle Adapter with the included Screw **3**.



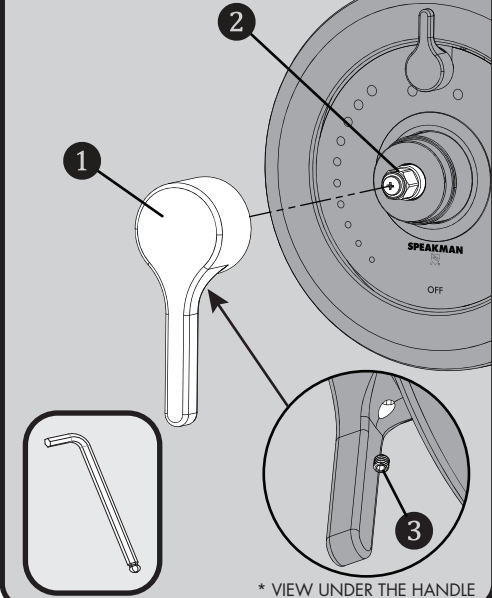
5 Push the Escutcheon **1** gently over the O-ring **2** of Spindle Adapter. Thread the Escutcheon onto the Bonnet **3** of the Valve. Hand tighten into position.



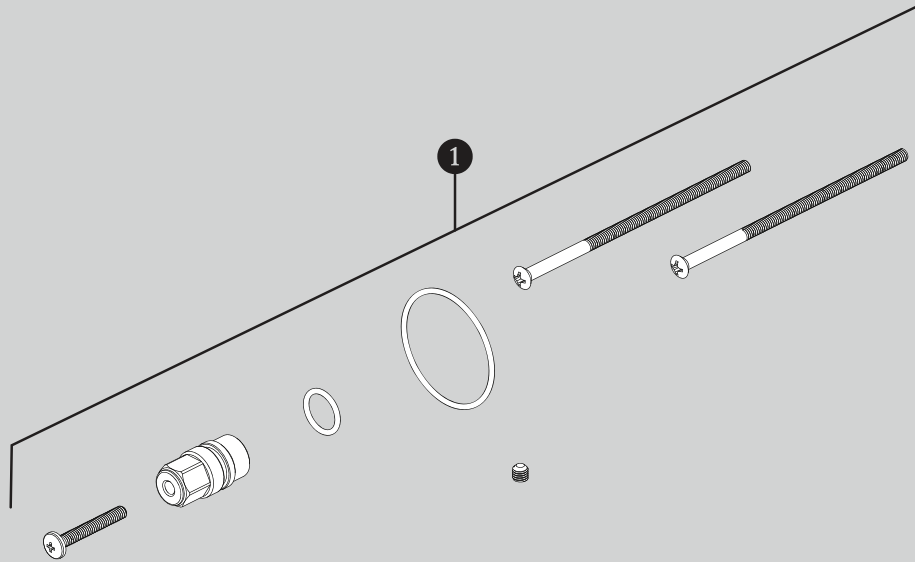
6 Install Retaining Ring **1**. Align the Retaining Ring with the Large Slot **2** and Small Slot **3** on the Wall Plate. Snap in place.



7 Orient the Handle **1** as shown below and position over the Spindle Adapter **2**. Secure with the included Set Screw **3**.



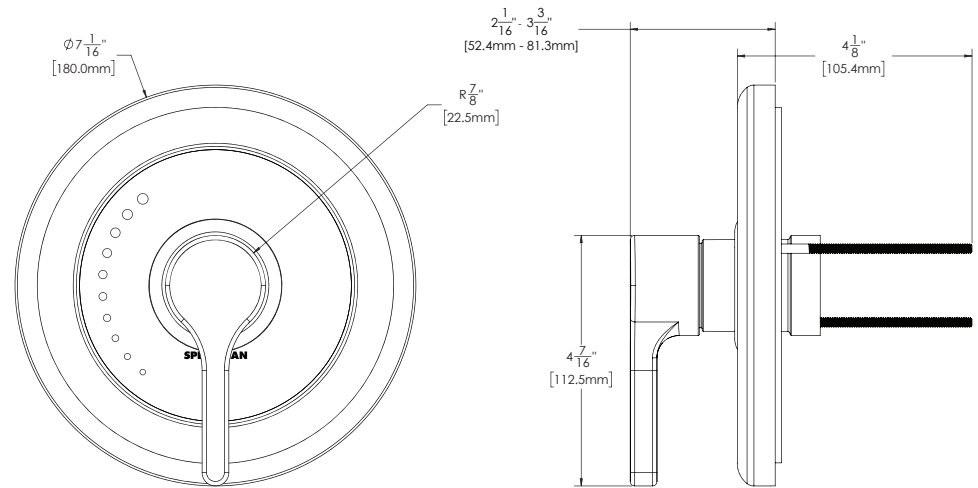
CPT-3001/3401 REPAIR PARTS



ITEM NO.	PART NO.	DESCRIPTION
1	RPG05-1126	REPAIR PARTS GROUP FOR CPT-3X01 TRIMS

CPT-3001 ROUGH-IN DIAGRAM

SPEAKMAN®

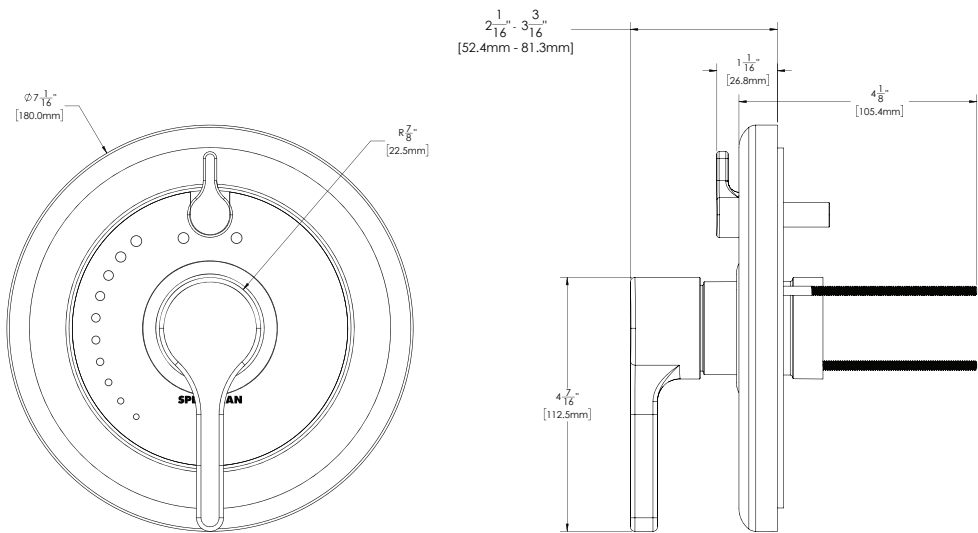


TRIM IS SHOWN AT A ROUGH-IN DEPTH OF 3.0in

DIMENSIONS SUBJECT TO CHANGE WITHOUT NOTICE.

CPT-3401 ROUGH-IN DIAGRAM

SPEAKMAN®

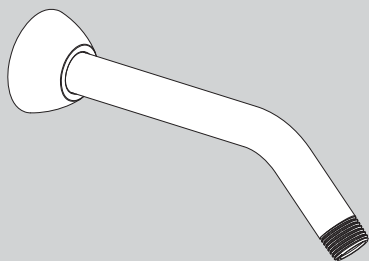


TRIM IS SHOWN AT A ROUGH-IN DEPTH OF 3.0in

DIMENSIONS SUBJECT TO CHANGE WITHOUT NOTICE.

INSTRUCTIONS FOR MODELS

S-2500



NEED HELP?

For additional assistance or service please contact:

SPEAKMAN® Company
400 Anchor Mill Road
New Castle, DE 19720

800-537-2107

customerservice@speakman.com

www.speakman.com

92-S-2500-R5

TOOLS AND SUPPLIES

Thread Seal
Tape



IMPORTANT



Be sure to read instructions thoroughly before beginning installation. Do not overtighten any connections or damage may occur.

SAFETY TIPS

Cover your drain to prevent loss of parts.

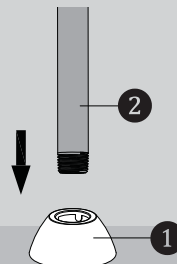
MAINTENANCE

Your new Shower Arm is designed for years of trouble-free performance. Keep it looking new by cleaning it periodically with a soft cloth. Avoid abrasive cleaners, steel wool and harsh chemicals as these will dull the finish and void your warranty.

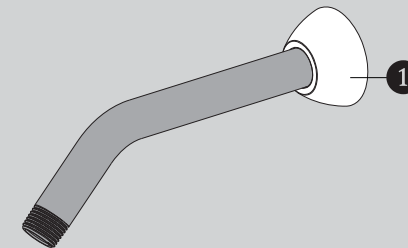
WARRANTY

Additional warranty information can be found at:
www.speakman.com

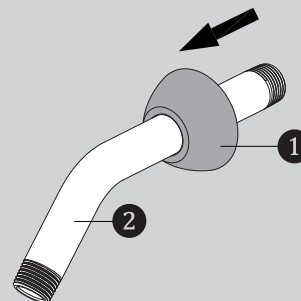
- 1** Place the Escutcheon Plate (1) on a flat surface. Push the long end of the Shower Arm (2) down into the plate. This will help the teeth of the plate slide over the arm easier.



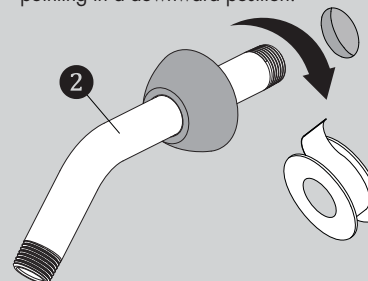
- 4** Position Escutcheon Plate (1) flat against wall.



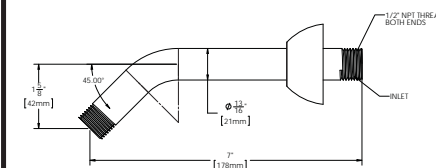
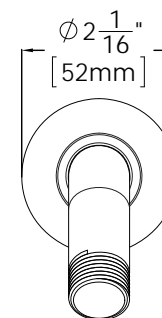
- 2** Once the Escutcheon Plate (1) is on the shower arm, slide the plate over the Shower Arm (2).



- 3** Apply Teflon Tape to inlet side of Shower Arm (2). Thread Shower Arm (2) into Female Pipe Fitting within the wall. Firmly tighten, and make sure Shower Arm (2) Outlet is pointing in a downward position.



ROUGH IN DIMENSIONS



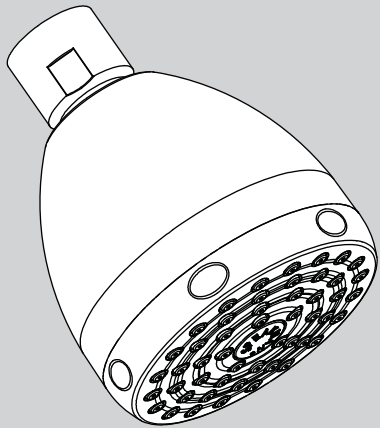
Specifications:

Supply Inlet: 1/2" NPT MALE

Outlet: 1/2" NPT MALE

INSTRUCTIONS FOR MODELS


S-2272-E2
S-2272-E15




NEED HELP?

For additional assistance or service please contact:

SPEAKMAN® Company
400 Anchor Mill Road
New Castle, DE 19720

 800-537-2107

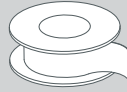
 customerservice@speakman.com

 www.speakman.com

92-S-2272-01

TOOLS AND SUPPLIES

Thread Seal
Tape



Adjustable
Wrench



IMPORTANT



Be sure to read instructions thoroughly before beginning installation. Do not overtighten any connections or damage may occur.

SAFETY TIPS



Cover your drain to prevent loss of parts.

MAINTENANCE



Periodic cleaning using a mild soap and warm water will help keep your Showerhead's appearance in its original condition.

For best results, dry immediately with a soft, clean cloth. **DO NOT USE** harsh and/or abrasive cleaners.

To help restore the finish, occasionally apply a non-abrasive wax to your showerhead body (follow manufacturers' instructions).

On **CHROME PLATED SHOWER HEADS**, a two (2) part white vinegar, one (1) part water solution can be used to break down excessive mineral deposits on the sprays. Let the showerhead soak in the solution for about ½ hour then rinse thoroughly. Brush off any remaining mineral deposits if necessary.

DO NOT USE the vinegar/water treatment on any finish other than Chrome.

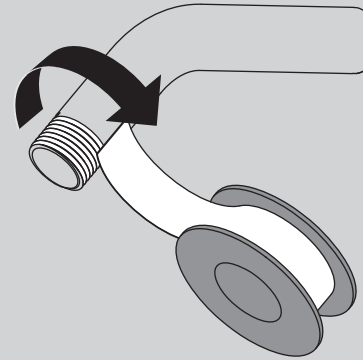
WARRANTY



Additional warranty information can be found at:
www.speakman.com

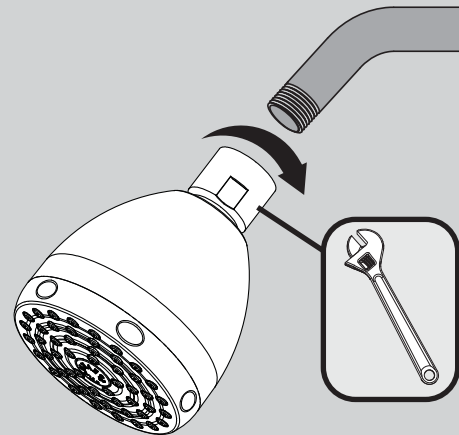
1

Apply Teflon Tape to the outlet side of shower arm in a clockwise direction.

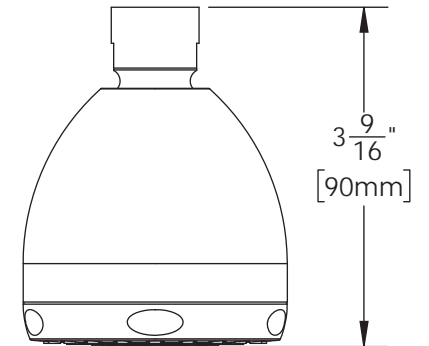
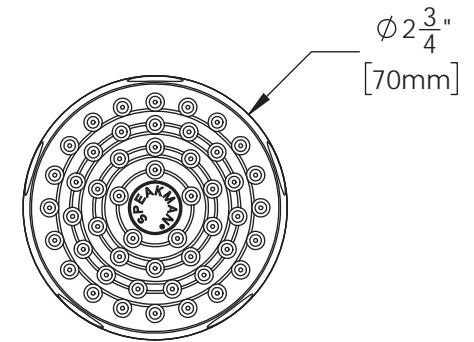


2

Thread Shower head onto shower arm by turning it in a clockwise direction. Tighten with adjustable wrench. Turn water supply on and check for leaks.



ROUGH IN DIMENSIONS



Model: S-2272-E2
Max. Flow Rate: 2.0 gpm (7.6 L/min)
Min. Flow Rate: 1.5 gpm (5.7 L/min) @ 45psi
FOR USE WITH AUTOMATIC COMPENSATING VALVES RATED AT 6.6 L/MIN (1.75 GPM) OR LESS.

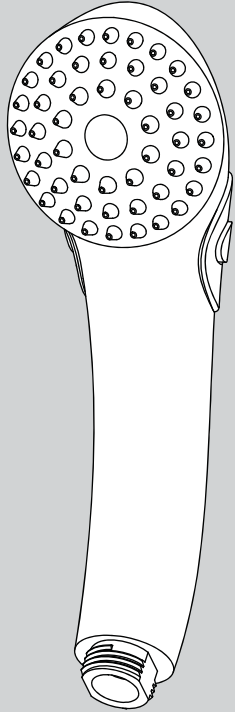
Model: S-2272-E15
Max. Flow Rate: 1.5 gpm (5.7 L/min)
Min. Flow Rate: 1.1 gpm (4.2 L/min) @ 45psi
FOR USE WITH AUTOMATIC COMPENSATING VALVES RATED AT 5.2 L/MIN (1.37 GPM) OR LESS.

Specifications:

Inlet: 1/2" NPSM FEMALE

INSTRUCTIONS FOR MODELS


VS-100-PC
VS-100-PC-E2
VS-100-PC-E175



NEED HELP?

For additional assistance or service please contact:

SPEAKMAN® Company
400 Anchor Mill Road
New Castle, DE 19720

 800-537-2107

 customerservice@speakman.com

 www.speakman.com

92-VS-100-PC-04

TOOLS AND SUPPLIES

Thread Seal
Tape
(included)



IMPORTANT



Be sure to read instructions thoroughly before beginning installation. Do not overtighten any connections or damage may occur. This hand shower has an optimal operating range of 20-80 psi.

SAFETY TIPS



Cover your drain to prevent loss of parts.

MAINTENANCE



Periodic cleaning using a mild soap and warm water will help keep your Hand Shower's appearance in its original condition.

For best results, dry immediately with a soft, clean cloth. **DO NOT USE** harsh and/or abrasive cleaners.

On CHROME PLATED HAND SHOWERS, a two (2) part white vinegar, one (1) part water solution can be used to break down excessive mineral deposits on the sprays. Let the hand shower soak in the solution for about ½ hour then rinse thoroughly. Brush off any remaining mineral deposits if necessary.

DO NOT USE the vinegar/water treatment on any finish other than Chrome.

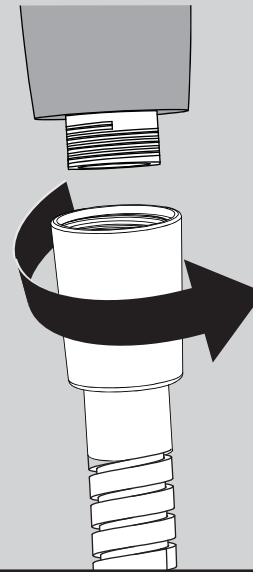
WARRANTY



Additional warranty information can be found at:
www.speakman.com

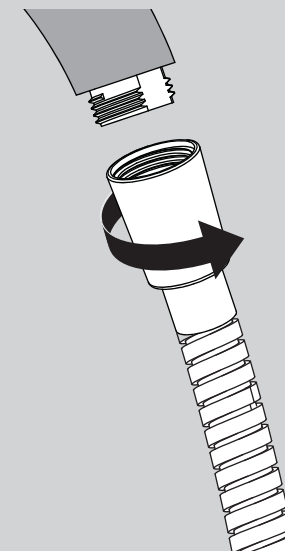
1

Connect the correct side of your hose (not included) to the water supply. Hand tighten.



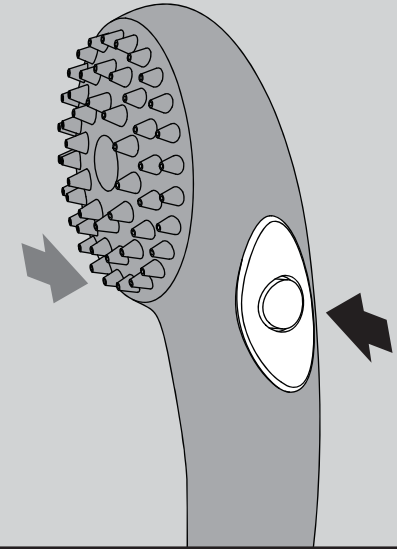
2

Connect remaining end of Hose to inlet of Hand Shower. Hand tighten. If there are leaks at the hose connections, look into using thicker washers to ensure a tight seal.

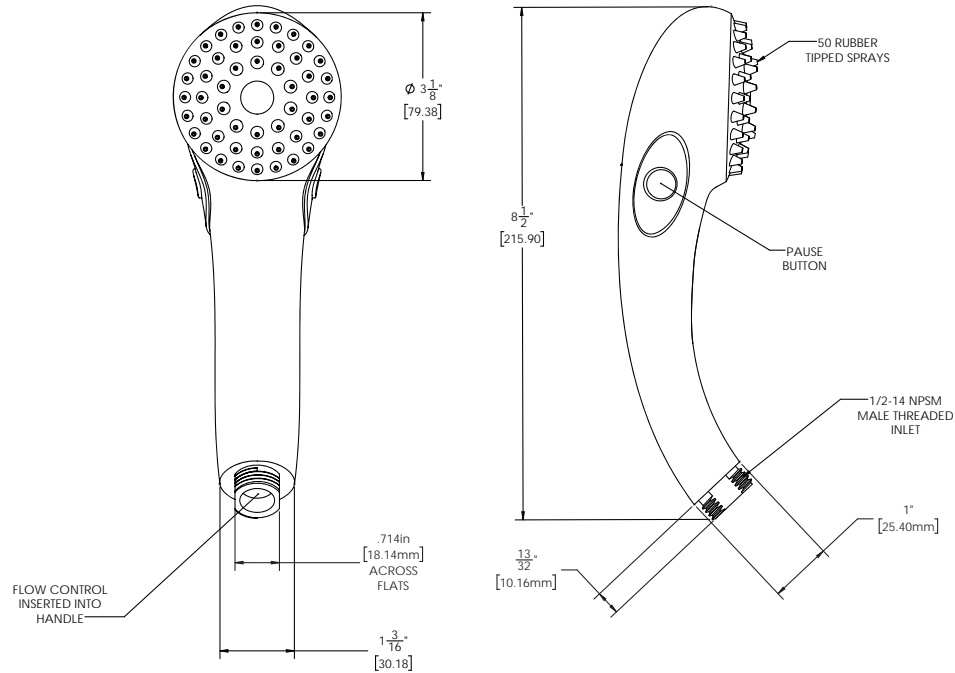


3

To pause the flow of water, press the integral thumb operated pause/trickle button located on the side of the hand shower. To return the hand held shower to full flow, press the shuttle button from the opposite side.



ROUGH IN DIMENSIONS



VS-100-PC

Max. Flow Rate: 2.5 gpm (9.5L/min)

Min. Flow Rate: 2.0 gpm (7.6 L/min) @ 45psi

FOR USE WITH AUTOMATIC COMPENSATING VALVES
RATED AT 7.6 L/MIN (2.0 GPM) OR LESS.

VS-100-PC-E2

Max. Flow Rate: 2.0 gpm (7.6 L/min)

Min. Flow Rate: 1.5 gpm (5.7 L/min) @ 45psi

FOR USE WITH AUTOMATIC COMPENSATING VALVES
RATED AT 6.6 L/MIN (1.75 GPM) OR LESS.

VS-100-PC-E175

Max. Flow Rate: 1.75 gpm (6.6 L/min)

Min. Flow Rate: 1.3 gpm (4.9 L/min) @ 45psi

FOR USE WITH AUTOMATIC COMPENSATING VALVES
RATED AT 5.7 L/MIN (1.5 GPM) OR LESS.

SPEAKMAN COMPANY

VS-115 Installation, Maintenance & Operation Instructions

VERSATILE® SUPPLY ELL

DESCRIPTION

VERSATILE® chrome plated brass supply ell with wall flange.

SPECIFICATIONS

SUPPLY INLET: 1/2" NPT FEMALE
OUTLET: 1/2" NPSM MALE
SHIPPING WEIGHT: 0.4 LBS.

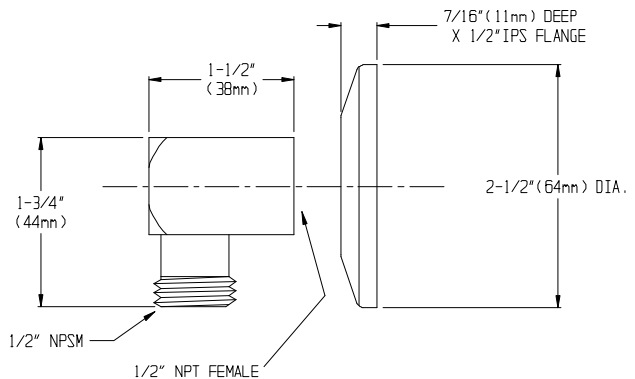
INSTALLATION

Slip the wall flange on to the inlet pipe. Using teflon tape or pipe dope on threads, screw ell onto pipe and wrench tighten. Connect accessories to supply ell and firmly hand tighten. Turn water supply on and check for leaks.

MAINTENANCE

The gleaming finish of your SPEAKMAN VERSATILE® VS-115 supply ell can be cleaned by using mild soap and warm water. Dry immediately with a soft, clean cloth for best results.

ROUGH-IN MEASUREMENTS



Product improvements may cause specification and dimensional changes without notice.

SPEAKMAN®

PO Box 191 Wilmington, DE 19899 Phone: 800-537-2107 Fax: 800-977-2747
Visit us on the web at www.speakmancompany.com

09/07
REV 1
92-1775

SPEAKMAN COMPANY

VS-117 Installation, Maintenance & Operation Instructions

VERSATILE® VACUUM BREAKER

DESCRIPTION

VERSATILE® chrome plated brass in-line vacuum breaker.

SPECIFICATIONS

SUPPLY INLET: 1/2" NPSM FEMALE
OUTLET : 1/2" NPSM MALE
SHIPPING WEIGHT: XXX LBS.

INSTALLATION

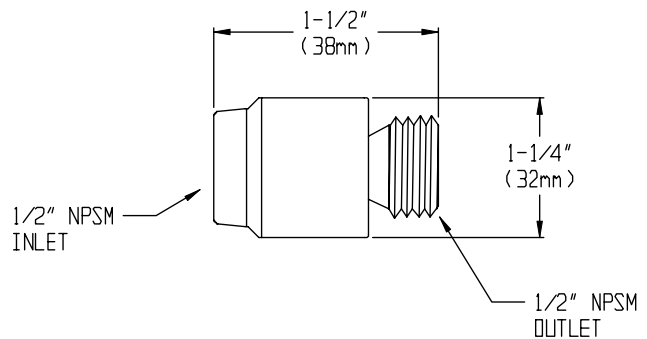
Connect, using rubber washer, to supply piping. Connect accessories to vacuum breaker. Firmly hand tighten connection. Turn water supply on and check for leaks.

Note: Do not install VS-117 in concealed locations or where spillage under certain service conditions might cause water damage. Avoid continuous pressure applications (shut off valve downstream of the vacuum breaker).

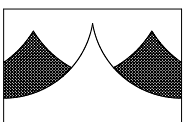
MAINTENANCE

The gleaming finish of your SPEAKMAN VERSATILE® VS-117 vacuum breaker can be cleaned by using mild soap and warm water. Dry immediately with a soft, clean cloth for best results.

ROUGH-IN MEASUREMENTS



Product improvements may cause specification and dimensional changes without notice.

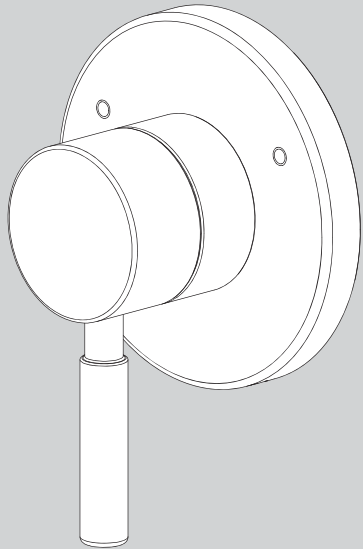


SPEAKMAN COMPANY
The Quality Leader Since 1869
P.O. Box 191, Wilmington, DE 19899-0191 USA
1-800-537-2107, Fax: 1-800-977-2747

04/00
92-1783

INSTRUCTIONS FOR MODELS


CPT-1110



NEED HELP?

For additional assistance or service please contact:

SPEAKMAN® Company
400 Anchor Mill Road
New Castle, DE 19720

 800-537-2107

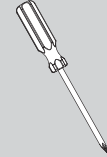
 customerservice@speakman.com

 www.speakman.com

92-CPT-1110-01

TOOLS AND SUPPLIES

Phillips
Screwdriver



IMPORTANT



- Do not over tighten any connections or damage may occur.
- Be sure to read instructions thoroughly before beginning installation.
- This transfer valve has an operating range of 20-80 psi.

SAFETY TIPS



Cover your drain to prevent loss of parts. Be sure to wear eye protection while cutting pipe.

MAINTENANCE



Your new Speakman Product is designed for years of trouble-free performance. Keep it looking new by cleaning it periodically with a soft cloth. The use of harsh chemicals and abrasives on any of the Speakman custom finish products may damage the finish and void the product warranty. Please be sure to only use approved cleaners. Please contact Speakman for any clarification of acceptable cleaners.

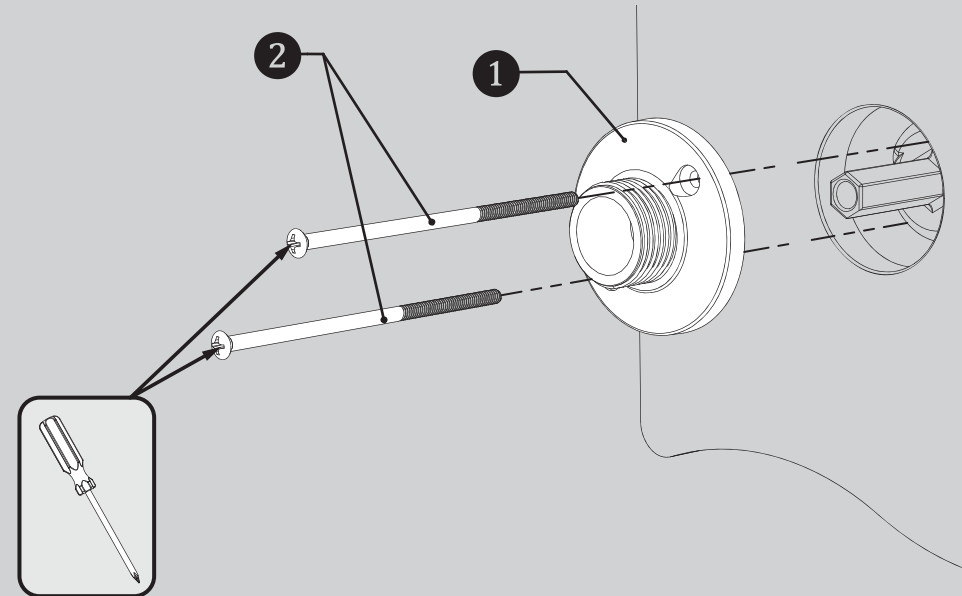
WARRANTY



Warranty information can be found at:
www.speakman.com

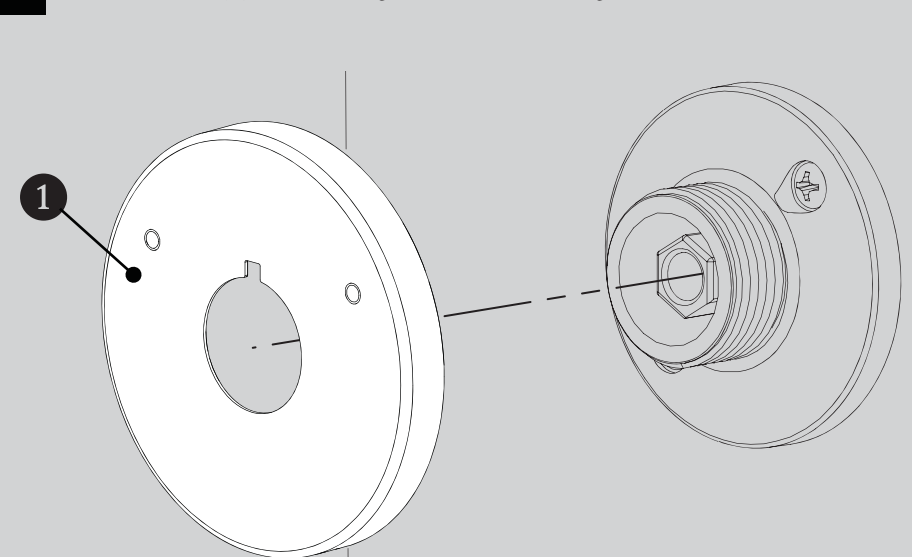
1

Clean wall surface. Place Mounting Base (1), on to valve, align mounting holes, and secure with Mounting Screws (2).



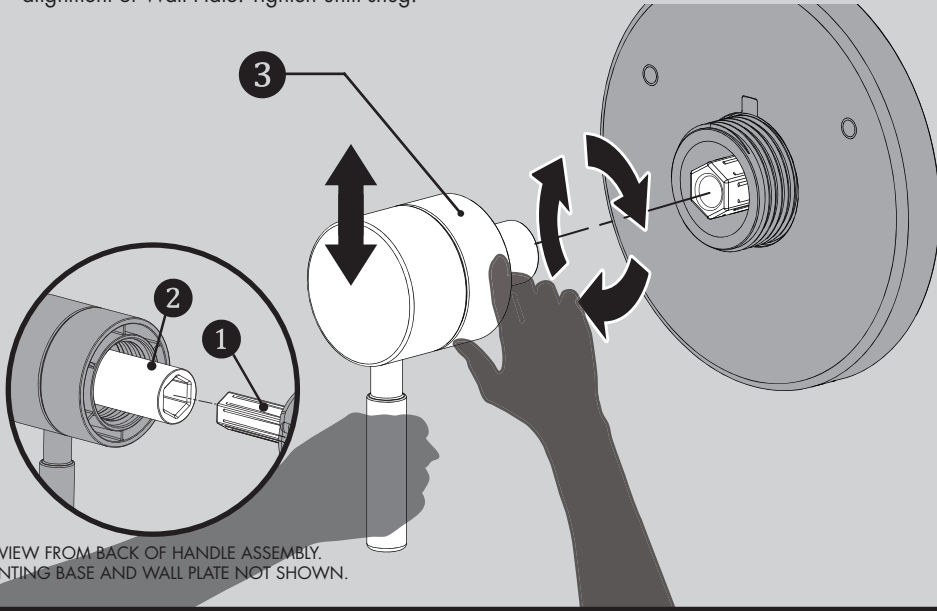
2

Place Wall Plate (1) onto Mounting Base. Take care to align the Escutcheon as shown below.



3

Align the HEX Spindle (1) with the HEX drive (2) of the Handle Assembly. Keep Handle in a stationary vertical position as you thread Handle Hub (3) on to Mounting Base. Verify proper alignment of Wall Plate. Tighten until snug.



CPT-1110 ROUGH-IN DIAGRAM

SPEAKMAN®

NOTES:

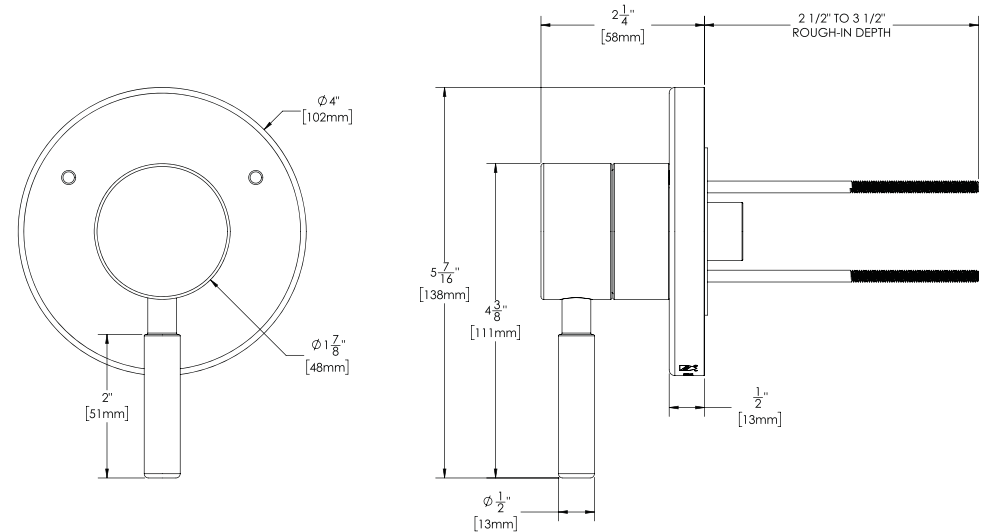
COMPLIANCE:

ASME A112.18.1/CSA B125.1

CONNECTIONS:

- Inlet: 1/2" NPT Female
- Outlets: 1/2" NPT Female

Contractor to supply necessary inlet connections.



DIMENSIONS SUBJECT TO CHANGE WITHOUT NOTICE.

SPEAKMAN COMPANY

S-1554 Installation, Maintenance & Operation Instructions

TUB SPOUT

DESCRIPTION

Speakman polished chrome plated metal tub spout.

SPECIFICATIONS

1/2" NPT FEMALE INLET

SHIPPING WEIGHT: XXX LBS.

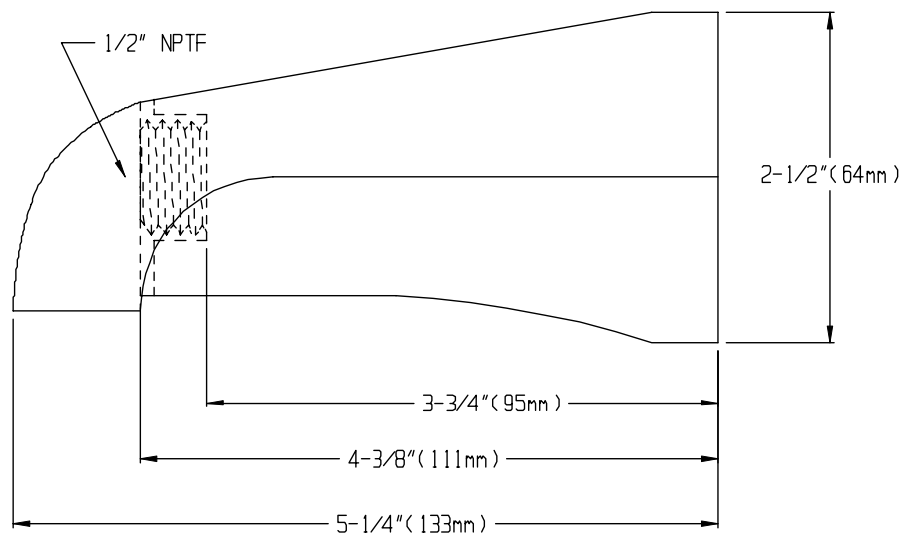
INSTALLATION

Apply teflon tape or pipe dope to male threads and thread spout onto piping. Wrench tighten carefully. Check all connections for leaks.

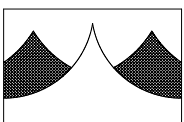
MAINTENANCE

The gleaming finish of your SPEAKMAN tub spout can be cleaned by using mild soap and warm water. Dry immediately with a soft, clean cloth for best results.

ROUGH-IN MEASUREMENTS



Product improvements may cause specification and dimensional changes without notice.



SPEAKMAN COMPANY
The Quality Leader Since 1869
P.O. Box 191, Wilmington, DE 19899-0191 USA
1-800-537-2107, Fax: 1-800-977-2747

04/00
92-1819