

SPEAKMAN®

SLV-1410

Installation, Operation & Maintenance Instructions

NEO™ COLLECTION COMBINATION SERIES

DESCRIPTION

Speakman Neo™ Collection Combination Series, SLV-1410 includes: Trim with integral Volume Control Handle (CPT-1401), Shower Arm with Wall Flange (S-2540), and Low Flow Multi Function Shower Head (S-3010-E2). This combination does not include the Shower Valve.

PB-DV

This combination should be installed with one of the following Speakman Sentinel Mark II® Pressure Balance Diverter Shower Valves

CPV-PB-DV: Thermostatic Diverter Shower Valve
Sweat & Thread Connections

CPV-PB-DV-PXC: Thermostatic Diverter Shower Valve
PEX F1807 Crimp Inlet Connections

CPV-PB-DV-PXE: Thermostatic Diverter Shower Valve
PEX F1960 Cold-Expansion Inlet Connections

T-DV

This combination should be installed with one of the following Speakman Sentinel Mark II® Thermostatic Diverter Shower Valves

CPV-T-DV: Thermostatic Diverter Shower Valve
Sweat & Thread Connections

CPV-T-DV-PXC: Thermostatic Diverter Shower Valve
PEX F1807 Crimp Inlet Connections

CPV-T-DV-PXE: Thermostatic Diverter Shower Valve
PEX F1960 Cold-Expansion Inlet Connections

SPECIFICATIONS

CPT-1401 SENTINEL MARK II® DIVERTER SHOWER VALVE TRIM:
COMPLIANCE: ASME A112.18.1 / CSA B125.1 Standard

S-2540 SHOWER ARM WITH WALL FLANGE:
CONNECTIONS: ½" NPT Male Inlet & Outlet

S-3010-E2 LOW FLOW MULTI FUNCTION SHOWER HEAD:
CONNECTIONS: ½" NPT Female Inlet
FLOW RATE: 2.0 gpm (7.6 L/min)
COMPLIANCE: ASME A112.18.1 / CSA B125.1 Standard & WaterSense Certified

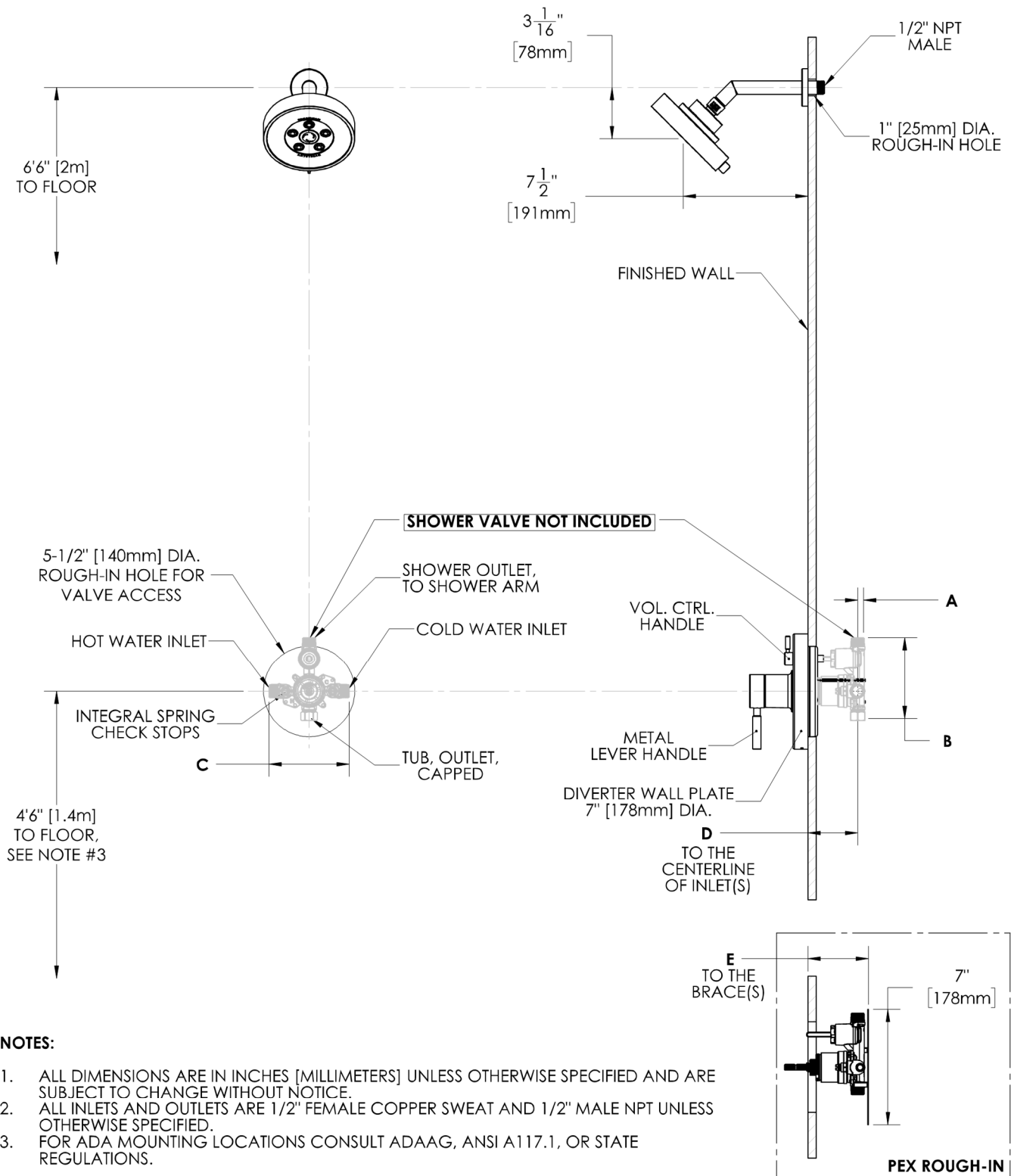
INSTRUCTIONS

See individual products for installation of the components and warranty information.

SPEAKMAN®

Phone: 800-537-2107 Fax: 800-977-2747
12/11/18 www.speakman.com 92C-SLV-1410-01

ROUGH-IN



NOTES:

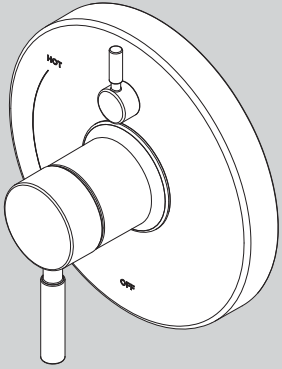
1. ALL DIMENSIONS ARE IN INCHES [MILLIMETERS] UNLESS OTHERWISE SPECIFIED AND ARE SUBJECT TO CHANGE WITHOUT NOTICE.
2. ALL INLETS AND OUTLETS ARE 1/2" FEMALE COPPER SWEAT AND 1/2" MALE NPT UNLESS OTHERWISE SPECIFIED.
3. FOR ADA MOUNTING LOCATIONS CONSULT ADAAG, ANSI A117.1, OR STATE REGULATIONS.

DIMENSION	CPV-PB-DV	CPV-T-DV	CPV-PB-DV-PXC	CPV-PB-DV-PXE	CPV-T-DV-PXC	CPV-T-DV-PXE
A	7/16" (11mm)	9/16" (14mm)	7/16" (11mm)	7/16" (11mm)	9/16" (14mm)	9/16" (14mm)
B	4-15/16" (125mm)	5-1/16" (128mm)	4-15/16" (125mm)	4-15/16" (125mm)	5-1/16" (128mm)	5-1/16" (128mm)
C	4-13/16" (123mm)	5-7/8" (150mm)	4-13/16" (123mm)	4-13/16" (123mm)	5-7/8" (150mm)	5-7/8" (150mm)
D	2-1/2" (63mm) MIN TO 3-1/2" (89mm) MAX					
E			3-1/8" (79mm) MIN TO 4-1/8" (105mm) MAX		3-3/16" (81mm) MIN TO 4-3/16" (106mm) MAX	

SPEAKMAN®

INSTRUCTIONS FOR MODELS

CPT-1401



NEED HELP?

For additional assistance or service please contact:

SPEAKMAN®

800-537-2107

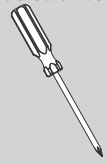
customerservice@speakman.com

www.speakman.com

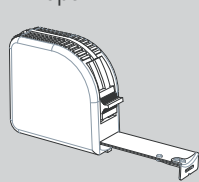
92-CPT-1401-01

TOOLS AND SUPPLIES

Phillips
Screwdriver



Measuring
Tape



IMPORTANT

- Do not over-tighten any connections or damage may occur.
- Be sure to read instructions thoroughly before beginning installation.
- Be sure to have properly adjusted the Temperature Limiting Stop (TLS) as per the Valve Installation Instructions before installing Valve Trim.

SAFETY TIPS

Cover your drain to prevent loss of parts.

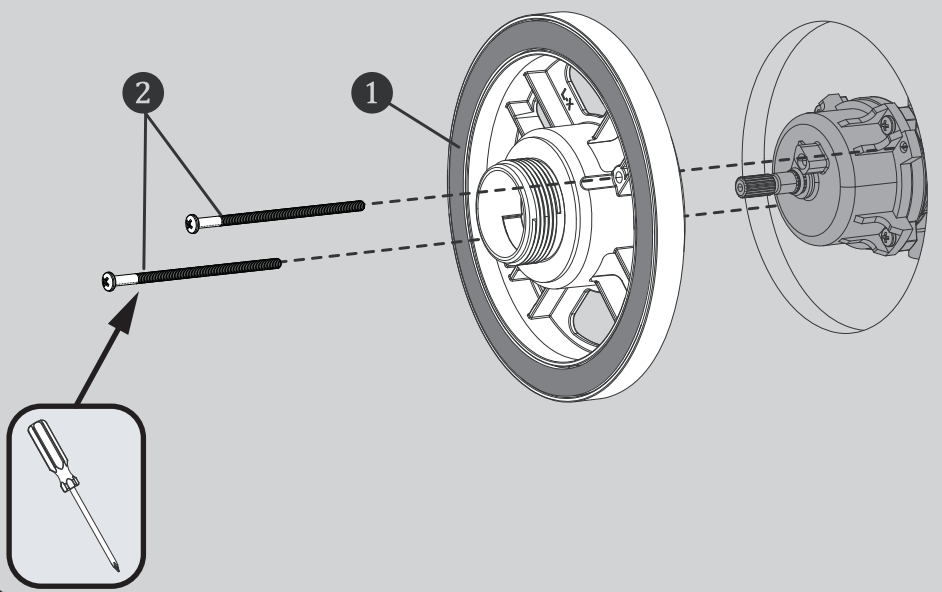
MAINTENANCE

Your new Speakman Product is designed for years of trouble-free performance. Keep it looking new by cleaning it periodically with a soft cloth. The use of harsh chemicals and abrasives on any of the Speakman custom finish products may damage the finish and void the product warranty. Please be sure to only use approved cleaners. Please contact Speakman for any clarification of acceptable cleaners.

WARRANTY

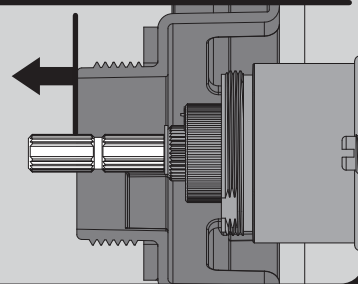
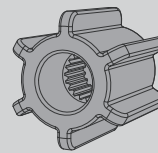
Warranty information can be found at:
www.speakman.com

1 Clean wall surface. Place Mounting Base (1) onto the valve, align mounting holes, and secure with supplied screws (2).

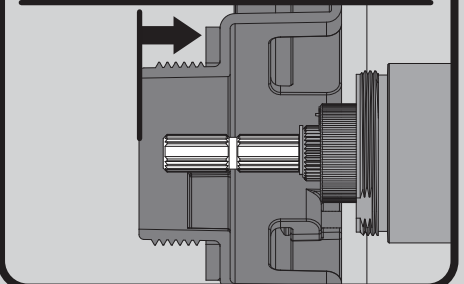
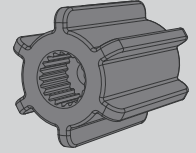


2 Verify the position of the Spindle within the Mounting Plate, as shown below. If the end of the Spindle extends beyond the Mounting Plate, then use the Shallow Mount Adapter. If the end of the Spindle is flush to, or is within the Mounting Plate, then use the Deep Mount Adapter.

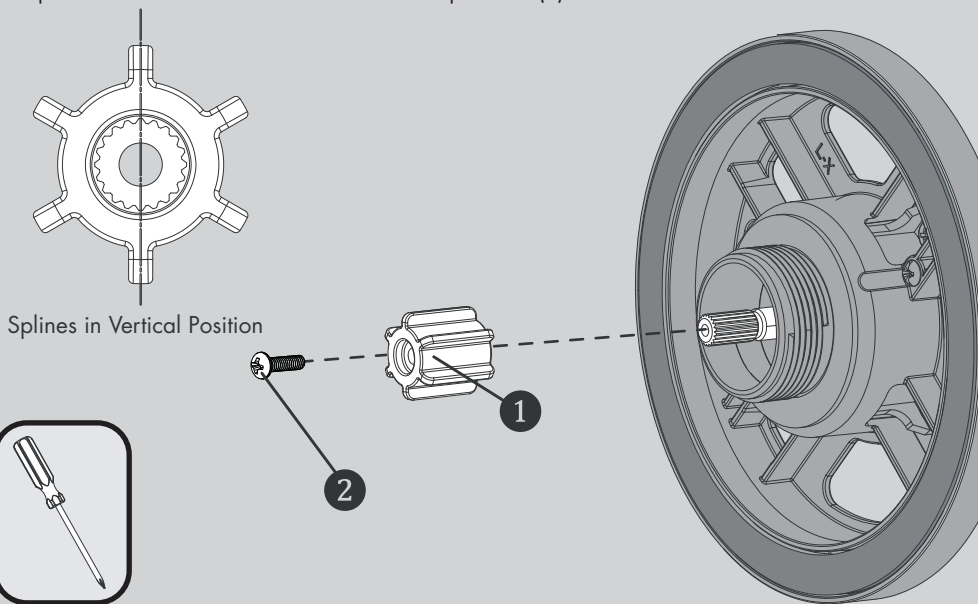
FOR SHALLOW MOUNT APPLICATION



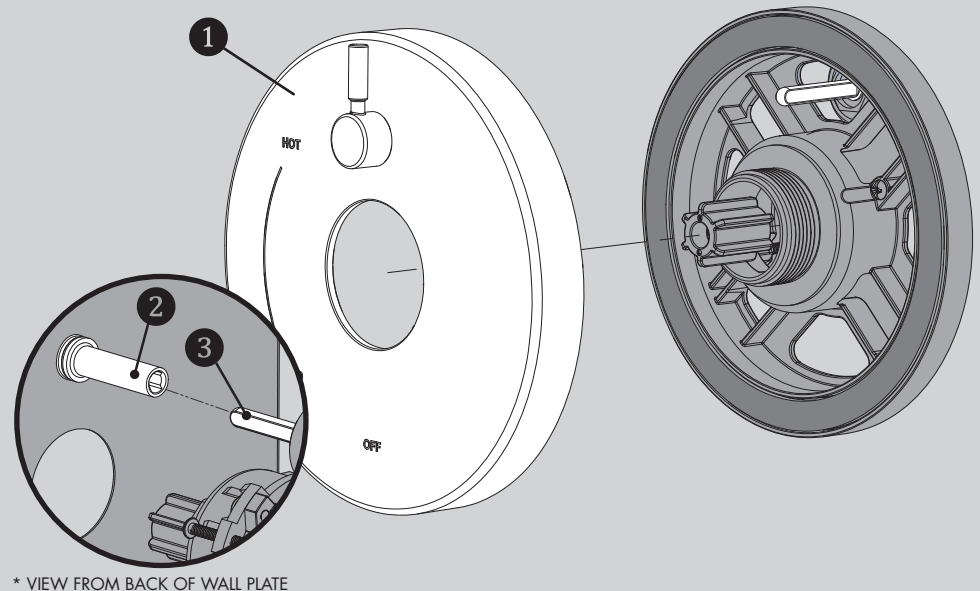
FOR DEEP MOUNT APPLICATION



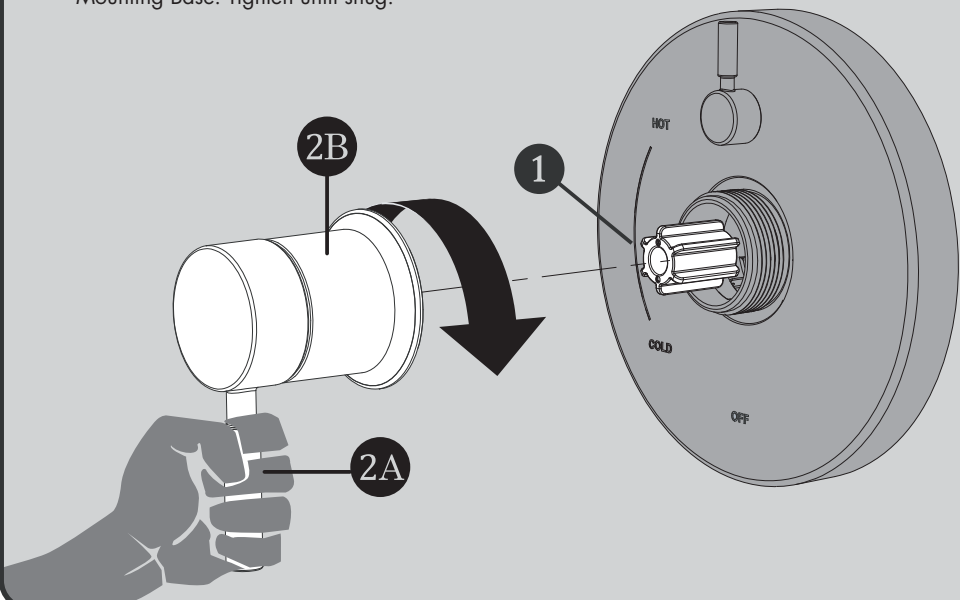
3 Confirm that Valve is in the "Off" position. Place appropriate Connector (1) on to the Spindle of the Valve, making sure to orient the Connector so that one set of Splines are in a perfectly vertical position. Secure Connector with 8-32 screw provided (2).

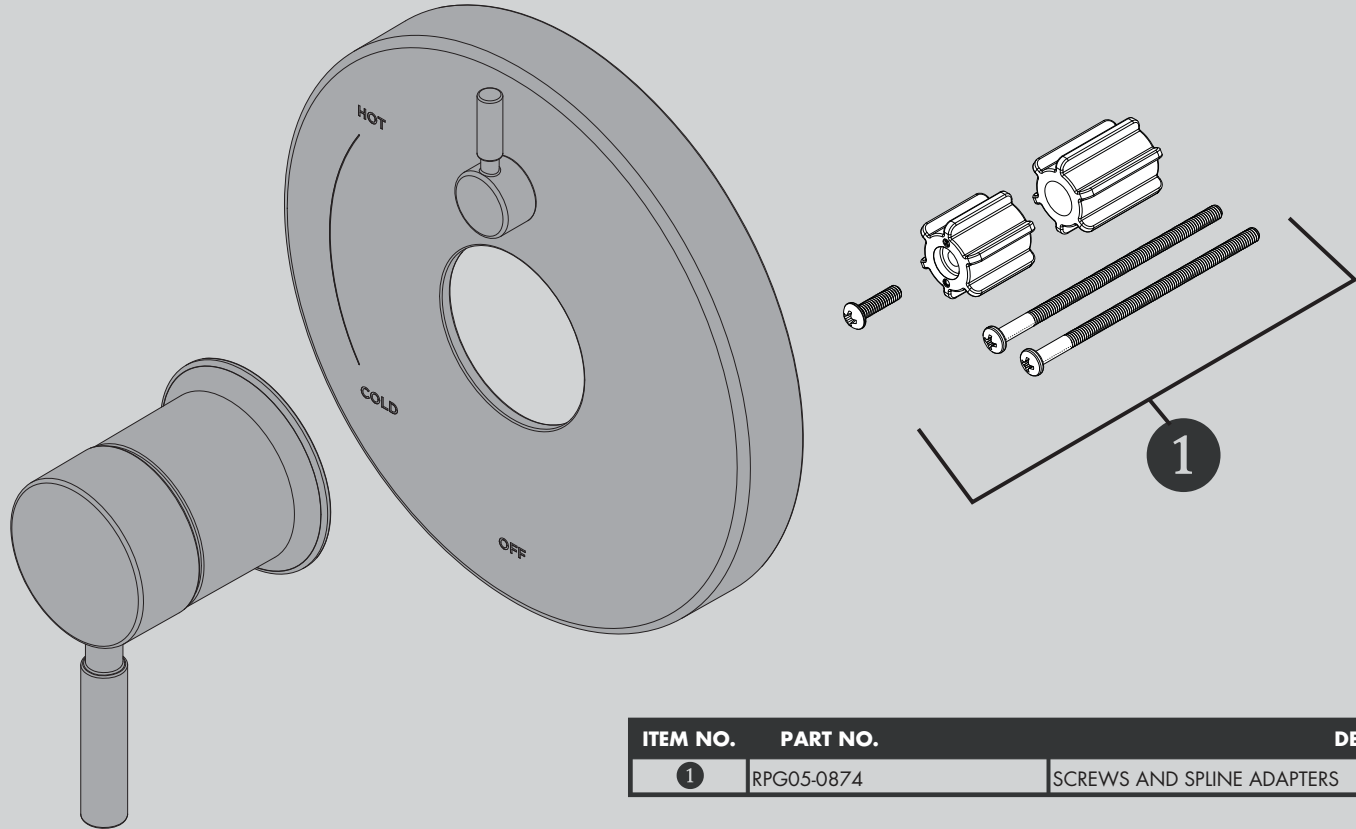


4 Place Wall Plate (1) on Mounting Base. Take care to orient the Wall Plate as shown below. Verify the Diverter Valve Stem is in the OFF (vertical) position. Align the Diverter Drive Tube (2) on the Wall Plate to the Stem (3) of the Diverter Valve.

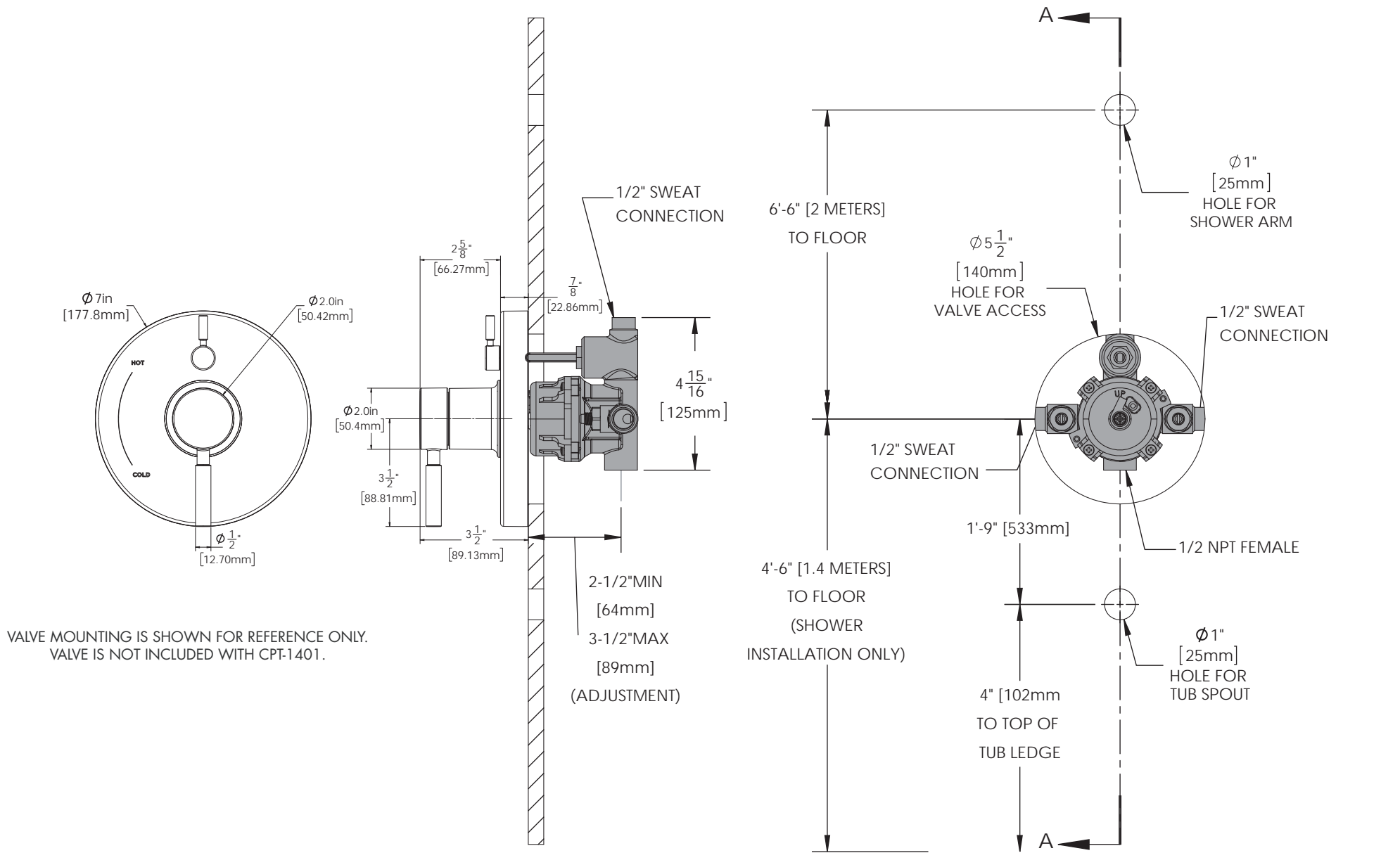


5 Align Handle Assembly with Connector (1) and Escutcheon as shown below. Keep Handle (2A) in a stationary vertical position and place over Connector (1) and engage the Splines of the Connector with the Handle Assembly. Keep Handle in the vertical position as you thread Handle Hub (2B) on to Mounting Base. Tighten until snug.



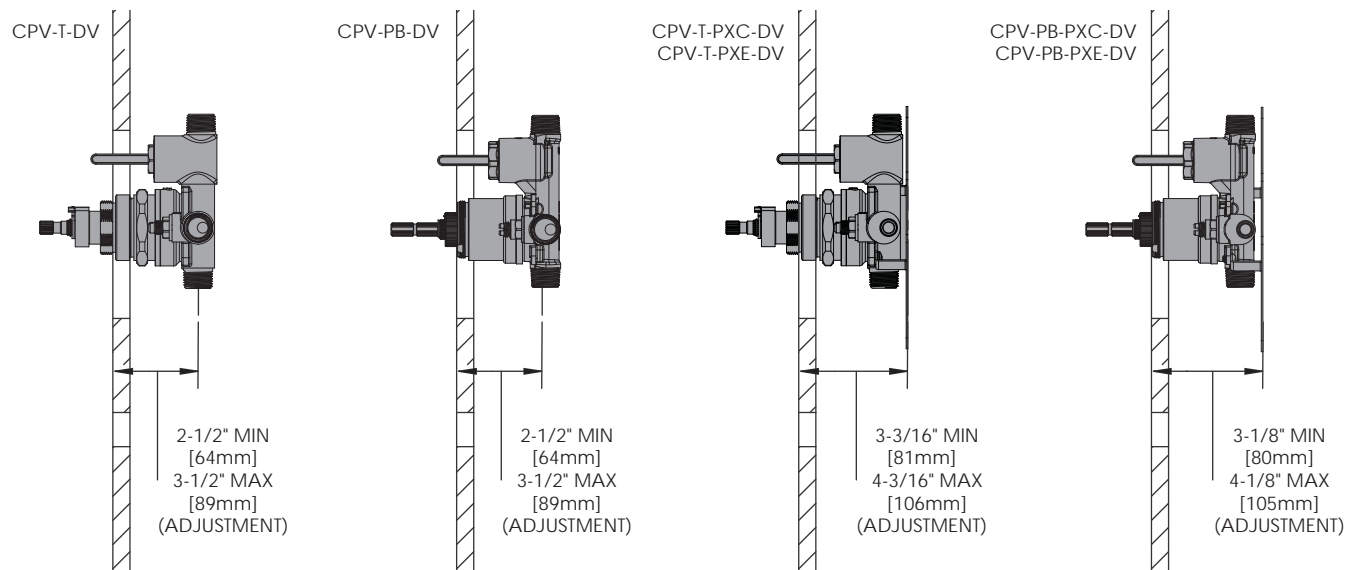


ITEM NO.	PART NO.	DESCRIPTION
1	RPG05-0874	SCREWS AND SPLINE ADAPTERS



VALVE MOUNTING IS SHOWN FOR REFERENCE ONLY. VALVE IS NOT INCLUDED WITH CPT-1401.

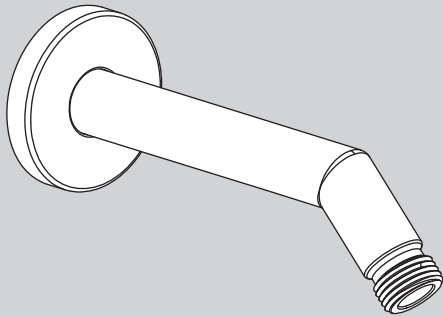
NOTE: TRIM FITS DIFFERENT VALVES. ROUGH-IN DIMENSIONS PROVIDED FOR REFERENCE ONLY.



DIMENSIONS SUBJECT TO CHANGE WITHOUT NOTICE.

INSTRUCTIONS FOR MODELS

S-2540



NEED HELP?

For additional assistance or service please contact:

SPEAKMAN® Company
400 Anchor Mill Road
New Castle, DE 19720

800-537-2107

customerservice@speakman.com

www.speakman.com

92-S-2540-03

TOOLS AND SUPPLIES

Thread Seal
Tape



Allen Wrench
(Included)



IMPORTANT



Be sure to read instructions thoroughly before beginning installation. Do not overtighten any connections or damage may occur.

SAFETY TIPS

Cover your drain to prevent loss of parts.

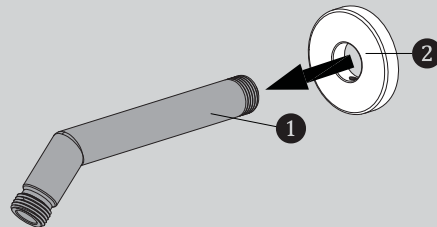
MAINTENANCE

Your new Shower Arm is designed for years of trouble-free performance. Keep it looking new by cleaning it periodically with a soft cloth. Avoid abrasive cleaners, steel wool and harsh chemicals as these will dull the finish and void your warranty.

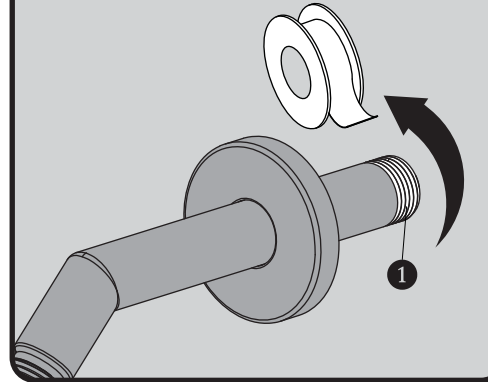
WARRANTY

Additional warranty information can be found at:
www.speakman.com

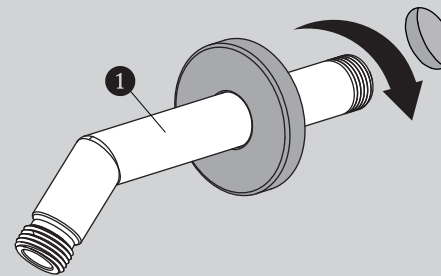
- 1** Slide Escutcheon Plate (2) over the long end of the Shower Arm (1).



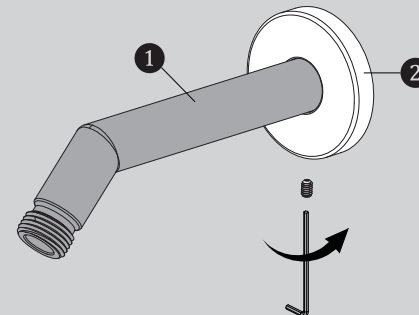
- 2** Apply Thread Seal Tape to inlet side of Shower Arm (1).



- 3** Thread Shower Arm (1) into Female Pipe Fitting within the wall. Firmly tighten, and make sure Shower Arm (1) Outlet is pointing in a downward position.

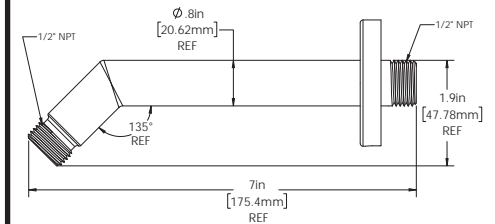
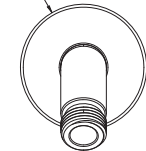


- 4** Position Escutcheon Plate (2) flat against wall. Secure Escutcheon Plate (2) to Shower Arm (1) by tightening set screw with Allen Wrench (Hex: 2.0mm) provided.



ROUGH IN DIMENSIONS

Ø2.25in
[57.15mm]
REF

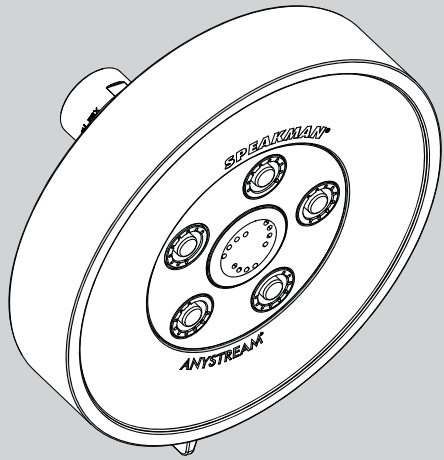


Specifications:

Supply Inlet: 1/2" NPT
Outlet: 1/2" NPT

INSTRUCTIONS FOR MODELS

S-3010
S-3010-E2
S-3010-E175



NEED HELP?

For additional assistance or service please contact:

SPEAKMAN® Company
400 Anchor Mill Road
New Castle, DE 19720

800-537-2107

customerservice@speakman.com

www.speakman.com

92-S-3010-03

TOOLS AND SUPPLIES

Thread Seal
Tape
(included)



Adjustable
Wrench



IMPORTANT



Be sure to read instructions thoroughly before beginning installation. Do not overtighten any connections or damage may occur.

SAFETY TIPS

Cover your drain to prevent loss of parts.

MAINTENANCE

Periodic cleaning using a mild soap and warm water will help keep your Showerhead's appearance in its original condition.

For best results, dry immediately with a soft, clean cloth. **DO NOT USE** harsh and/or abrasive cleaners.

To help restore the finish, occasionally apply a non-abrasive wax to your showerhead body (follow manufacturers' instructions).

On **CHROME PLATED SHOWER HEADS**, a two (2) part white vinegar, one (1) part water solution can be used to break down excessive mineral deposits on the sprays. Let the showerhead soak in the solution for about ½ hour then rinse thoroughly. Brush off any remaining mineral deposits if necessary.

DO NOT USE the vinegar/water treatment on any finish other than Chrome.

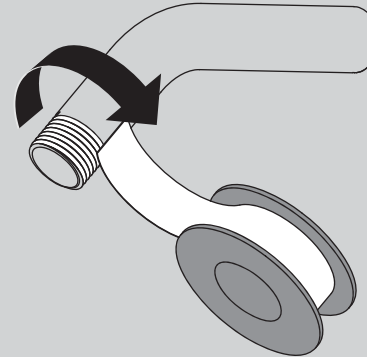
To reduce mineral build-up, turn the handle to **FLOOD** position to let the water drain out after every use.

WARRANTY

Additional warranty information can be found at:
www.speakman.com

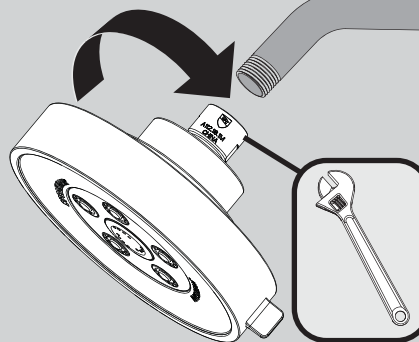
1

Apply Thread Seal Tape to the outlet side of shower arm in a clockwise direction.



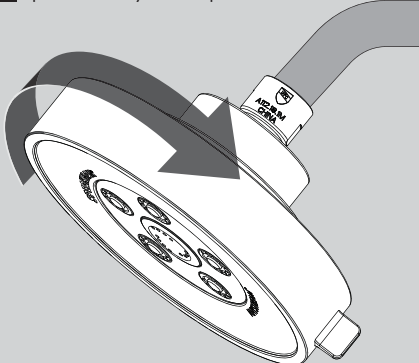
2

Thread Shower head onto shower arm by turning it in a clockwise direction. Tighten with adjustable wrench. Turn water supply on and check for leaks.

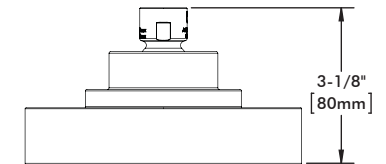
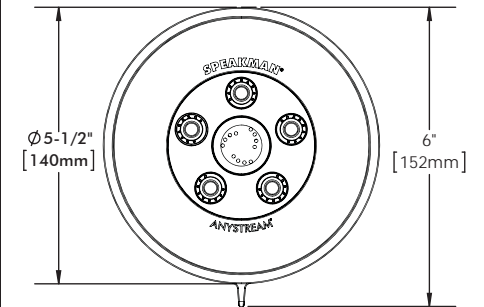


3

Adjust spray pattern by rotating faceplate to preferred Anystream® position.



ROUGH IN DIMENSIONS



Model: S-3010
Max. Flow Rate: 2.5 gpm (9.5L/min)
Min. Flow Rate: 2.0 gpm (7.6 L/min) @ 45psi
FOR USE WITH AUTOMATIC COMPENSATING VALVES RATED AT 7.6 L/MIN (2.0 GPM) OR LESS.

Model: S-3010-E2
Max. Flow Rate: 2.0 gpm (7.6 L/min)
Min. Flow Rate: 1.5 gpm (5.7 L/min) @ 45psi
FOR USE WITH AUTOMATIC COMPENSATING VALVES RATED AT 6.6 L/MIN (1.75 GPM) OR LESS.

Model: S-3010-E175
Max. Flow Rate: 1.75 gpm (6.6 L/min)
Min. Flow Rate: 1.3 gpm (4.9 L/min) @ 45psi
FOR USE WITH AUTOMATIC COMPENSATING VALVES RATED AT 5.7 L/MIN (1.5 GPM) OR LESS.

Specifications:

Inlet: 1/2" NPT FEMALE