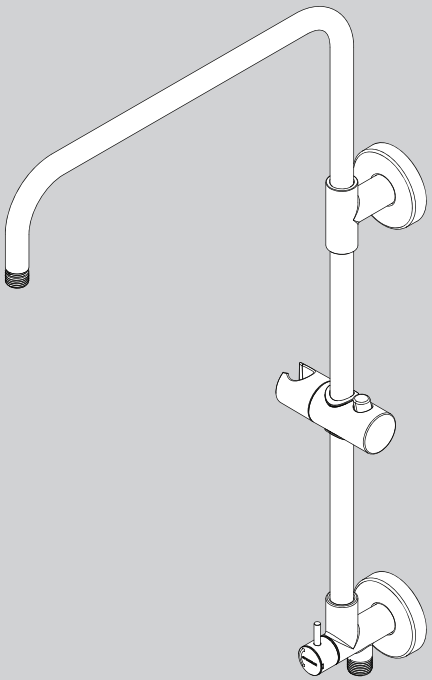


INSTRUCTIONS FOR MODELS

WS-3005
WS-3010



NEED HELP?

For additional assistance or service please contact:

SPEAKMAN®

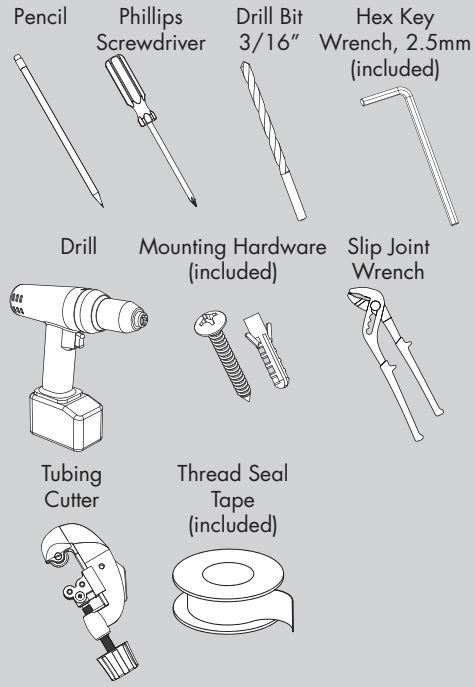
800-537-2107

customerservice@speakman.com

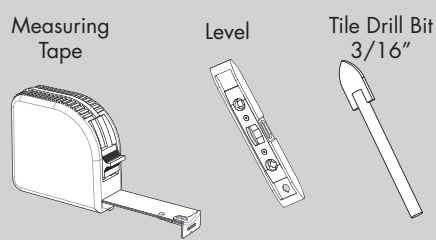
www.speakman.com

92-WS-30XX-02

TOOLS AND SUPPLIES



HELPFUL TOOLS & SUPPLIES:



IMPORTANT

- Do not over-tighten any connections or damage may occur.
- Be sure to read instructions thoroughly before beginning installation.
- This item is NOT designed for use as a grab bar. Do not mount in locations where product is likely to be used as a grab bar.

SAFETY TIPS

- Cover your drain to prevent loss of parts. Be sure to follow all tool manufacturers safety guidelines.
- Use caution when drilling into walls to avoid electrical and plumbing lines hidden within the wall.

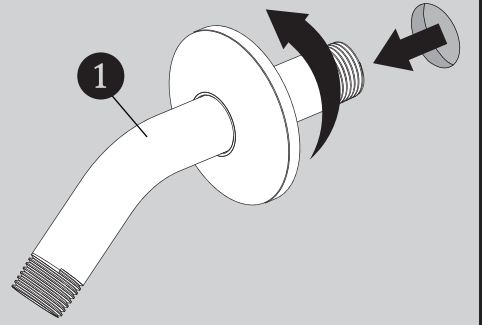
MAINTENANCE

Your new Speakman Product is designed for years of trouble-free performance. Keep it looking new by cleaning it periodically with a soft cloth. The use of harsh chemicals and abrasives on any of the Speakman custom finish products may damage the finish and void the product warranty. Please be sure to only use approved cleaners. Please contact Speakman for any clarification of acceptable cleaners.

WARRANTY

Warranty information can be found at:
www.speakman.com

1 If present, remove existing Shower Arm and Flange from the wall (1). Ensure Female Pipe Fitting within the wall is secure.

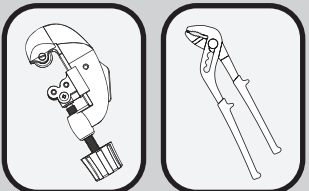
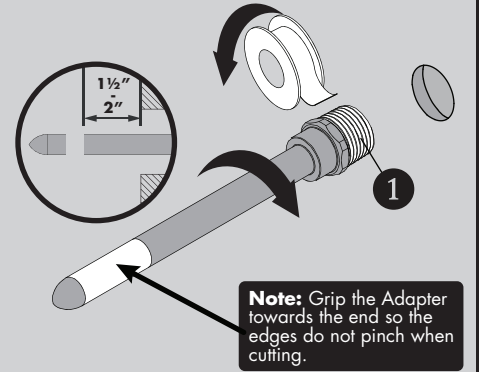


2 Apply Thread Seal Tape to Adapter (1) in a counter-clockwise direction. Thread Adapter (1) into Female Pipe Fitting within the wall with a Slip Joint Wrench. Ensure the Adapter is level and plumb.

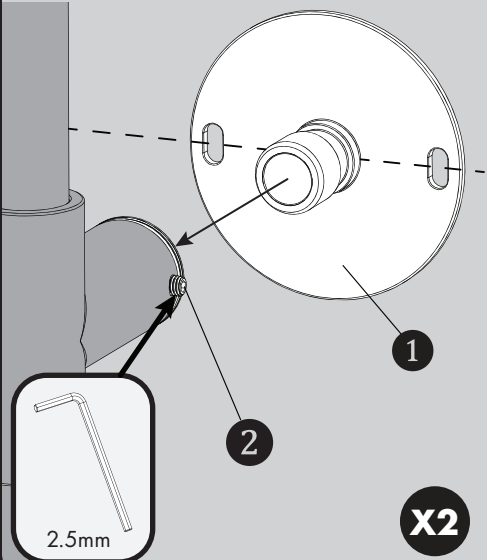
IMPORTANT: Turn on water supplies and check for leaks. If no leaks are present, turn off water supplies and continue.

Measure and mark a line on the adapter at 1 1/2"-2" from the finished wall surface. Cut remaining section free from adapter using a tubing cutter. Be sure to deburr the edges after cutting.

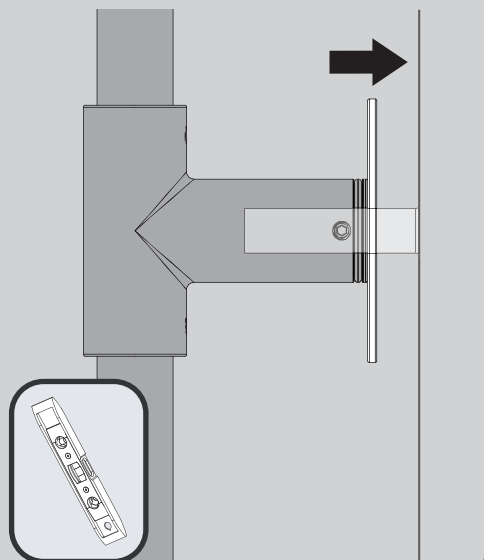
Note: Turn on water supplies and check for leaks **BEFORE** cutting the Adapter.



3 Install the top and bottom Mounting Flanges (1) to the Slide Bar assembly. Align mounting holes so they are horizontal. Snug the Set Screws (2) to temporarily secure the Mounting Flanges to the Slide Bar assembly.

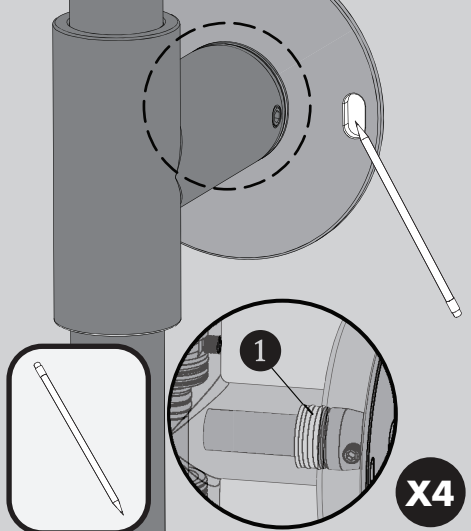


4 Align and install the Slide Bar assembly over the Adapter. Ensure there is proper engagement with the water inlet tube. Position the Mounting Flanges flush with wall surface. Orient Slide Bar so that it is perfectly vertical.



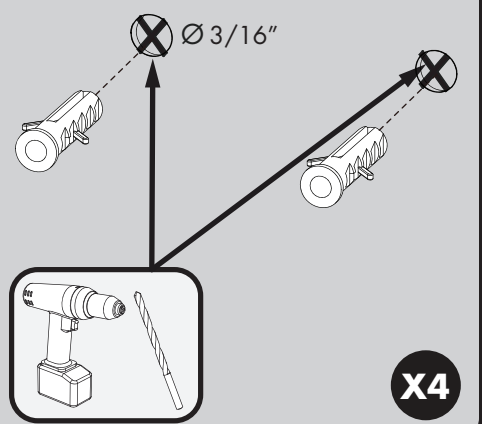
5 Once the Slide Bar is aligned and flush with wall surface, mark the four (4) mounting locations. Remove Slide Bar assembly from Wall.

Note: If the O-Ring (1) becomes dislodged onto the Adapter, remove from Adapter and position back into the Arm Brace.

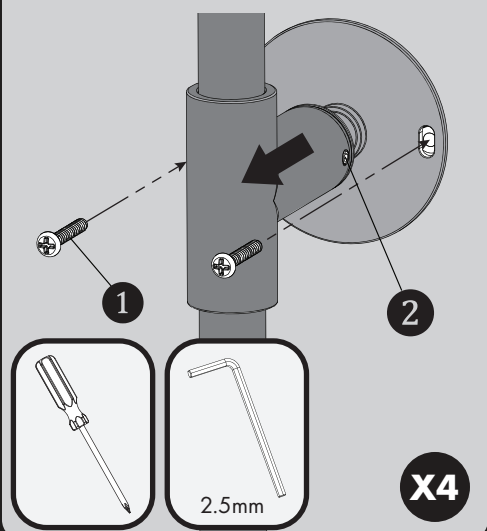


6 Drill 3/16" hole in marked locations. If drilling into tile, be sure to use a drill bit designated for tile. Push the Plastic Anchors (x4) into the drilled holes until they are flush with the wall.

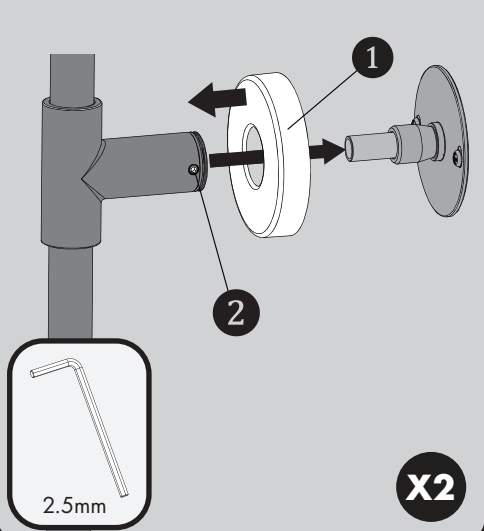
Note: If mounting directly into stud or wood wall, Mounting Anchors are not required. Use the included Mounting Screws to secure the Mounting Flanges to structure. Plastic Anchors provided may not be suitable for all types of wall construction, seek professional help if in doubt.



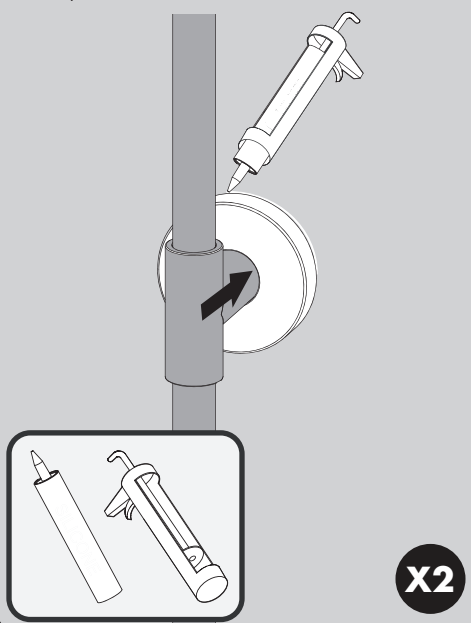
7 Position the Slide Bar assembly over the Adapter and align to final mounting position as shown in STEP 4. Secure Mounting Flanges with the Mounting Screws (1) provided. Loosen but do not remove the previously tightened Set Screws (2). Remove Slide Bar assembly from the installed Mounting Flanges.



8 Slide the Decorative Cover Plates (1) into position over the posts of the Slide Bar assembly. Install Slide Bar over the Adapter and Mounting Flanges. While pressing the Slide Bar assembly towards the wall, secure the assembly to the Upper and Lower Mounting Flanges by tightening Set Screws (2).



9 Position Flange Cover Plates over the Mounting Flanges. Optional: Apply silicone where cover plate meets the wall.



10 Orient the Hand Held Shower Bracket to your desired position. Adjustments are made by pressing the Button (1) down to release the position, and then releasing to lock into the desired position.

