



Model H-16 B6X2 Multilevel Park Grill

**SPECIFICATION
BULLETIN**
#SPC-GR-039
REV. 12-14



Model H-16 B6X2 Grill

FEATURES

- **Grate tips out of the way for fire building and cleaning**
- **Grate is permanently attached to the grill with retainer bars**
- **Four cooking height levels**
- **Grate supported at four points on three sides of the firebox**
- **Integral ash retainer flange combats heat warpage and prevents ashes from falling from the firebox**
- **Full 360° rotation for draft control**
- **Public use-type grips of coiled steel bar**
- **Economic design, quality construction**

SPECIFICATIONS:

- **Model H-16 B6X2** has a 250 sq. in. grate that adjusts to 4 levels in a 16" x 16" firebox with 8" sides.
- Firebox and swivel mechanism are constructed entirely of 3/16" steel plate with integral ash flange die-formed into front edge of firebox to retain ashes and provide reinforcement. All exposed corners are rounded to 1-1/2" radius and all edge connections are entirely welded. Allowance for drainage is provided.
- Removal of grate from firebox is prevented by 2 steel retainer bars that allow grate to be tipped vertically for cleaning or fire building and prevent grate from falling into ashes.
- Grate is constructed from 5/8" dia. A-36 steel bar around the perimeter and handles and 1/2" dia. A-36 steel bars to provide the grate surface.
- Grate is provided with two substantially constructed spring coil grips suitable for public use made from 1/8" x 1/2" steel flat bar (not wire springs).
- Grill is permanently attached after base installation by means of absolutely theft-proof base attachment allowing continuous rotation of grill in either direction.
- **Standard:** Grill is supported by a 2-3/8" x 41" long, two-section steel pipe for permanent installation in concrete footing. (Indicated by B6X2 in model no., e.g. H-16 B6X2)
- Entire unit is finished in high temperature, heat resistant, nontoxic black enamel.
- **Firebox and Grate are Fully Assembled.**
- **Ships in one box.**
Weight: 68 lbs.
Dimensions: 17-3/4"W x 23-1/2"L x 13-1/4"H.

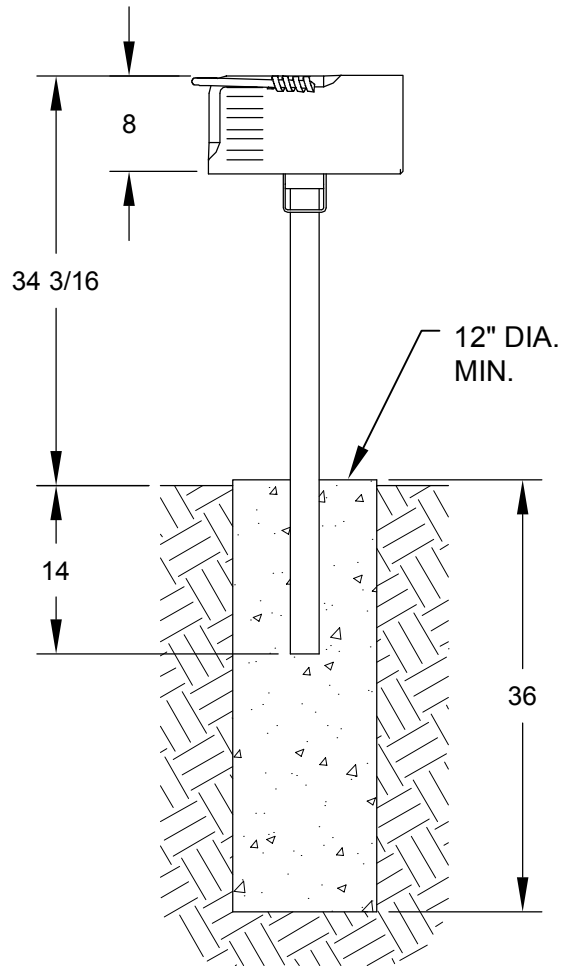
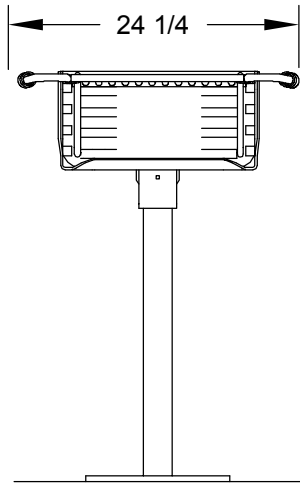
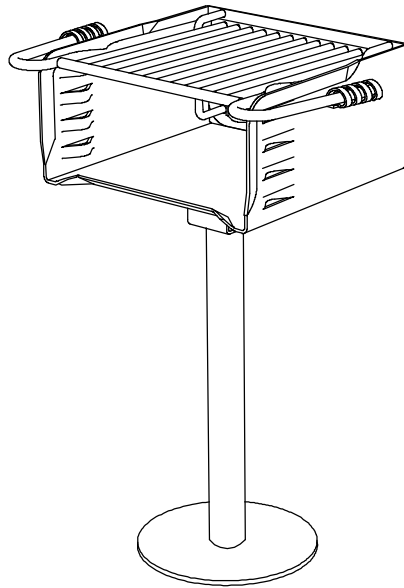
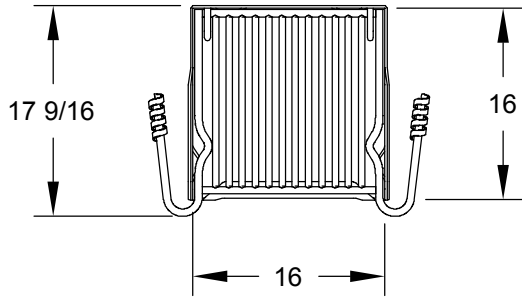


Content of the box

RJThomas Mfg. Co., Inc.

PO Box 946 • Cherokee, IA 51012-0946 • PH: 712-225-5115 • 800-762-5002 • FAX: 712-225-5796
E-Mail: customerservice@rjthomas.com

© 2015 RJThomas Mfg. Co., Inc.



NOTE:
LOCAL SOIL CONDITIONS MAY
REQUIRE A LARGER FOOTING

ALL DIMENSIONS IN INCHES

RJThomas
Mfg. Co., Inc.
P.O. Box 946
Cherokee, IA 51012

TITLE MODEL H-16 B6X2 MULTILEVEL PARK GRILL

DRAWN BY	WWM
DATE	7-03-14
DWG. NO.	AI-1400