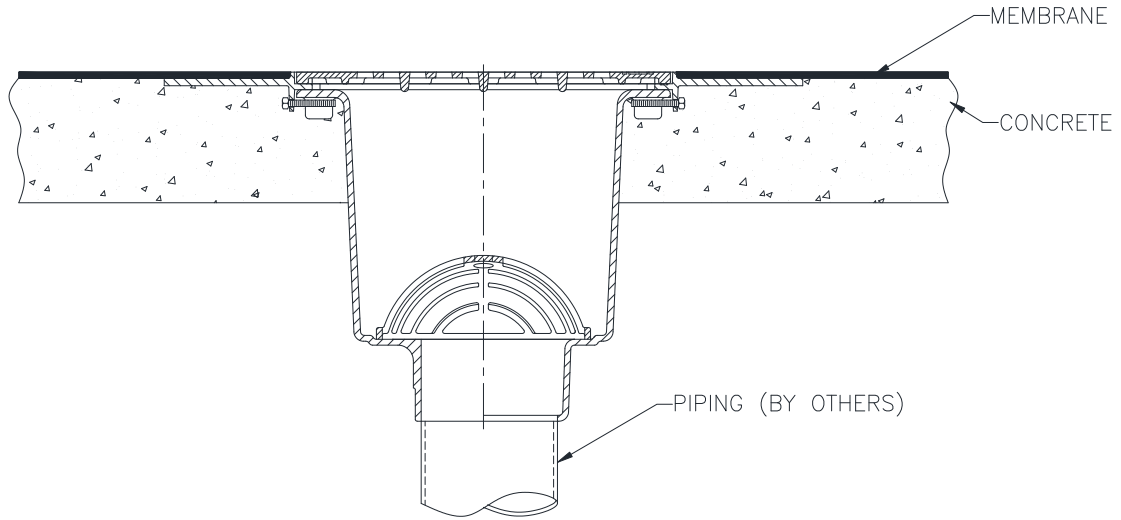




Z1900-DX, Z1901-DX, Z1902-DX

TYPICAL INSTALLATION FOR SANI-FLOR RECEPTORS

Dimensional data (inches and [mm]) are subject to manufacturing tolerances and change without notice.



ZN1900-DX, ZN1901-DX, ZN1902-DX SANI-FLOR RECEPTOR WITH DEX-O-TEX FLANGE (FOR MEMBRANE SYSTEM)

When attaching the frame to the body Zurn recommends the use of a sealant (provided by other) that is compatible with both materials. Place a continuous bead of sealant around the lip of the drain, place the frame over the sealant and with the provided screw attach the frame permanently to drain.

⚠ WARNING: Cancer and Reproductive Harm - www.P65Warnings.ca.gov
⚠ ADVERTENCIA: Cáncer y daño reproductivo - www.P65Warnings.ca.gov
⚠ AVERTISSEMENT: Cancer et effets néfastes sur la reproduction - www.P65Warnings.ca.gov

Zurn Industries, LLC | Light Commercial Plumbing Products
1801 Pittsburgh Avenue, Erie, PA U.S.A. 16502 · Ph. 855-663-9876, Fax 814-454-7929
In Canada | Zurn Industries Limited
3544 Nashua Drive, Mississauga, Ontario L4V 1L2 · Ph. 905-405-8272, Fax 905-405-1292
www.zurn.com

Rev. A
Date: 4/24/2018
C.N. No. 139950
Form # FS18

Sheet 1 of 1