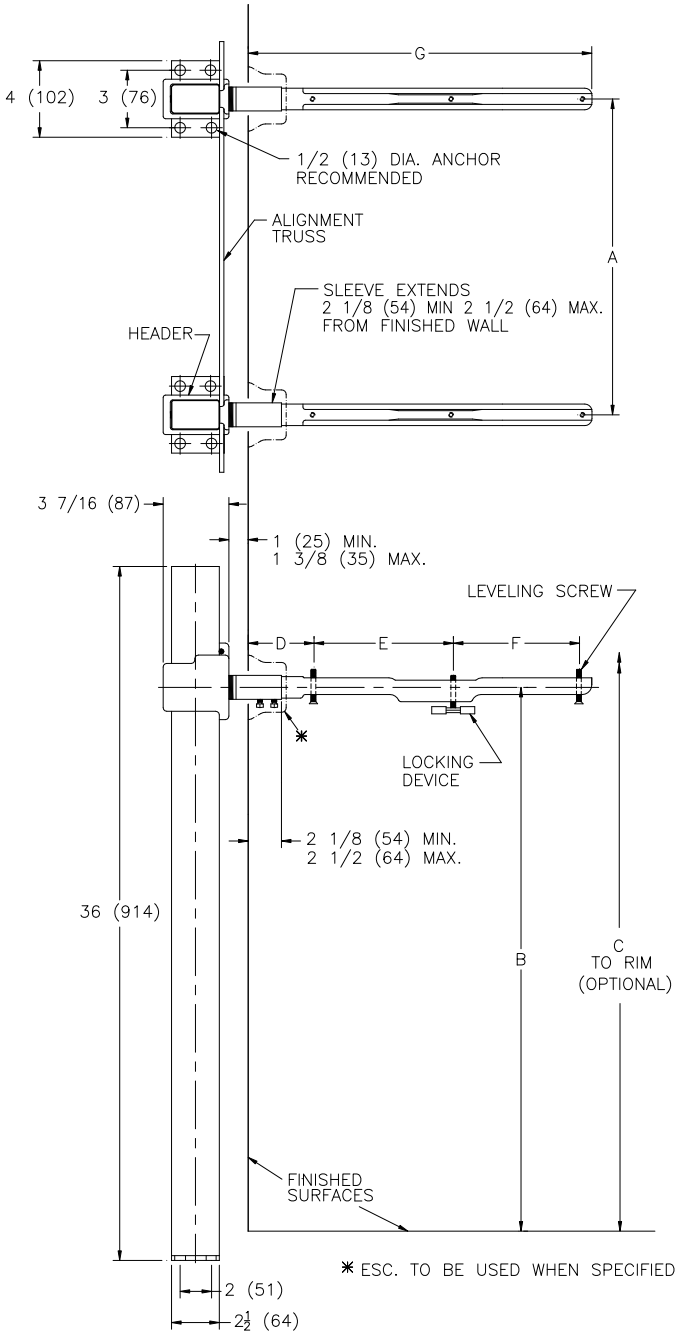




INSTALLATION SHEET FOR Z1231 (TYPICAL INSTALLATION SHOWN) ARM STYLE -001

Dimensional Data (inches and [mm]) are Subject to Manufacturing Tolerances and Change Without Notice



A	B	C	D	E	F	G	ESC.
American Std. (20 x 18)							
Roxalyn 0194.076 0194.073							
16-1/2 (420)	29-1/4 (743)	31 (787)	4 (102)	7 (178)	7 (178)	18-1/2 (470)	YES
American Std. (20 x 18)							
Roxalyn 0194.043 0194.092							
16-1/2 (420)	32-1/4 (819)	34 (864)	4 (102)	7 (178)	7 (178)	18-1/2 (470)	YES
American Std. (24 x 20)							
Roxalyn 0194.134 0194.289							
20 (508)	29-1/4 (743)	31 (787)	4 (102)	7 (178)	7 (178)	18-1/2 (470)	YES
American Std. (28 x 20)							
Surgeons 9010.018 9010.042 9012.014 9013.020							
24 (610)	32-1/16 (814)	34 (864)	4 (102)	7 (178)	7 (178)	18-1/2 (470)	YES

DIMENSIONS IN () ARE IN MM

PARTS LIST

PART NUMBER

(2)	Header	56311-001
(1)	Alignment Truss (24[610])	28588-008
(2)	Arm	02008-001
(2)	Arm Sleeve (4 [102])	82069-001
(4)	Arm Set Screw (3/8-16 X 1/2 [13])	18006-071
(4)	Header Set Screw (3/8-16 X 1/2 [13])	18006-071

(1) BAG # 8:

(2)	Locking Device	30027-001
(4)	Leveling Screw (1/4-20 X 1-3/4 [45])	23453-042
(3)	INSTRUCTION SHEET	Form #C3-C6

* ESC. TO BE USED WHEN SPECIFIED

⚠ WARNING: Cancer and Reproductive Harm - www.P65Warnings.ca.gov

⚠ ADVERTENCIA: Cáncer y daño reproductivo - www.P65Warnings.ca.gov

⚠ AVERTISSEMENT: Cancer et effets néfastes sur la reproduction - www.P65Warnings.ca.gov

Zurn Industries, LLC | Specification Drainage Operation
1801 Pittsburgh Avenue, Erie, PA U.S.A. 16502 · Ph. 855-663-9876, Fax 814-454-7929

In Canada | Zurn Industries Limited
3544 Nashua Drive, Mississauga, Ontario L4V 1L2 · Ph. 905-405-8272, Fax 905-405-1292

www.zurn.com

Rev. F
Date: 04/16/2018
C.N. No. 139851
Form No. C3