



SINGLE CONTROL FAUCET

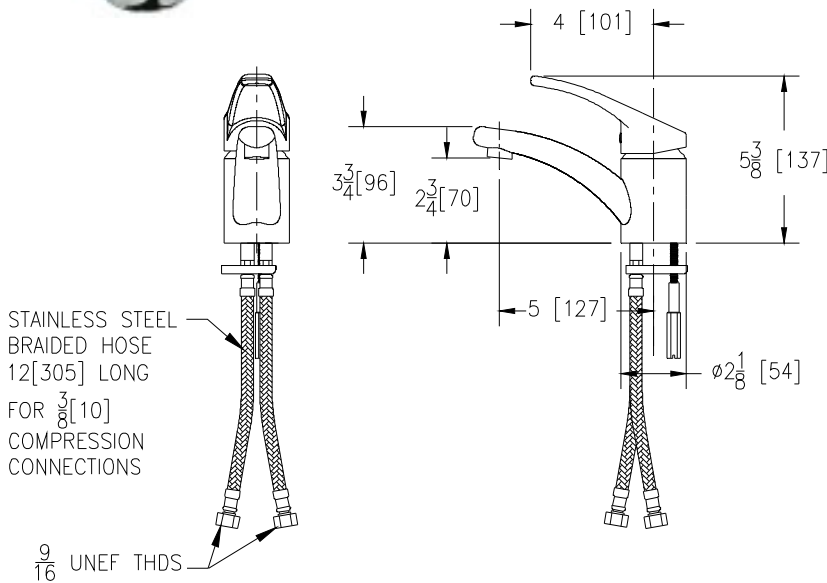
Z82200-XL

TAG _____



Engineering Specification: Zurn AquaSpec® Z82200-XL

Polished chrome plated cast brass single lavatory faucet with an integral 5" [127mm] cast spout, a ceramic disc cartridge and a temperature limit stop. Unit is furnished with a 2.2 GPM [8.3 L] pressure compensating aerator (Complying with ANSI A112.18.1 Standard for flow), a metal ADA compliant lever handle, stainless steel flex connection hoses, and mounting hardware.



Zurn Lead Compliant* "XL" products are a line of durable, high quality brass faucets and fixtures that are designed and manufactured to comply with state laws and local codes that mandate lead content levels. Zurn "XL" products are manufactured with *not more than 0.25% lead content when used with respect to wetted surfaces of pipes and pipe fittings, plumbing fitting and fixtures: California Health & Safety Code § 116875; Vermont 9 VCA § 2470h



Note: All dimensions are for reference only. Do not use for pre-plumbing

OPTIONAL ACCESSORIES

Suffix	Description
<input type="checkbox"/> -CP4	Chrome Plated 4" [102mm] Cover Plate
<input type="checkbox"/> -CP8	Chrome Plated 8" [203mm] Cover Plate
<input type="checkbox"/> -CST	Copper Supply Tubes
<input type="checkbox"/> -G	1-1/4" [32mm] Grid Strainer Drain
<input type="checkbox"/> -P	1-1/4" [32mm] Pop-up Drain
<input type="checkbox"/> -2M	2.2 GPM [8.3 L] Vandal-Resistant Pressure Compensating Male Aerator
<input type="checkbox"/> -3M	.5 GPM [1.9 L] Vandal-Resistant Pressure Compensating Male Spray Outlet
<input type="checkbox"/> -4M	2.2 GPM [8.3 L] Vandal-Resistant Pressure Compensating Male Laminar Flow Outlet
<input type="checkbox"/> -7M	1.0 GPM [3.8 L] Pressure Compensating Male Spray Outlet
<input type="checkbox"/> -15M	Male Full Flow Outlet
<input type="checkbox"/> -16M	1.0 GPM [3.8 L] Vandal Resistant Pressure Compensating Male Spray Outlet
<input type="checkbox"/> -17M	1.5 GPM [5.7 L] Vandal Resistant Pressure Compensating Male Aerator
<input type="checkbox"/> -18FH	18" [457mm] S.S. Braided Flex Hoses
<input type="checkbox"/> -18M	1.5 GPM [5.7 L] Vandal Resistant Pressure Compensating Male Laminar Flow Outlet
<input type="checkbox"/> -19M	1.5 GPM [5.7 L] Anti-Microbial Pressure Compensating Male Laminar Flow Outlet
<input type="checkbox"/> -21M	1.0 GPM [3.8L] Pressure Compensating Male Laminar Flow Outlet
<input type="checkbox"/> -22M	1.0 GPM [3.8L] Pressure Compensating Vandal-Resistant Male Laminar Flow Outlet
<input type="checkbox"/> -23M	1.5 GPM [5.7L] Pressure Compensating Male Aerator
<input type="checkbox"/> -25M	0.35 gpm [1.3L] VR Pressure Compensating Male Spray Outlet

ZURN INDUSTRIES, LLC. ♦ COMMERCIAL BRASS OPERATION ♦ 5900 ELWIN BUCHANAN DRIVE ♦ SANFORD NC 27330

Phone: 1-800-997-3876 ♦ Fax: 919-775-3541 ♦ World Wide Web: www.zurn.com

In Canada: ZURN INDUSTRIES LIMITED ♦ 3544 Nashua Drive ♦ Mississauga, Ontario L4V1L2 ♦ Phone: 905-405-8272 Fax: 905-405-1292