

SPLIT-TYPE AIR CONDITIONERS

OUTDOOR UNIT

Revision A:

• MUZ-WR09/12/18NA-U2 have been added.

OBB819 is void.

No. OBB819
REVISED EDITION-A

PARTS CATALOG

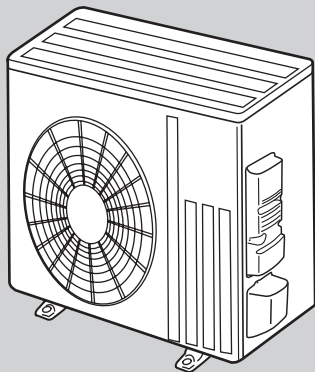
Models

MUZ-WR09NA - U1 , U2

MUZ-WR12NA - U1 , U2

MUZ-WR18NA - U1 , U2

MUZ-WR24NA - U1



MUZ-WR24NA

CONTENTS

1. SERVICE PARTS LIST	2
2. OPTIONAL PARTS	8

SERVICE MANUAL (OBH819)

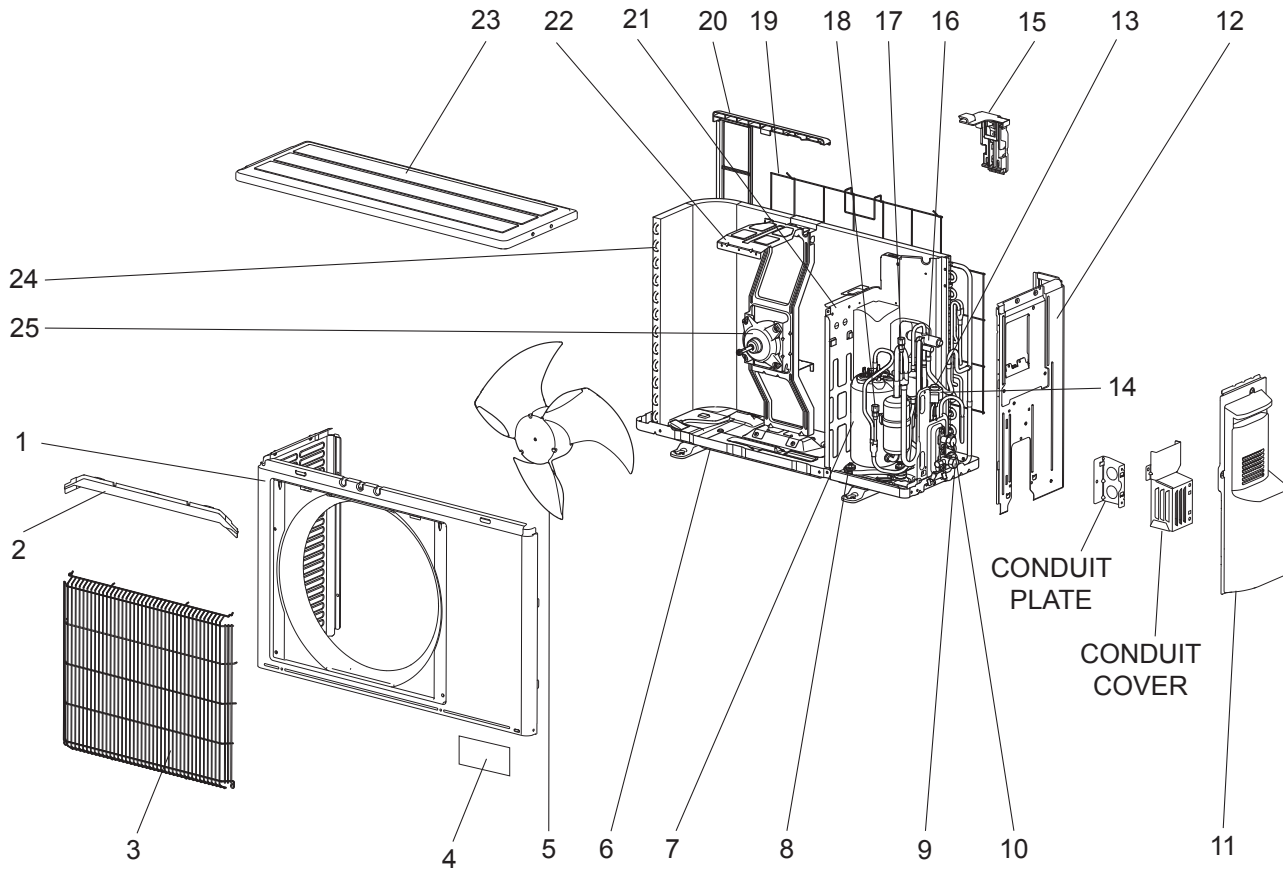
Revision A:

• MUZ-WR09/12/18NA-U2 have been added.

1 SERVICE PARTS LIST

MUZ-WR09NA-U1, U2 MUZ-WR12NA-U1, U2 MUZ-WR18NA-U1, U2

1-1. OUTDOOR UNIT STRUCTURAL PARTS AND FUNCTIONAL PARTS



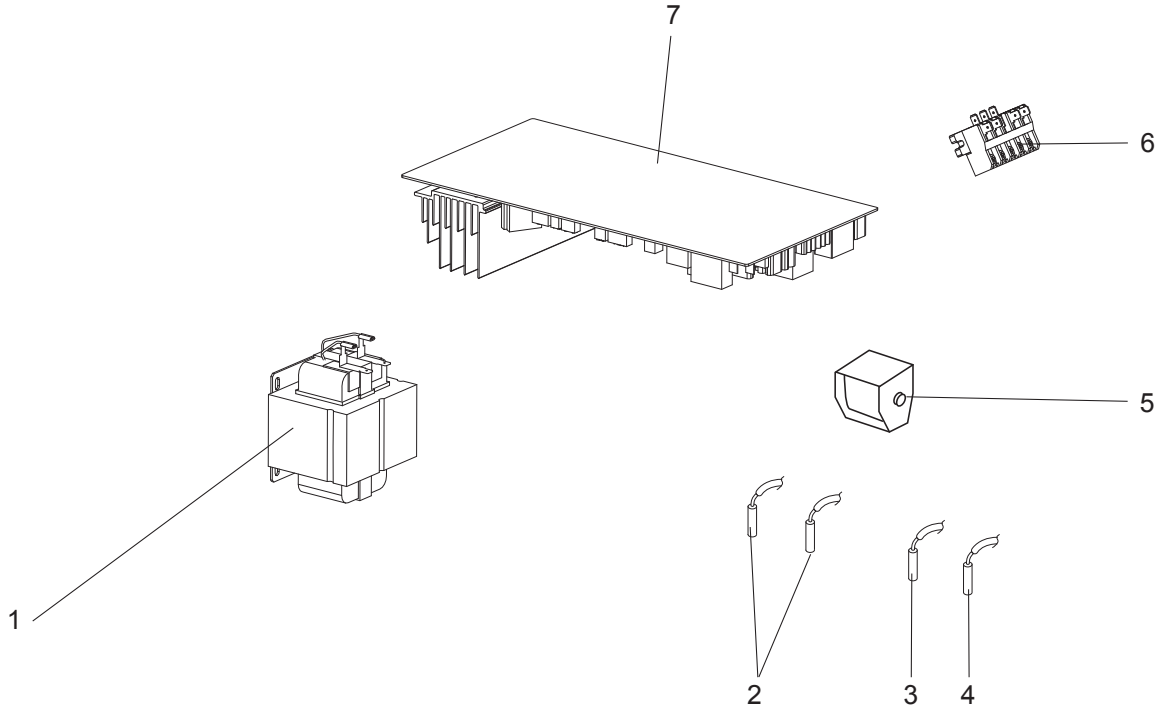
1-1. OUTDOOR UNIT STRUCTURAL PARTS AND FUNCTIONAL PARTS

Part number that is circled is not shown in the illustration.

No.	Parts No.	Parts Name	Symbol in Wiring Diagram	U1	U2	U1	U2	U1	U2	Remarks
				MUZ-WR09NA-	MUZ-WR09NA-	MUZ-WR12NA-	MUZ-WR12NA-	MUZ-WR18NA-	MUZ-WR18NA-	
1	U01 A01 232	CABINET		1	1	1	1	1	1	
2	U01 A01 531	ICE GUARD		1	1	1	1	1	1	
3	U01 A01 521	GRILLE		1	1	1	1	1	1	
4	U01 M01 987	LOGO LABEL (MITSUBISHI)		1	1	1	1	1	1	
5	U01 A01 501	PROPELLER FAN		1	1	1	1	1	1	
6	U01 A02 290	BASE		1	1	1	1	1	1	
7	U01 A03 900	COMPRESSOR	MC	1		1				KNB073FRVMC
7	U01 A07 900	COMPRESSOR	MC		1		1			KNB073FRXMC
7	U01 A04 900	COMPRESSOR	MC					1	1	SNB130FQBMT
8	U01 A01 506	COMP. RUBBER SET		3	3	3	3	3	3	3RUBBERS/SET
9	U01 A01 661	STOP VALVE (GAS)		1	1	1	1			ø3/8 (ø9.52)
9	U01 A02 661	STOP VALVE (GAS)						1	1	ø1/2 (ø12.7)
10	U01 A01 662	STOP VALVE (LIQUID)		1	1	1	1	1	1	ø1/4 (ø6.35)
11	U01 A01 245	SERVICE PANEL		1	1	1	1	1	1	
12	U01 A01 233	BACK PANEL		1	1	1	1	1	1	
13	U01 A01 640	EXPANSION VALVE		1		1		1		
13	U01 001 401	EXPANSION VALVE			1		1		1	
14	U01 A01 493	EXPANSION VALVE COIL	LEV	1	1	1	1	1	1	
15	U01 A03 079	THERMO HOLDER		1	1	1	1			
15	U01 A02 079	THERMO HOLDER						1	1	
16	U01 A03 961	4-WAY VALVE		1		1				
16	U01 A04 961	4-WAY VALVE			1		1			
16	U01 A01 961	4-WAY VALVE						1	1	
17	U01 A01 641	SERVICE PORT (L)		1	1	1	1	1	1	1PC/SET
18	U01 A02 641	SERVICE PORT (H)		1	1	1	1	1	1	
19	U01 A02 525	CONDENSER WIRE NET		1	1	1	1			
19	U01 A01 525	CONDENSER WIRE NET						1	1	
20	U01 A03 525	CONDENSER NET		1	1	1	1			
20	U01 A01 523	CONDENSER NET						1	1	
21	U01 A03 293	SEPARATOR		1		1				
21	U01 A06 293	SEPARATOR			1		1			
21	U01 A02 293	SEPARATOR						1		
21	U01 A08 293	SEPARATOR							1	
22	U01 A02 515	MOTOR SUPPORT		1	1	1	1			
22	U01 A01 515	MOTOR SUPPORT						1	1	
23	U01 A01 297	TOP PANEL		1	1	1	1	1	1	
24	U01 A02 630	OUTDOOR HEAT EXCHANGER		1		1				1 row
24	U01 A06 630	OUTDOOR HEAT EXCHANGER			1		1			1 row
24	U01 A01 630	OUTDOOR HEAT EXCHANGER						1	1	2 rows
25	U01 A01 301	OUTDOOR FAN MOTOR	MF	1		1		1		RC0J55-□□
25	U01 A03 301	OUTDOOR FAN MOTOR	MF		1		1		1	RC0J55-□□
②⑥	U01 A05 936	CAPILLARY TUBE		1	1	1	1			O.D. 0.118 × I.D. 0.055 × 10-1/4 (ø3.0 × ø1.4 × 260)
②⑥	U01 A01 936	CAPILLARY TUBE						4	4	O.D. 0.118 × I.D. 0.079 × 8-9/32 (ø3.0 × ø2.0 × 210)
②⑥	U01 A02 936	CAPILLARY TUBE						1	1	O.D. 0.157 × I.D. 0.094 × 9-7/16 (ø4.0 × ø2.4 × 240)

MUZ-WR09NA- U1 , U2 MUZ-WR12NA- U1 , U2 MUZ-WR18NA- U1 , U2

1-2. OUTDOOR UNIT ELECTRICAL PARTS



1-2. OUTDOOR UNIT ELECTRICAL PARTS

No.	Part No.	Part name	Symbol in Wiring Diagram	U1	U2	U1	U2	U1	U2	Remarks
				MUZ-WR09NA	MUZ-WR09NA	MUZ-WR12NA	MUZ-WR12NA	MUZ-WR18NA	MUZ-WR18NA	
1	U01 A02 337	REACTOR	L61	1	1	1	1			
1	U01 A01 337	REACTOR	L61					1	1	
2	U01 A01 306	THERMISTOR SET	RT61, RT62	1	1	1	1	1	1	DEFROST, DISCHARGE
3	U01 A03 308	AMBIENT TEMPERATURE THERMISTOR	RT65	1	1	1	1	1	1	
4	U01 A02 307	OUTDOOR HEAT EXCHANGER TEMPERATURE THERMISTOR	RT68	1		1		1	1	
4	U01 A05 307	OUTDOOR HEAT EXCHANGER TEMPERATURE THERMISTOR	RT68		1		1			
5	U01 A01 490	R.V. COIL	21S4	1		1		1	1	
5	U01 A03 490	R.V. COIL	21S4		1		1			
6	U01 A01 374	TERMINAL BLOCK	TB	1	1	1	1	1	1	5P
7	U01 A23 451	INVERTER P.C. BOARD		1						Includes heat sink and RT64
7	U01 A36 451	INVERTER P.C. BOARD			1					Includes heat sink and RT64
7	U01 A24 451	INVERTER P.C. BOARD				1				Includes heat sink and RT64
7	U01 A37 451	INVERTER P.C. BOARD					1			Includes heat sink and RT64
7	U01 A17 451	INVERTER P.C. BOARD						1		Includes heat sink and RT64
7	U01 A39 451	INVERTER P.C. BOARD							1	Includes heat sink and RT64

1-3. OUTDOOR UNIT STRUCTURAL PARTS, ELECTRICAL PARTS AND FUNCTIONAL PARTS

Part numbers that are circled are not shown in the illustration.

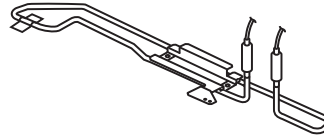
No.	Parts No.	Parts Name	Symbol in Wiring Diagram	MUZ-WR24NA- UT	Remarks
1	E22 L87 297	TOP PANEL		1	
2	E22 N94 630	OUTDOOR HEAT EXCHANGER		1	
3	E22 N87 301	OUTDOOR FAN MOTOR	MF	1	RC0J77-□□
4	E22 F28 501	PROPELLER FAN		1	
5	E22 817 009	HANDLE		1	
6	E22 N94 232	CABINET		1	
7	E22 L87 521	FAN GUARD		1	Includes ice guard
8	E22 F28 290	BASE		1	
9	E22 C34 506	COMPRESSOR RUBBER SET		3	3 RUBBERS/SET
10	E22 N94 900	COMPRESSOR	MC	1	SNB130FQBMT
11	E22 F76 661	STOP VALVE (GAS)		1	ø5/8 (ø15.88)
12	E22 F29 662	STOP VALVE (LIQUID)		1	ø3/8 (ø9.52)
13	E22 851 640	EXPANSION VALVE		1	
14	E22 F28 493	EXPANSION VALVE COIL	LEV	1	
15	E22 N91 490	R.V. COIL	21S4	1	
16	E22 A56 961	4-WAY VALVE		1	
17	E22 E79 641	SERVICE PORT		2	
18	E22 F28 650	VALVE COVER		1	
19	E22 N94 245	SERVICE PANEL		1	
20	E22 F28 079	THERMO HOLDER		1	
21	E22 G16 309	AMBIENT TEMPERATURE THERMISTOR	RT65	1	
22	E22 G16 308	THERMISTOR SET	RT61, RT62	1	DEFROST, DISCHARGE TEMPERATURE
23	E22 G16 307	OUTDOOR HEAT EXCHANGER TEMPERATURE THERMISTOR	RT68	1	
24	E22 L85 374	TERMINAL BLOCK	TB	1	5 P
25	E22 N94 233	BACK PANEL (OUT)		1	
26	E22 N93 451	INVERTER P.C. BOARD		1	Includes heat sink and RT64
27	E22 N94 337	REACTOR	L61	1	
28	E22 L87 523	CONDENSER NET		1	
29	E22 F28 515	MOTOR SUPPORT		1	
③⑩	E22 262 936	CAPILLARY TUBE		1	O.D. 0.157 × I.D. 0.094 × 7-7/8 (ø4.0 × ø2.4 × 200)
③①	E22 838 936	CAPILLARY TUBE		4	O.D. 0.118 × I.D. 0.079 × 7-7/8 (ø3.0 × ø2.0 × 200)
③②	E22 527 936	CAPILLARY TUBE		1	O.D. 0.157 × I.D. 0.094 × 3-15/16 (ø4.0 × ø2.4 × 100)

2

OPTIONAL PARTS

2-1. DEFROST HEATER

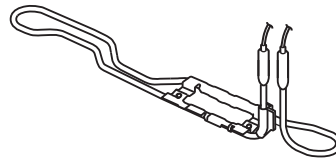
Model	Parts No.
MUZ-WR09NA MUZ-WR12NA MUZ-WR18NA	MAC-640BH-U



Components

① Defrost heater	1	④ Cable tie	1
② Aluminum tape	1	⑤ Self drilling screw	2
③ Heater support	1	⑥ Insulation	1

Model	Parts No.
MUZ-WR24NA	MAC-642BH-U1



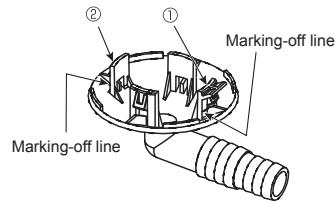
Components

① Defrost heater	1	④ Cable clamp	1
② Heater support	1	⑤ Self drilling screw	2
③ Cable tie	1	⑥ Wiring diagram	1

Note: Refer to the installation manual for the installation.

2-2. DRAIN SOCKET

Model	Parts No.
MUZ-WR09NA MUZ-WR12NA MUZ-WR18NA MUZ-WR24NA	MAC-860DS



Installing a Drain Socket

For $\Phi 1-5/8$ ($\Phi 42$) hole

Put the tab ① in the hole first, and then the tab ②.

MITSUBISHI ELECTRIC CORPORATION

HEAD OFFICE: TOKYO BUILDING, 2-7-3, MARUNOUCHI, CHIYODA-KU, TOKYO 100-8310, JAPAN

© Copyright 2018 MITSUBISHI ELECTRIC CORPORATION
 Issued: Aug. 2019. No. OBB819 REVISED EDITION-A
 Published: Sep. 2018. No. OBB819
 Made in Japan

Specifications are subject to change without notice.