

INSTALLATION INSTRUCTION

Paloma 4023 LED Track Luminaires

WTK-4023, WHK-4023

WAC LIGHTING
Responsible Lighting®

WARNING

IMPORTANT: NEVER attempt any work without shutting off the electricity.

- Read all instructions before installing.
- System is intended for installation by a qualified electrician in accordance with the National Electrical Code and local regulations.
- Go to the main fuse box, or circuit breaker. Place the main power switch in the "OFF" position and unscrew the fuse(s) or switch "OFF" the circuit breaker switch(es) that control the power to the fixture or room that you are working on.
- Place the wall switch in the "OFF" position.

AVERTISSEMENT

IMPORTANT : Coupez l'électricité avant TOUTE manipulation.

- Lisez toutes les instructions avant d'installer.
- Système est destiné à être installé par un électricien qualifié en conformité avec le code national de l'électricité et les règlements locaux.
- Accédez au panneau central de disjoncteurs ou de fusibles de votre demeure et placez l'interrupteur principal en position d'arrêt (« OFF »).
- Placez l'interrupteur mural en position d'arrêt (« OFF »).

Overview:

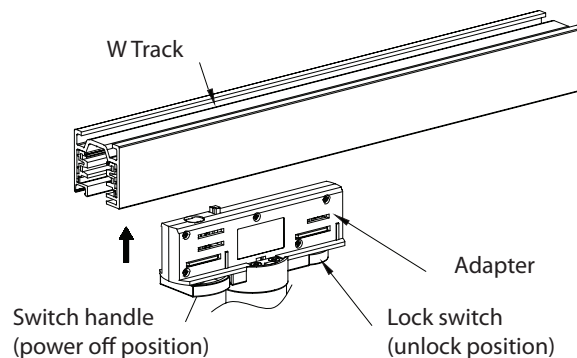
Fixtures are designed for use on WAC Lighting's track systems. They may also be used on other manufacturer's brand of track (consult factory for compatibility).

LED TRACK LUMINAIRE	TRACK SYSTEM
WTK-4023 Series	WTK 120V W Track
WHK-4023 Series	WHK 277V W Track

Installing on Track

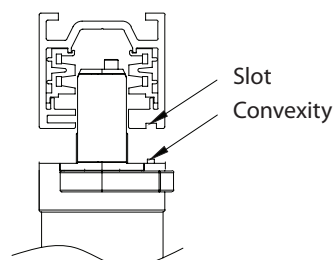
1. Turn the lock switch to the unlock position. Turn the circuit selecting handle to the power off position. (Fig 1)

Fig 1



2. Make sure the convexity on the adaptor box is at the same side with the slot on the track (Fig 2). Fit the adaptor box into the track.

Fig 2



WAC Lighting
www.waclighting.com
Phone (800) 526.2588 • Fax (800) 526.2585

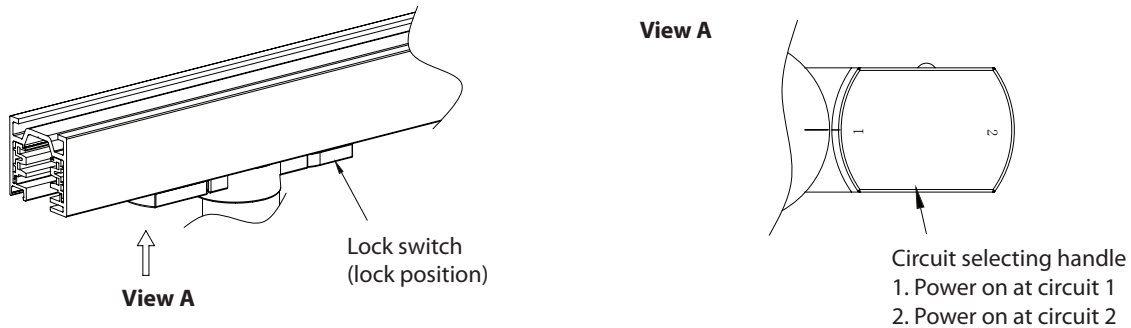
Headquarters/Eastern Distribution Center
44 Harbor Park Drive • Port Washington, NY 11050
Phone (516) 515.5000 • Fax (516) 515.5050

Western Distribution Center
1750 Archibald Ave • Ontario, CA 91761
Phone (800) 526.2588 • Fax (800) 526.2585

Installing on Track (Continue)

3. Turn the lock switch to the lock position. Turn the circuit selecting handle to 1 or 2 to switch the power on.

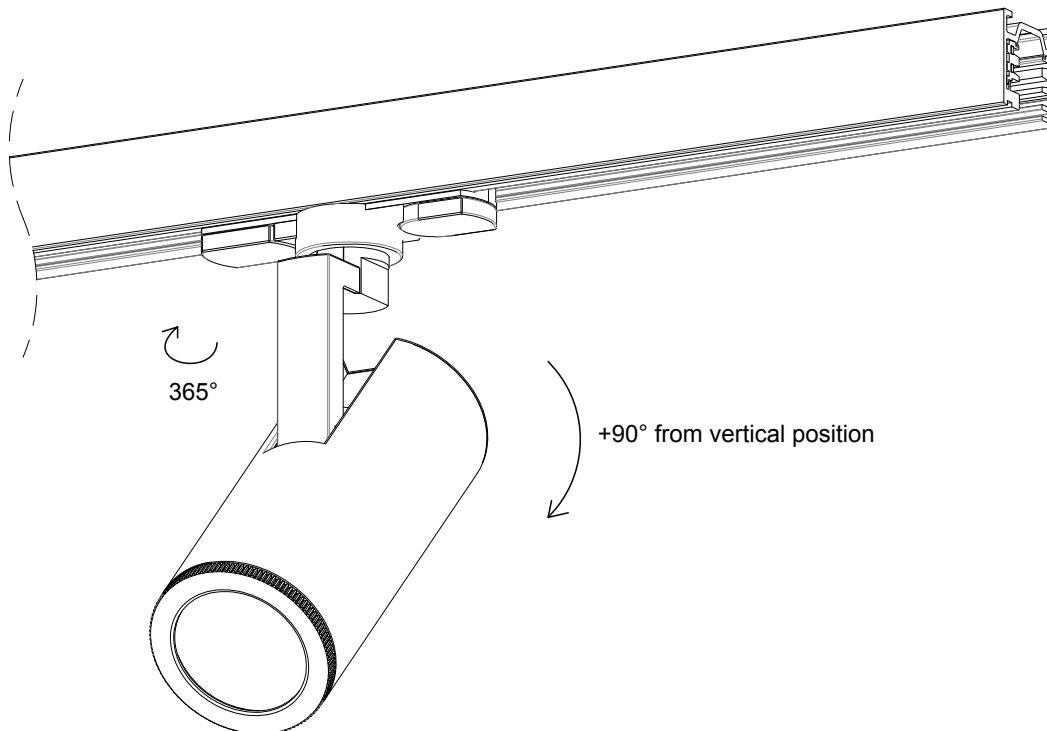
Fig 3



FIXTURE POSITIONING:

4. Rotate the luminaire's body horizontally or vertically to aim it properly.
The fixture can rotate +90° vertically and 365° horizontally.

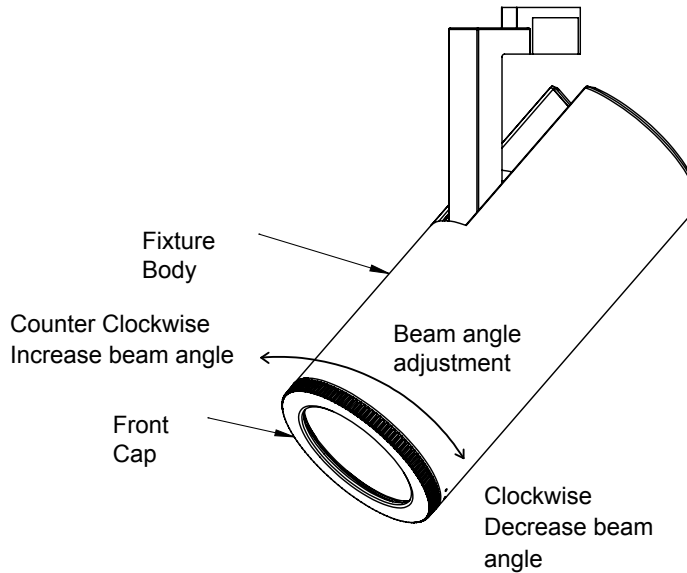
Fig.4



BEAM ANGLE ADJUSTMENT : (Fig.5)

1. Hold fixture body with one hand and front cap with another.
2. Grip the front cap with two fingers and rotate it gently clockwise or counter clockwise until desired beam angle is achieved.
3. Cease rotation when you feel resistance as beam angle is reaching its minimum or maximum

Fig.5



ACCESSORIES:

1. With fixture powered off and front cap facing toward you, rotate the front cap clockwise just passed the position you feel a "click" (**Fig. 6**)
2. Gently, while holding fixture body secure, rock front cap assembly back and forth while pulling it away from fixture body to remove front cap assembly (**Fig. 7**)

Fig.6

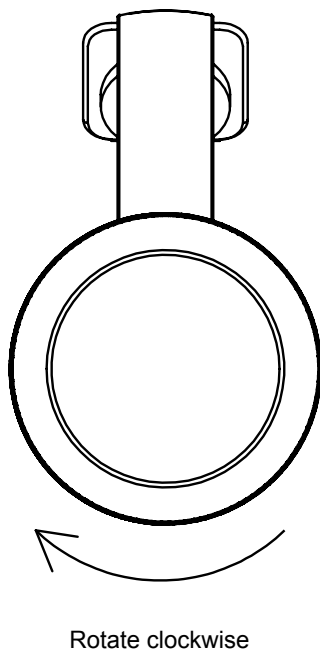
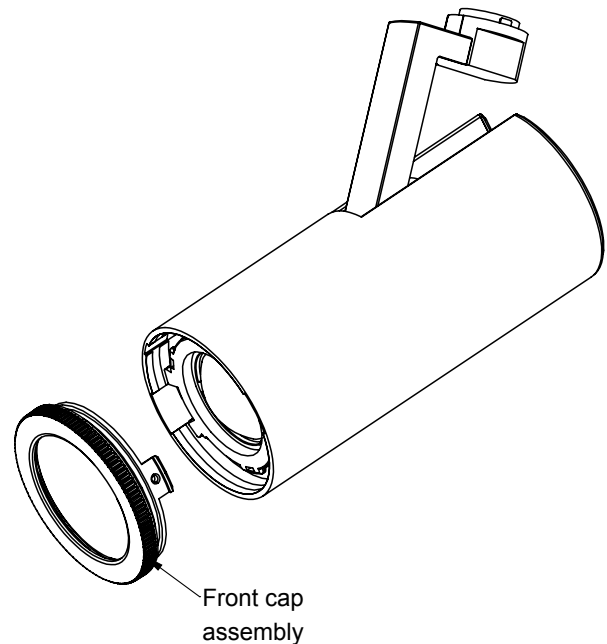


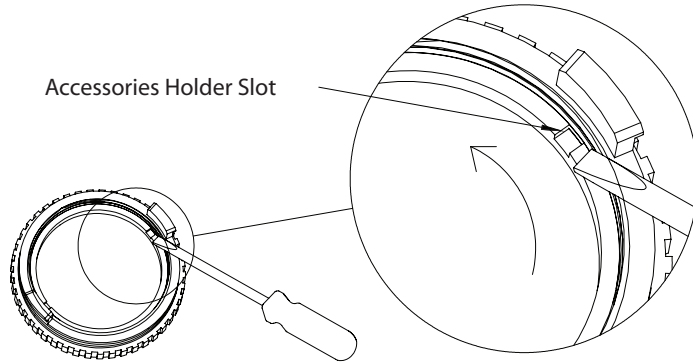
Fig.7



ACCESSORIES:

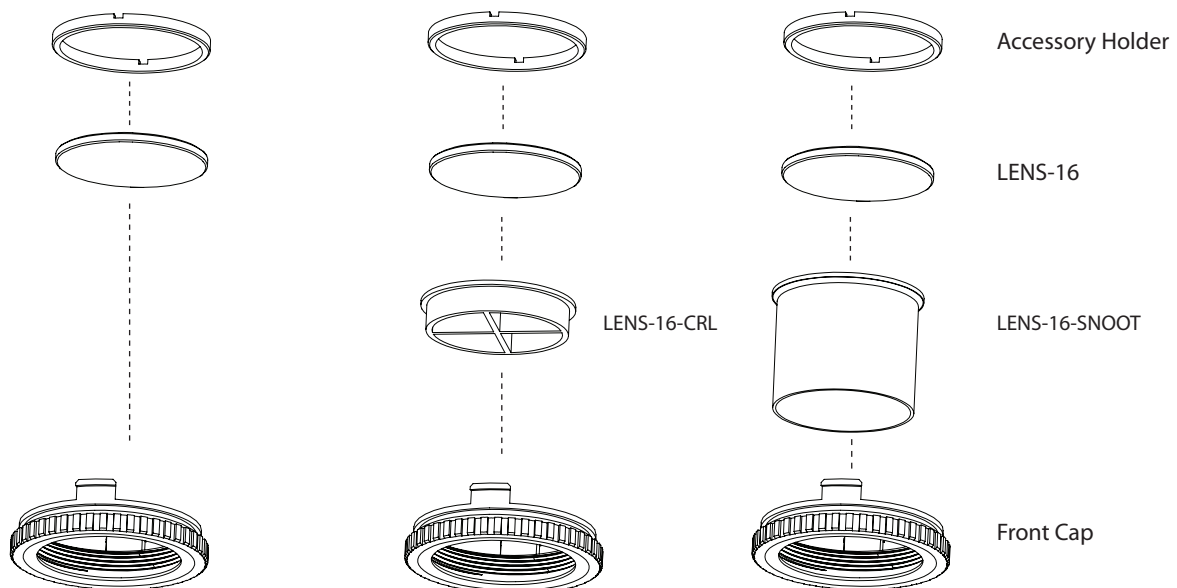
3. Use a flat-tip-screwdriver to remove the accessory holder by rotating it counter clockwise. **(Fig. 8)**

Fig.8



4. Fixture accommodates one lens and one glare control accessory. Refer to spec sheet for list of compatible accessories. Install accessories between the front cap and accessory holder. Tighten accessory holder after accessories are installed. **(Fig.9)**

Fig.9



5. Ensure internal fixture lens is still at the top position, and lens holder slots align with fixture body slots. Align the front cap tabs with the fixture body slots and insert the front cap assembly back into the fixture. Once fully inserted, rotate the front cap assembly counter clockwise passed the “click” and to the desired beam angle. **(Fig. 10)**

Fig.10

