

HIBISCUS

SIMPLE SELECT 2-WAY PRESSURE BALANCE SHOWER VALVE TRIM

SKU: 948974



FEATURES

- Shape: Square
- Features: Pressure-Balanced
- Installation Type: Wall Mount
- Diverter Included: Optional
- Dual Functionality Allows For One or Both Shower Features to Run at a Time
- Optional Rough-in Valve:
 - Pressure Balanced With Integral Stops
 - One-Piece Cartridge Design For Ease of Maintenance
 - Back-to-Back Capability
 - Adjustable Temperature Limit Stop
 - Quick Remove Plaster Guard
 - Easy Mounting Brackets

SIGNATURE HARDWARE Lifetime Warranty

See website for detailed warranty information.

CONTENTS

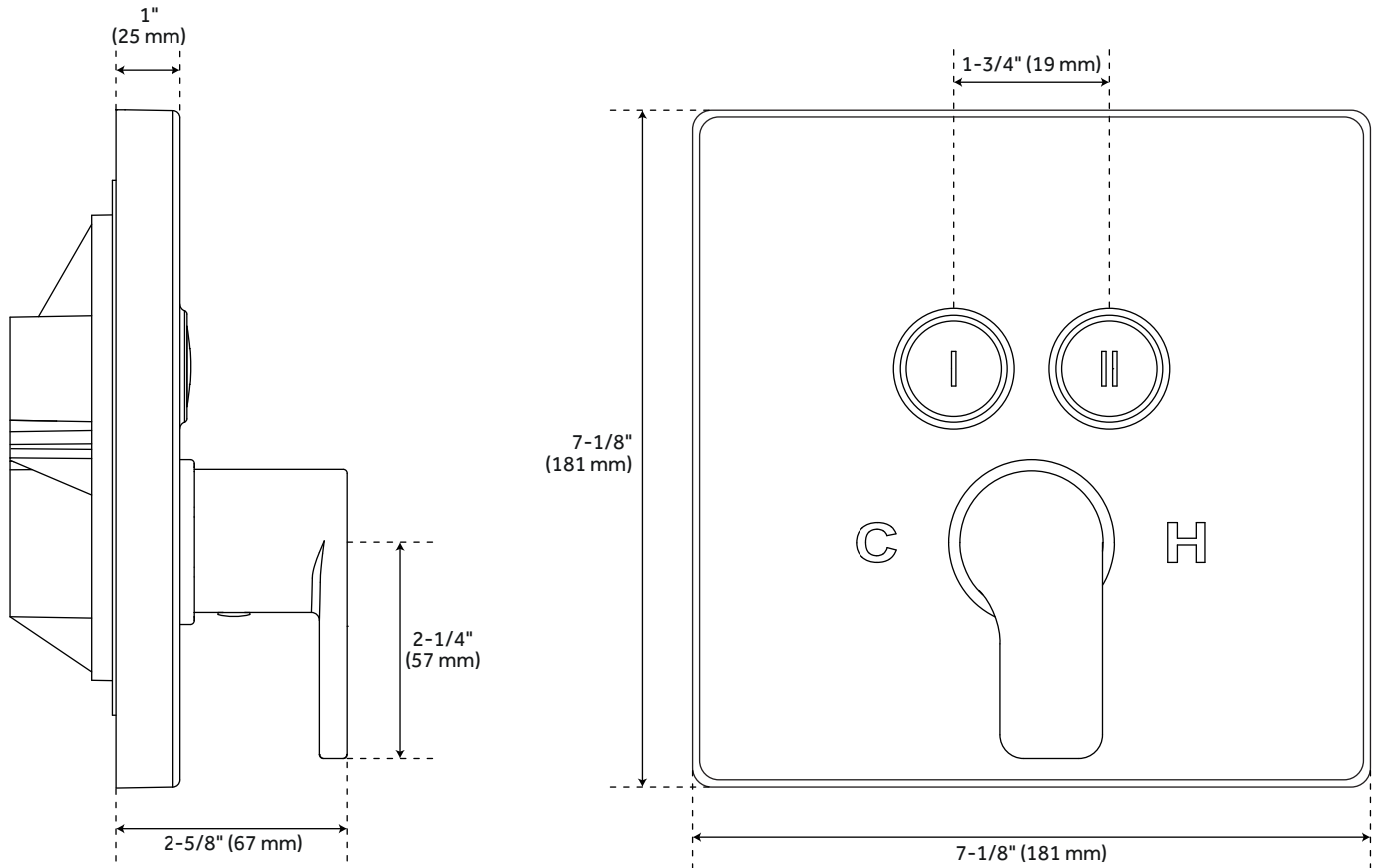
TRIM	PAGE 2
VALVE	PAGE 3

REVISED 01/30/2020

HIBISCUS

SIMPLE SELECT TRIM

SKU: 948974



FEATURES

Material: Brass
Width: 7-1/8"
Height: 7-1/8"
Depth: 2-5/8"
NPT Connection: 1/2"

CODES/STANDARDS

cUPC
ASME A112.18.1/CSA B125.1

SIGNATURE HARDWARE

LIFETIME WARRANTY

See website for warranty information



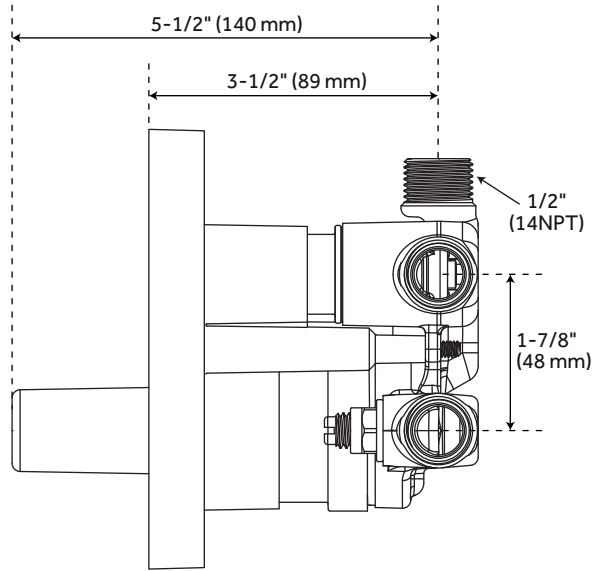
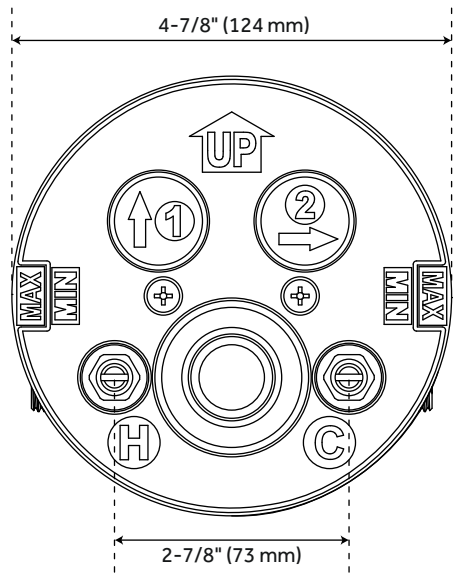
All dimensions and specifications are nominal and may vary. Use actual products for accuracy in critical situations.

PAGE 2
Code: SHHB8040BN
SHHB8040CP/SHHB8040MB

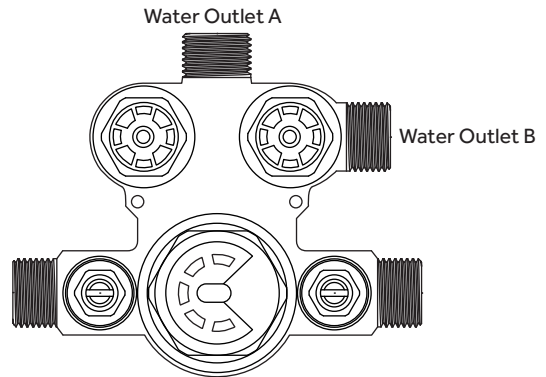
HIBISCUS

SIMPLE SELECT PRESSURE BALANCE ROUGH-IN VALVE

SKU: 948974



Pressure (PSI)		20	40	60	80
Simultaneous (Both Valves Open)	Total (GPM)	3.4	5	6.3	7.4
	Outlet A (GPM)	1.2	2.2	2.9	3.5
	Outlet B (GPM)	2.2	2.8	3.4	3.9
Separate (A or B Closed)	Outlet A (GPM)	2.5	3.9	4.8	5.5
	Outlet B (GPM)	2.5	3.9	4.8	5.5



FEATURES

Material: Bronze
 Length: 4-7/8"
 Width: 4-3/8"
 Depth: 5-1/2"
 NPT Connection: 1/2"

CODES/STANDARDS

cUPC
 ASME A112.18.1/CSA B125.1
 ASSE 1016 Type P

SIGNATURE HARDWARE LIFETIME WARRANTY

See website for warranty information



All dimensions and specifications are nominal and may vary. Use actual products for accuracy in critical situations.

PAGE 3
 Code: SH5001SS