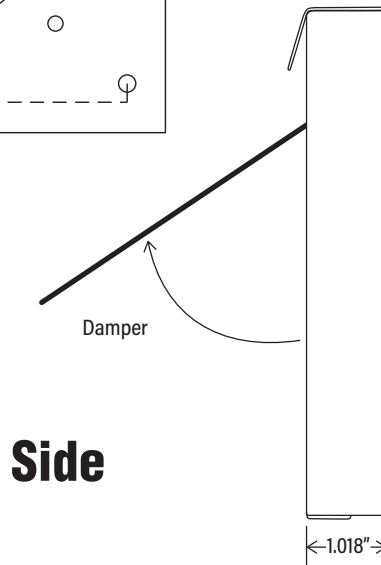
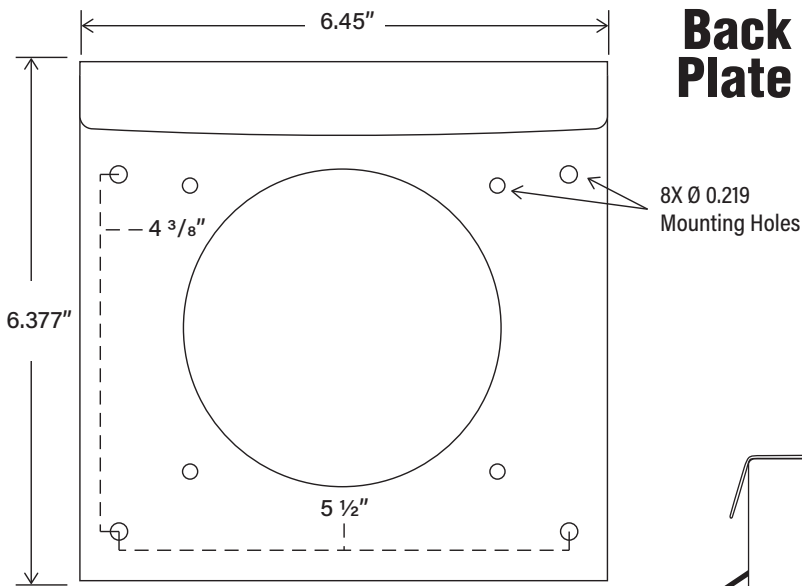
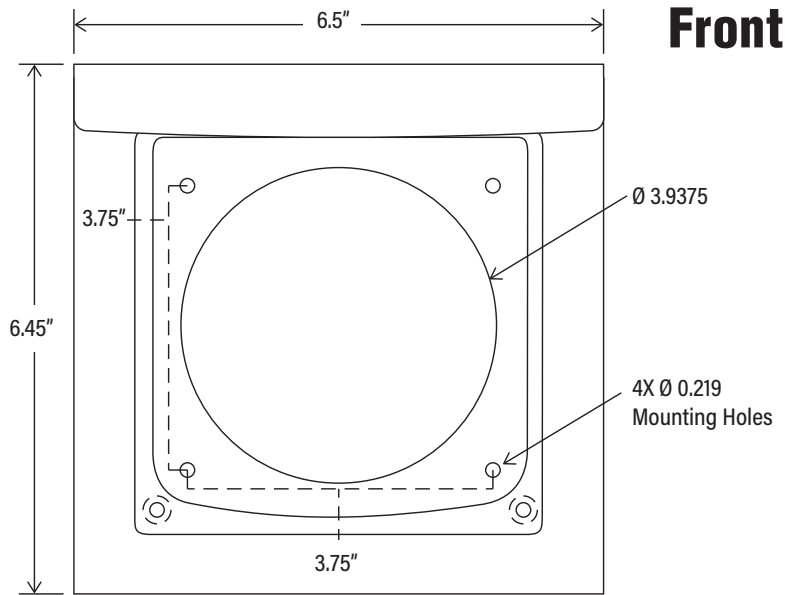




# Technical Product Specifications



Model Number	Color
DWV4W-NC	White
DWV4T-NC	Tan
DWV4B-NC	Brown
DWV4K-NC	Black

**Performance Data**

**Product Use:**

- Venting Dryer Exhaust Systems Through Exterior Walls
- Complies w/ IMC 504.4 & IRC 1502.3

**Materials:**

- Heavy Gauge Galvalume® Steel Housing
- Lighterweight Gauge Galvalume® Damper
- Polyester TGIC Weather Resistant Powder Coating

**General Information**

**Benefits:**

- Improves Aesthetics with Flush Installation
- Installs Easily in New and Existing Construction
- Simplifies Duct Cleaning with Easy Accessibility
- Deters Bird and Rodent Entry
- Maximizes Airflow Efficiency
- Helps Minimize Dryer Cycle Times
- Extra Protection Against the Elements

**Features:**

- Deep Drawn Manufacturing Process
- Galvalume® & Powder Coated Steel Construction
- Lightweight Damper and Heavier Frame
- Recessed Gravity Damper & Integrated Magnets
- Integrated Secondary Back Plate with Wider Mounting Holes
- Built-in Drip Edge
- Damper Opens Freely to 110°
- Low Strength Closure Magnets
- Rubber Bumpers Support Quiet Closing Damper
- Eight Built-in Mounting Holes
- Stocked in 4 Colors: White, Tan, Brown and Black**

**Manufactured By**

InOvate Technologies, Inc.  
 250 S. Central Blvd. Suite 207  
 Jupiter, FL 33458  
 Phone: (561) 744-0473  
 Fax: (561) 745-9723  
<https://dryerwallvent.com>