

32" ORTEGA

LOW-DIVIDE DOUBLE-BOWL STAINLESS STEEL UNDERMOUNT SINK

SKU: 948565



FEATURES

- Material: Stainless Steel
- Basin Split: 50/50
- Shape: Rectangle
- Sink Installation: Undermount
- Faucet Centers: No Faucet Hole
- Number of Basins: 2
- Product Color: Stainless Steel
- Metal Gauge/Thickness: 16 Gauge
- Faucet Included: No
- Faucet Holes: No Faucet Hole
- Drain Included: Optional
- Exterior Treatment: Smooth
- Interior Treatment: Smooth
- It is Recommended to Have the Sink at the Job Site Before Cutting Cabinet or Counter Top
- Features a Low Center Divide for Maneuvering Large Pots and Pans
- Sound Absorption Pads on the Underside of Sink
- Has an Undercoating to Prevent Condensation Buildup

CONTENTS

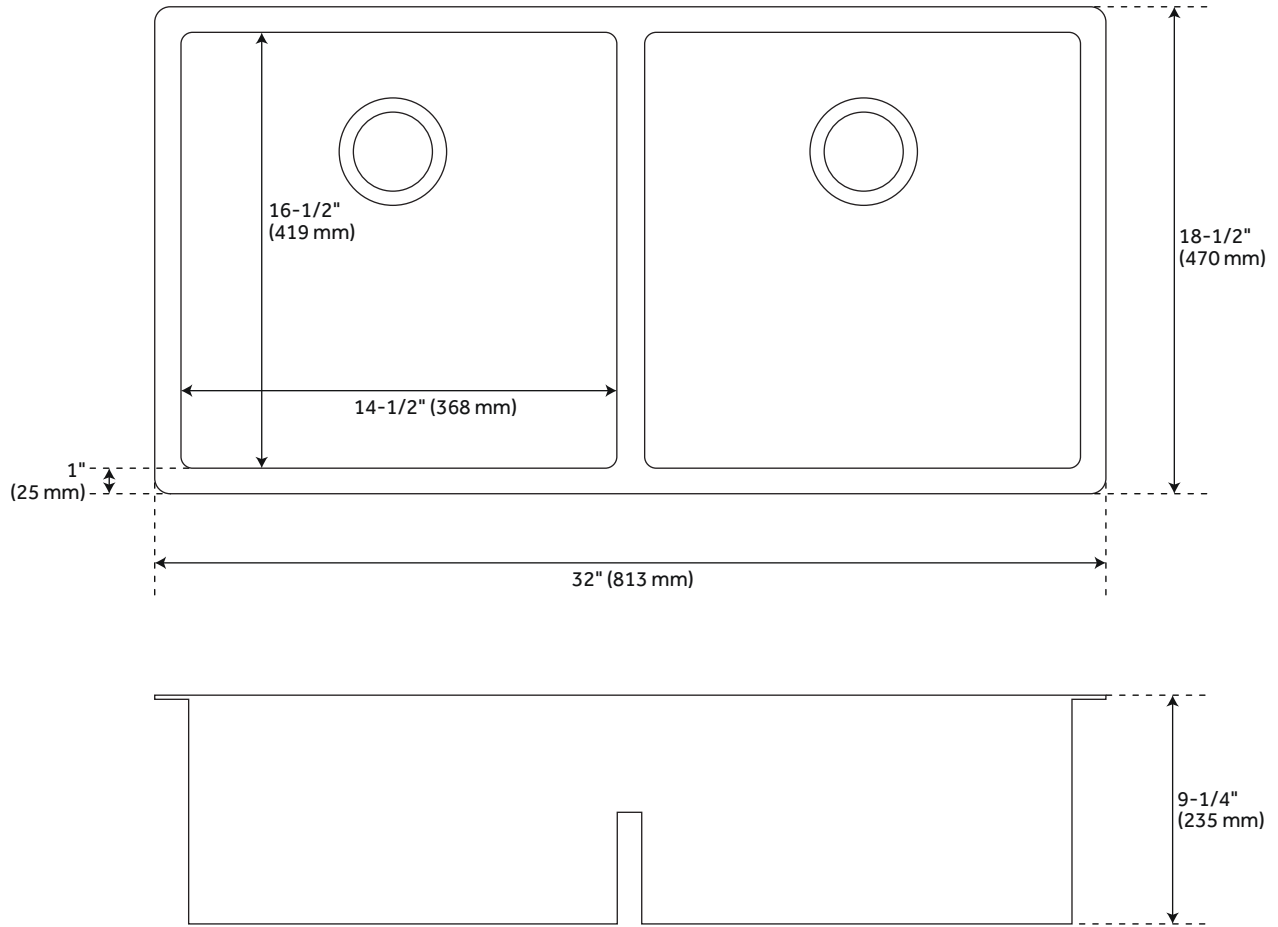
| | |
|-----------------------|--------|
| UNDERMOUNT SINK | PAGE 2 |
| OPTIONAL GRID | PAGE 3 |

REVISED 11/16/2020

32" ORTEGA

LOW-DIVIDE DOUBLE-BOWL STAINLESS STEEL UNDERMOUNT SINK

SKU: 948565



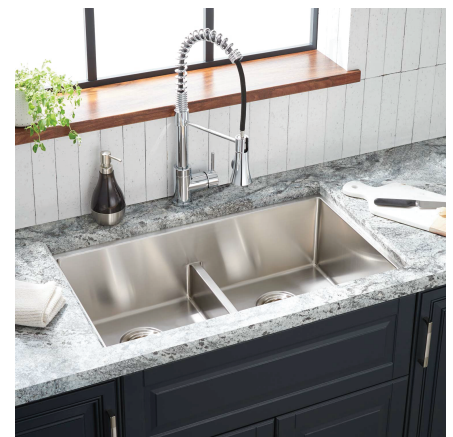
FEATURES

Length: 32"
Width: 18-1/2"
Height: 9-1/4"
Basin Length: 14-1/2"
Basin Width: 16-1/2"
Water Depth to Rim: 9"
Rim Thickness: 1"

CODES/STANDARDS

cUPC
ASME A112.19.3/CSA B45.4
Massachusetts Accepted

PRODUCT IMAGE



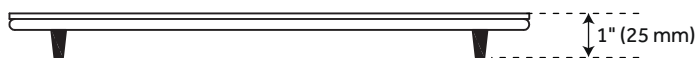
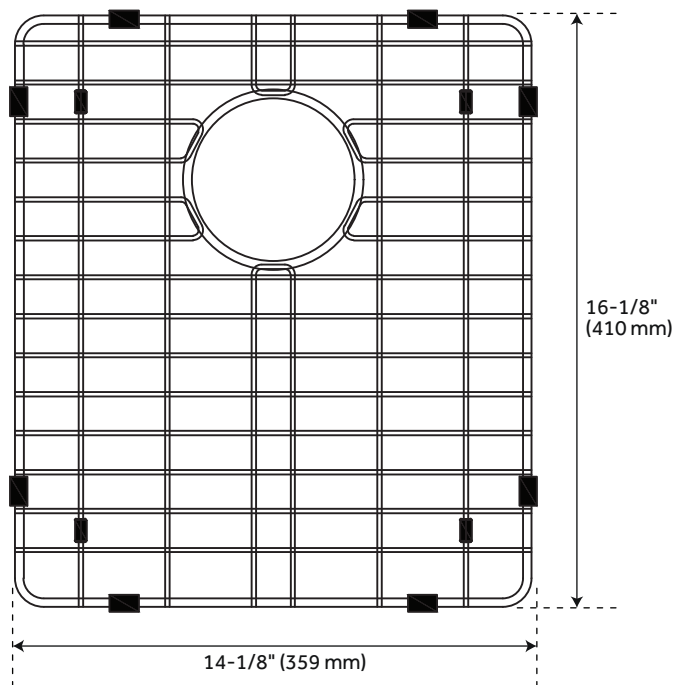
All dimensions and specifications are nominal and may vary. Use actual products for accuracy in critical situations.

PAGE 2
Code: SHORURB3218E

ORTEGA

SECONDARY PRODUCT NAME

SKU: 951159



FEATURES

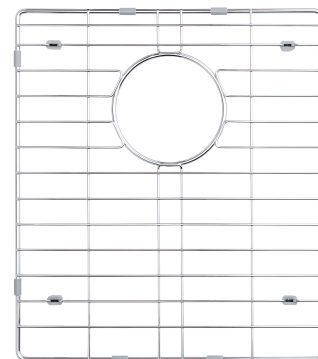
Material: Stainless Steel

Length: 16-1/8"

Width: 14-1/8"

Height: 1"

PRODUCT IMAGE



All dimensions and specifications are nominal and may vary. Use actual products for accuracy in critical situations.

PAGE 3
Code: SH1416