

SPECIFICATIONS

FIGURE 7010NZ HANGER



NFPA ADJUSTABLE SWIVEL RING HANGER

FEATURES

- Size range: 1/2" – 8"
- Material: Carbon steel
- Finish: Plated
- Color: Zinc
- UL approved: Sizes 1/2" – 8"
- FM approved: Sizes 3/4" – 8"
- Hanger body: Pre-galvanized carbon steel ASTM A653
- Good for plastic and steel pipe



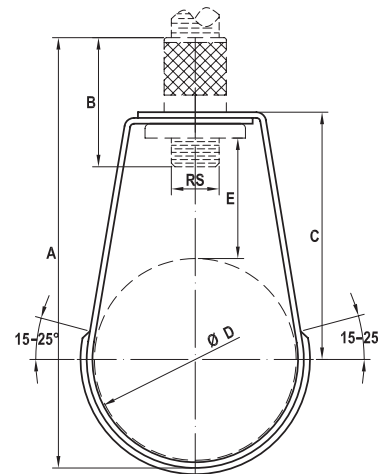
PRODUCT SPECIFICATIONS

Services

- 1/2" – 4" hangers have flared edges for ease of installation on all pipe types and protect plastic pipe from abrasion
- Manufactured to use the minimum rod size permitted by NFPA for fire sprinkler pipeline

Approvals

- Federal specifications: A-A-1192A (Type 10) WW-H-171-E (Type 10) and MSS-SP-69 (Type 10)
- FM approved (except 1/2") and UL/ULC listed



ACCESSORIES

FNW701XRNC	3/8" REPLACEMENT RIVET NUT
FNW701XRND	1/2" REPLACEMENT RIVET NUT
FNW701XRNE	5/8" REPLACEMENT RIVET NUT

REFERENCE CHART

Item #	Pipe Size		RS (rod size)		A		B		C		D		E		Bandwidth x Thickness		Weight		Max Static Load	
	in.	mm	in.	mm	in.	mm	in.	mm	in.	mm	in.	mm	in.	mm	in.	mm	lbs	kg	lbs	N
FNW7010NZ0050	1/2	DN15	3/8	M10	2.80	71	0.98	25	169	43	0.87–0.91	22–23	1.06	27	0.63x.047	16.0x1.20	0.09	0.04	300	1334
FNW7010NZ0075	3/4	DN20	3/8	M10	3.03	77	0.98	25	177	45	1.10–1.14	28–29	1.06	27	0.63x.047	16.0x1.20	0.09	0.04	300	1334
FNW7010NZ0100	1	DN25	3/8	M10	3.27	83	0.98	25	193	49	1.34–1.38	34–35	1.06	27	0.63x.047	16.0x1.20	0.1	0.05	300	1334
FNW7010NZ0125	1-1/4	DN32	3/8	M10	3.62	92	0.98	25	2.09	53	1.69–1.73	43–44	1.06	27	0.63x.047	16.0x1.20	0.1	0.05	300	1334
FNW7010NZ0150	1-1/2	DN40	3/8	M10	3.86	98	0.98	25	1.81	46	1.93–2.01	49–51	1.06	27	0.63x.047	16.0x1.20	0.11	0.05	300	1334
FNW7010NZ0200	2	DN50	3/8	M10	4.33	110	0.98	25	2.40	61	2.40–2.48	61–63	1.06	27	0.63x.047	16.0x1.20	0.12	0.06	300	1334
FNW7010NZ0250	2-1/2	DN65	3/8	M10	6.30	160	1.06	27	4.17	106	3.03–3.07	77–78	2.52	64	0.79x.079	20.0x2.00	0.27	0.12	525	2334
FNW7010NZ0300	3	DN80	3/8	M10	6.34	161	1.06	27	3.94	100	3.54–3.62	90–92	1.93	49	0.79x.079	20.0x2.00	0.32	0.14	525	2334
FNW7010NZ0350	3-1/2	DN90	3/8	M10	6.69	170	1.06	27	4.21	107	4.02–4.13	102–105	1.93	49	0.79x.079	20.0x2.00	0.33	0.15	585	2600
FNW7010NZ0400	4	DN100	3/8	M10	7.36	187	1.06	27	4.45	113	4.57–4.69	116–119	1.93	49	0.79x.079	20.0x2.00	0.38	0.17	650	2890
FNW7010NZ0500	5	DN125	1/2	M12	8.98	228	1.30	33	5.35	136	5.63–5.75	143–146	2.24	57	0.79x.098	20.0x2.50	0.56	0.25	1000	4445
FNW7010NZ0600	6	DN150	1/2	M12	11.10	282	1.30	33	6.97	177	6.69–6.81	170–173	3.31	84	0.79x.098	20.0x2.50	0.67	0.31	1000	4445
FNW7010NZ0800	8	DN200	1/2	M12	12.68	322	1.30	33	7.52	191	8.70–8.82	221–224	2.87	73	0.79x.098	20.0x2.50	0.78	0.35	1000	4445