

31 075

LADYLUX® L2

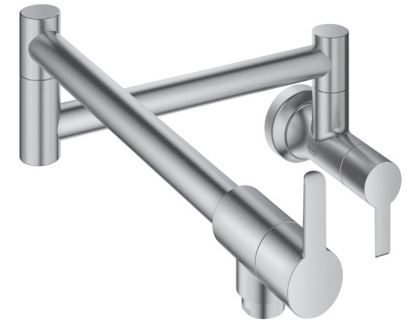
2-HANDLE WALL MOUNT POT FILLER

Pure Freude
an Wasser





STANDARD SPECIFICATION:

- GROHE StarLight®
- GROHE SilkMove®
- Maximum 24 7/16" reach capability to cook tops
- Wall and spout shut-off valves
- Cold water only
- Coordinated Ladylux design
- ≥ 3.9gpm



PRODUCT FEATURES:

-  GROHE SilkMove®
-  GROHE StarLight®

CERTIFICATIONS:



- ADA
- Low Lead Certified
- CALGreen Compliant
- Massachusetts Plumbing Board Approved
- Energy Policy Act of 1992
- NSF 61
- CSA B125.1
- ASME A112.18.1
- Complies with lead plumbing laws

AVAILABLE FINISHES:

- 31075DC2**  SuperSteel
InfinityFinish™

NOTE: Install this product according to the installation guide. ADA, CSA compliant when installed to the specific requirements of these regulations.

Tel: 1.630.582.7711 Fax: 1.630.582.7722
We reserve the right to make revisions without notice to product specifications.
For the most current Specification Sheet, go to www.grohe.us.
06-21-2021

PART OF **LIXIL**

31 075

LADYLUX® L2

2-HANDLE WALL MOUNT POT FILLER

Pure Freude
an Wasser



TECHNICAL DATA:

| | |
|------------------------------|-------------------|
| Product Height | 5-1/2 in |
| Product Length | 23 in |
| Product Width | 2-3/8 in |
| Fitting Spout Reach | 24-3/8 in |
| GPM (Min)-GPM (Max) | 1.75 gal (US)/min |
| Fitting No of Holes Required | 1 |

