



20.0 Cu. Ft. Top Freezer Refrigerator

Top Freezer Refrigerator

Available Products: FFHT2045VB, FFHT2045VD, FFHT2045VS, FFHT2045VW

Available Colors: Black, Black Stainless Steel, Stainless Steel, White

Version: 09/23

Product Specifications

Refrigerator

| | |
|----------------------------------|-----------|
| Air Filter Ready | Yes |
| Crisper Color | Clear |
| Deli Drawer | Yes |
| Door Bin Color | Clear |
| Humidity Controls | Automatic |
| Interior Lighting | LED |
| Shelf Material | Glass |
| Number of Fixed Gallon Door Bins | 3 |
| Number of Adjustable Shelves | 2 |
| Number of Crispers | 2 |

Ice Maker

| | |
|-----------------|-----|
| Ice Maker | No |
| Ice Maker Ready | Yes |

Exterior

| | |
|------------|------------|
| Door Swing | Reversible |
|------------|------------|

Electrical Specifications

| | |
|--------------------------|---------|
| Minimum Circuit Required | 15 Amps |
|--------------------------|---------|

Certifications and Approvals

| | |
|---------------|-----|
| ADA Compliant | Yes |
|---------------|-----|

Safety Certifications and Approvals

| | |
|-----------|-----|
| UL Listed | Yes |
|-----------|-----|

Freezer

| | |
|------------------------------|-------|
| Automatic Defrost | Yes |
| Baskets / Bins Color | Clear |
| Shelf Material | Glass |
| Number of Fixed Door Bins | 2 |
| Number of Adjustable Shelves | 1 |

Controls

| | |
|-----------------|----|
| Digital Display | No |
|-----------------|----|

Dimensions and Volume

| | |
|----------------------------|--------------|
| Height With Hinge | 66 3/8" |
| Height Without Hinge | 65 7/8" |
| Width | 30" |
| Width of Cabinet | 30" |
| Depth of Cabinet | 28 1/4" |
| Depth With Door | 32" |
| Depth With Door 90° Open | 58 5/8" |
| Depth With Door and Handle | 32" |
| Freezer Capacity | 5.4 Cu. Ft. |
| Fresh Food Capacity | 14.6 Cu. Ft. |
| Total Capacity | 20 Cu. Ft. |

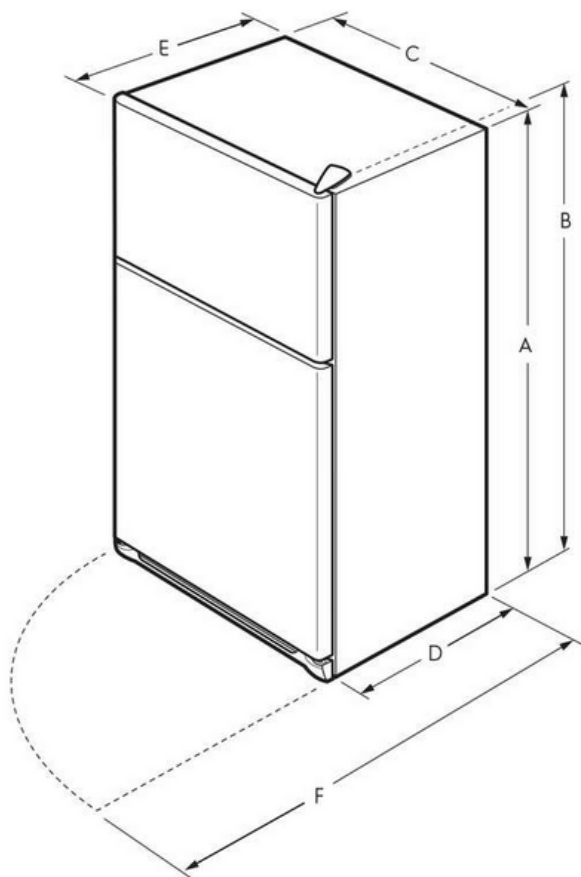
General Specifications

| | |
|------------------|---------|
| Annual Energy | 385 kWh |
| Refrigerant Type | R-600A |
| Warranty - Labor | 1 Year |
| Warranty - Parts | 1 Year |

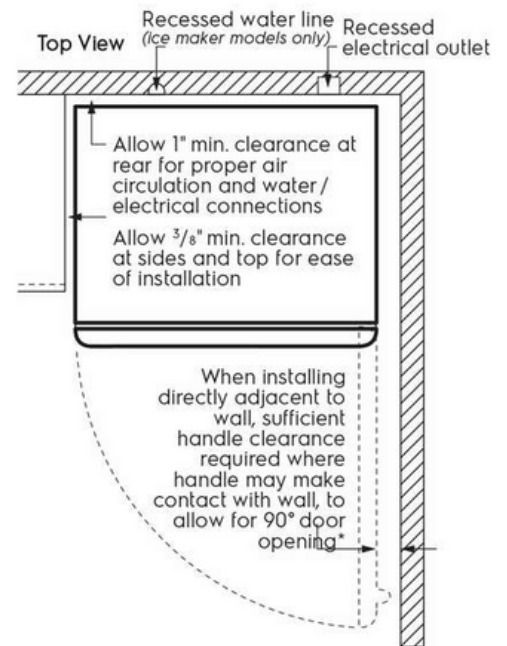
Performance Certifications and Approvals

| | |
|-----------------------|-----|
| ENERGY STAR Certified | Yes |
|-----------------------|-----|

Installation Diagram



| | |
|---|----------------------------------|
| A | 65 ⁷ / ₈ " |
| B | 66 ³ / ₈ " |
| C | 30" |
| D | 28 ¹ / ₂ " |
| E | 32" |
| F | 58 ⁵ / ₈ " |



* When installing refrigerator adjacent to wall, cabinet or other appliance that extends beyond front edge of unit, 20" minimum clearance recommended to allow for optimum 140° door swing, providing complete crisper access and removal. (Absolute 3" minimum clearance will ONLY allow for 90° door swing which will provide limited crisper access with restricted removal.)