



M-SERIES

Air Conditioners

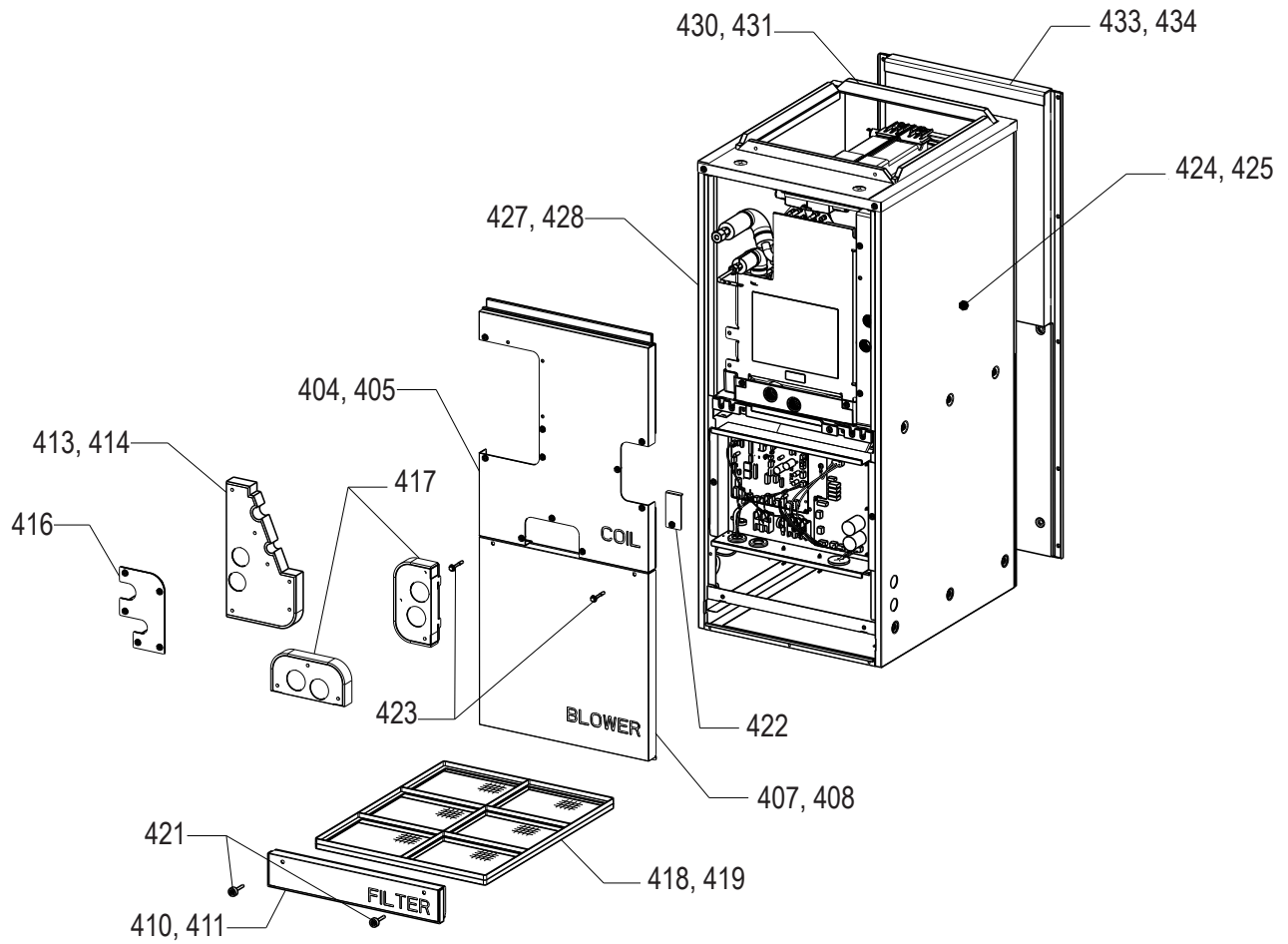
SVZ-KP12, 18, 24, 30, 36 NA

SERVICE PARTS MANUAL

Table of Contents

1. EXTERNAL PARTS	5
2. HEX ASSEMBLY PARTS	7
3. BLOWER PARTS	9
4. CONTROL BOX PARTS	10

1. EXTERNAL PARTS



SVZ-KP12,18, 24, 30, 36 NA

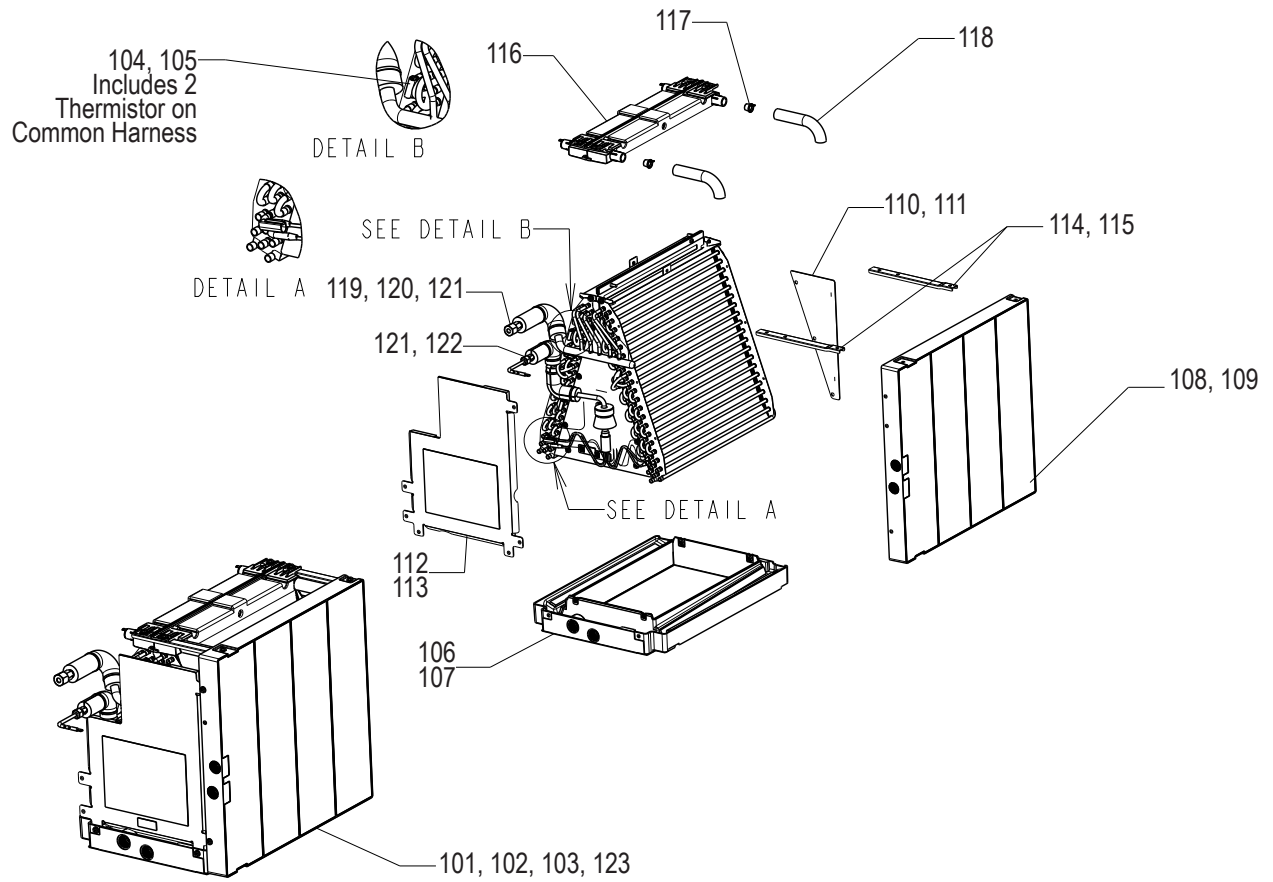
External Parts

No.	Part No.	Part Name	Spec.	SVZ-KP12	SVZ-KP18	SVZ-KP24	SVZ-KP30	SVZ-KP36	Dwg. No.	Notes for models	Revision info.
404	U41 004 639	FRONT PANEL HEX S		1	1	1			PA00B224G01	Black Zam	
405	U41 005 639	FRONT PANEL HEX M					1	1	PA00B224G02	Black Zam	
407	U41 004 637	FRONT PANEL BLOWER S		1	1	1			PA00C758G01	Black Zam	
408	U41 005 637	FRONT PANEL BLOWER M					1	1	PA00C758G02	Black Zam	
410	U41 004 636	FRONT PANEL FILTER S		1	1	1			PA00C764G01	Black Zam	
411	U41 005 636	FRONT PANEL FILTER M					1	1	PA00C764G02	Black Zam	
413	U41 006 635	PIPE/DRAIN PANEL S		1	1	1			PA00C236G04	Black Zam	
414	U41 009 635	PIPE/DRAIN PANEL M					1	1	PA00C236G07	Black Zam	
416	U41 007 635	PIPE PANEL		1	1	1	1	1	PA00D164G02	Black Zam	
417	U41 008 635	DRAIN PANEL		2	2	2	2	2	PA00D162G02	Black Zam	
418	U41 004 500	FILTER-PLASTIC S		1	1	1			PA35B051G01	16X20	
419	U41 005 500	FILTER-PLASTIC M					1	1	PA35B052G01	20X20	
421	U41 001 087	PLASTIC THUMBSCREW		2	2	2	2	2	PA12D179H01	M5X35	
422	U41 001 086	COIL BRACKET		1	1	1	2	2	PA00D163G01		
423	U41 002 087	SCREW M5X40		2	2	2	2	2	PA12D255H01		
424	U41 004 642	CABINET RIGHT S		1	1	1			PA00C759G01	Black Zam*	
425	U41 005 642	CABINET RIGHT M					1	1	PA00C759G02	Black Zam*	
427	U41 004 641	CABINET LEFT S		1	1	1			PA00C760G01	Black Zam**	
428	U41 005 641	CABINET LEFT M					1	1	PA00C760G02	Black Zam**	
430	U41 004 643	TOP PANEL S		1	1	1			PA00B223G01	Black Zam	
431	U41 005 643	TOP PANEL M					1	1	PA00B223G02	Black Zam	
433	U41 004 640	CABINET BACK S		1	1	1			PA00C761G01	Black Zam	
434	U41 005 640	CABINET BACK M					1	1	PA00C761G02	Black Zam	

* The electric heater cable is pre-installed in the Cabinet Right panel.

** The thermistor wiring harness is pre-installed in the Cabinet Left panel.

2. HEX ASSEMBLY PARTS

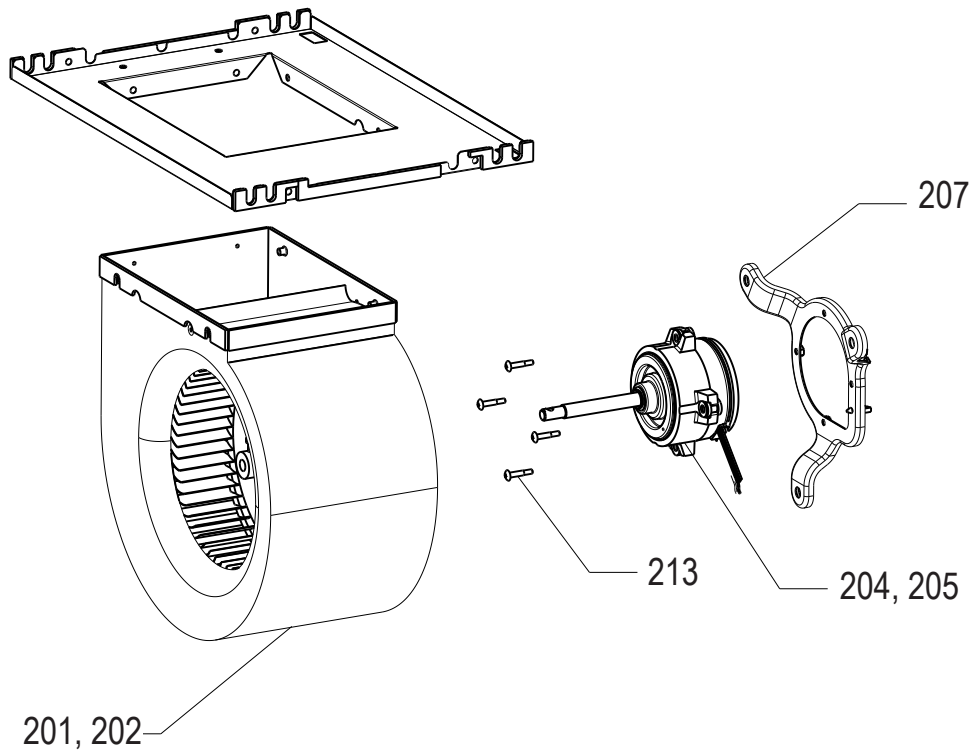


SVZ-KP12,18, 24, 30, 36 NA

Hex Assembly Parts

No.	Part No.	Part Name	Spec.	SVZ-KP12	SVZ-KP18	SVZ-KP24	SVZ-KP30	SVZ-KP36	Dwg. No.	Notes for models	Revision info.
101	U41 026 480	HEAT EXCHANGER KP12		1					PA00B213B01	Includes all hex parts	
102	U41 027 480	HEAT EXCHANGER KP18			1				PA00B213B02	Includes all hex parts	
103	U41 028 480	HEAT EXCHANGER KP24				1			PA00B213B03	Includes all hex parts	
104	U41 006 200	THERMISTOR		1	1	1			PA71C762H01		
105	U41 008 200	THERMISTOR					1	1	PA71C762H02		
106	U41 006 529	DRAIN PAN ASSY LOWER S		1	1	1			PA00B098G01		
107	U41 007 529	DRAIN PAN ASSY LOWER M					1	1	PA00B098G02		
108	U41 009 529	DRAIN PAN ASSY SIDE S		1	1	1			PA00C248G01		
109	U41 010 529	DRAIN PAN ASSY SIDE M					1	1	PA00C248G02		
110	U41 001 668	PLATE GUIDE REAR S		1	1	1			PA02D083H02		
111	U41 002 668	PLATE GUIDE REAR M					1	1	PA02D082H02		
112	U41 004 668	PLATE GUIDE FRONT S		1	1	1			PA00C242G01		
113	U41 005 668	PLATE GUIDE FRONT M					1	1	PA00C242G02		
114	U41 001 662	SIDE PAN BRACKET S		2	2	2			PA02C077H02		
115	U41 002 662	SIDE PAN BRACKET M					2	2	PA02C078H02		
116	U41 012 529	DRAIN PAN ASSY TOP		2	2	2	2	2	PA00C279G01		
117	U41 002 558	PLUG-TOP DRAIN PAN		4	4	4	4	4	PA25C601H01		
118	U41 001 525	HOSE-TOP DRAIN PAN		2	2	2	2	2	PA27D214H02		
119	U41 003 122	NUT FLARE 1/2F			1				BG12S008H02		
120	U41 001 122	NUT FLARE 5/8				1	1	1	BG12S826H03		
121	U41 002 122	NUT FLARE 3/8		1		1	1	1	Z211A143H06		
122	U41 004 122	NUT FLARE 1/4		1	1				Z211A143H01		
123	U41 029 480	HEAT EXCHANGER KP30					1	1	PA00B270B01	Includes all hex parts	

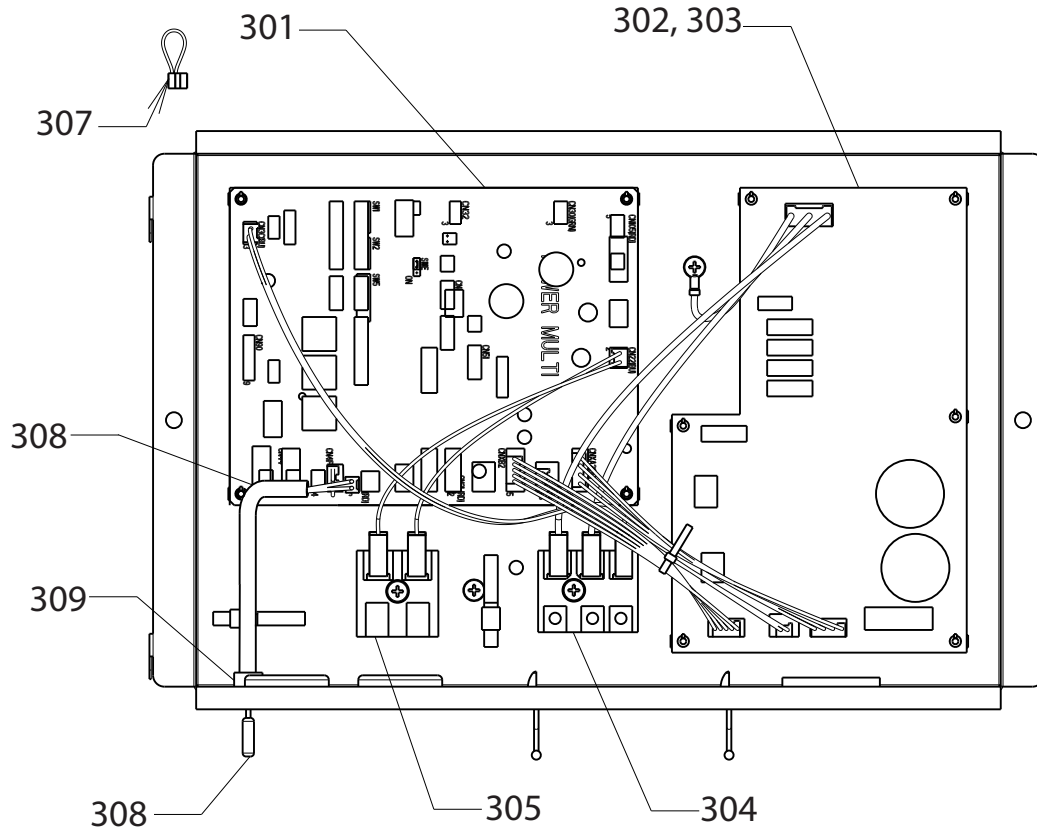
3. BLOWER PARTS



Blower Parts

No.	Part No.	Part Name	Spec.	SVZ-KP12	SVZ-KP18	SVZ-KP24	SVZ-KP30	SVZ-KP36	Dwg. No.	Notes for models	Revision info.
201	U41 005 129	FAN CASE S		1	1	1			PA00C249G01		
202	U41 006 129	FAN CASE M					1	1	PA00C249G02		
204	U41 005 220	BLOWER MOTOR S		1	1	1			PA61B214H01		
205	U41 006 220	BLOWER MOTOR M					1	1	PA61B228H01		
207	U41 001 130	MOTOR BRACKET S M		1	1	1	1	1	PA00D167G02		
213	U41 005 087	BOLT MOTOR (S, M)		4	4	4	4	4	PA12D178H01		

4. CONTROL BOX PARTS



Control Box Parts

No.	Part No.	Part Name	Spec.						Dwg. No.	Notes for models	Revision info.
				SVZ-KP12	SVZ-KP18	SVZ-KP24	SVZ-KP30	SVZ-KP36			
301	U41 008 281	PCA ASSY SVZ		1	1	1	1	1	KE95B741F05	INCLUDES NO.307	
302	U41 005 280	PCA BOARD POWER		1	1	1			KE95B740F04		
303	U41 010 280	PCA BOARD POWER					1	1	KE95B740F05		
304	U41 004 246	TERMINAL BLOCK ASSY		1	1	1	1	1	BH00C267G02		
305	U41 003 246	TERMINAL BLOCK		1	1	1	1	1	BG00R200G62		
307	U41 001 G08	JUMPER CONNECTOR		1	1	1	1	1	BB00M192G08	CN4F	
308	U41 002 200	THERMISTOR-S 250XAP		1	1	1	1	1	RG71J628H01		
309	U41 002 104	BUSHING SRB-R-2		1	1	1	1	1	KB32K138H01		

This product is designed and intended for use in the residential, commercial and light-industrial environment.

Please be sure to put the contact address/telephone number on this manual before handing it to the customer.

MITSUBISHI ELECTRIC US, INC.

www.mitsubishielectric-usa.com

Toll Free: 800-433-4822