

Café™ 30" Slide-In Front Control Gas Convection Range

CGS700P4MW2 / CGS700P3MD1 / CGS700P2MS1

CAFÉ

DISTINCT BY DESIGN™



ALSO AVAILABLE IN



CGS700P2MS1
Stainless Steel with Brushed Stainless handles and knobs



CGS700P4MW2
Matte White with Brushed Bronze handles and knobs



FEATURES & BENEFITS

Expansive six-burner cooktop helps you entertain with ease – Entertaining for large groups is easy with the industry's first six-burner, edge-to-edge cooktop that can accommodate cookware of all sizes and a cast-iron integrated griddle that provides enough room to perfectly flip crab cakes, arepas and other crowd favorites.

Share favorite creations with your favorite people – Create an unforgettable dinner, using a 21K tri-ring burner to do everything from searing scallops to simmering a lemon caper white wine sauce and a 15K Power Boil™ burner to boil water quickly for al dente angel hair pasta.

The perfect bake is now perfectly easy – Achieve unrivaled performance with a system that delivers true convection for consistent results on special occasion favorites like roasts, chicken, turkey and more.

An attractive appearance at all times – Every detail of your kitchen is designed to delight, thanks to a sleek backlit glass touch-control panel that visually disappears when not in use and wakes up when prompted.

Create a look that matches your personal style – Select any combination of premium finishes and hardware options to create a stunning look customized to any owner's taste.

Never-scrub racks – Easily remove everything from heavy roasts to delicate desserts with never-scrub racks that stay in the oven during the self-clean cycle.

Allow your appliances to interact with one another – Create a chef-like experience with Chef Connect, which can synchronize your appliance clocks and surface lights and vent when a range burner is in use, and even your microwave and range clocks.

Prepare foods to perfect doneness – Get roasts and meats just right with a temperature probe that lets you monitor progress without opening the oven door.

WIFI-ENABLED FEATURES

Built-in WiFi, Powered by SmarthQ™ App – Manage all aspects of your kitchen with the help of the SmarthQ™ App or your voice assistant.

Personalized Features + Upgrades – Usher in the latest features by downloading cooking upgrades right to your oven, putting Air Fry and more in your repertoire.

No-Preheat Air Fry – Cook healthier, crispier versions of your favorite foods in less time, thanks to an air fryer right in your oven that doesn't require preheating, a basket or a special tray.

APPEARANCE

Cooktop Burner Grate Color	Matte Black
Oven Door Features	Big Clear View Oven Window Matte Black Frameless Oven Door
Handle	Professional Style Customizable Consumer Removable
Handle Design	Café
Control Knobs	Weighted Stainless Steel Appearance

FEATURES

Configuration	Range with Storage Drawer
Cooking System	True Convection
Cooking Technology	Convection Self-Clean with Steam Clean Option
Oven Cleaning Type	Self-Clean with Steam Clean Option
Burner - Left Front	21,000 BTU Tri-ring Burner
Burner - Left Rear	5,000 BTU Precise Simmer
Burner - Right Front	15,000 BTU
Burner - Right Rear	12,000 BTU
Burner - Center	9,500 BTU Front / 9,500 BTU Rear
Cooktop Burner Type	Sealed
Cooktop Surface	Deep Recessed Porcelain-Enamel Gray
Dishwasher-Safe Knobs	Yes
Control Location	Front controls
Control Type	Backlit Glass Touch
Valves (Degree of Turn)	270
WiFi Enabled Features	No-Preheat Air Fry Remote Control Remote Notifications Scan-to-Cook (Oven) Timers (App) Clock Sync Voice Assistants (Google and Alexa)
Oven Control Features	Audible Preheat Signal Automatic Oven Timer (Time Bake) Auto Oven Shut-Off Auto Self Clean Sabbath Mode Chef Connect Control Lock Capability Delay Bake Option (Time Bake) Delay Clean Option Digipad Numeric Entry Electronic Clock and Timer Front Controls In-Oven Broiling Temperature Probe Self-Clean Cool Down Time Display
Oven Cooking Modes	Baked Goods Convection Bake Convection Roast Frozen Pizza Multi Rack Frozen Pizza Single Rack (No Preheat) Frozen Snacks Multi Rack Frozen Snacks Single Rack (No Preheat) Proof Warming
Cooktop Burner Grate Features	Heavy-Cast Edge-to-Edge Grates
Cooktop Burner Grate Material	Cast Iron
Cleaning Time	Variable with Delay Clean Option
Self-Clean Oven Door Lock	Automatic
Oven Rack Features	3 Self-Clean Oven Racks 6 Rack Positions
Fuel Type	Natural Gas (factory set)
Ignition System	Electronic
Leveling System	4 Leveling Legs
Style	Commercial
Oven Interior	1 Oven Interior Light Black
Connected Capabilities	Amazon Alexa The Google Assistant IFTTT Nest Drop Innit DiGiorno

CAPACITY

Total Capacity (cubic feet)	5.6 cu ft
-----------------------------	-----------

Café™ 30" Slide-In Front Control Gas Convection Range

CGS700P4MW2 / CGS700P3MD1 / CGS700P2MS1

CAFÉ

DISTINCT BY DESIGN™

WEIGHTS & DIMENSIONS

Depth with Door Open	47-1/2 in
Approximate Shipping Weight	244 lb
Net Weight	224 lb
Height to Top of Rear Vent Trim	37-3/8 in
Overall Height	37-3/8 in
Height to Cooking Surface (in.)	36-1/4 +/- 1/4
Overall Width	29-7/8 in
Cabinet Width	30 in
Overall Depth	29-1/2 in
Depth Without Handle	26-7/8 in
Oven Interior Dimensions (W x H x D) (in.)	24 x 19-1/2 x 20-5/8

POWER / RATINGS

Convection Wattage	1200W
Top Burner BTU Rating - LP (000's BTUs)	(1) 18.0 Tri-Ring; (1) 15.0; (1) 12.0 (2) 9.5; (1) 5.0
Top Burner BTU Rating - Nat. Gas (000's BTUs)	(1) 21.0 Tri-Ring; (1) 15.0; (1) 12.0 (2) 9.5; (1) 5.0
Volts/Hertz/Amps	120v; 60Hz; 15A
Bake/Broiler BTU Rating - LP (000's BTUs)	16.0 Bake / 13.5 Broiler
Bake/Broiler BTU Rating - Nat. Gas (000's BTUs)	16.0 Bake / 16.5 Broiler

WARRANTY

Parts warranty	Limited 1-year entire appliance
Labor warranty	Limited 1-year entire appliance

ACCESSORIES

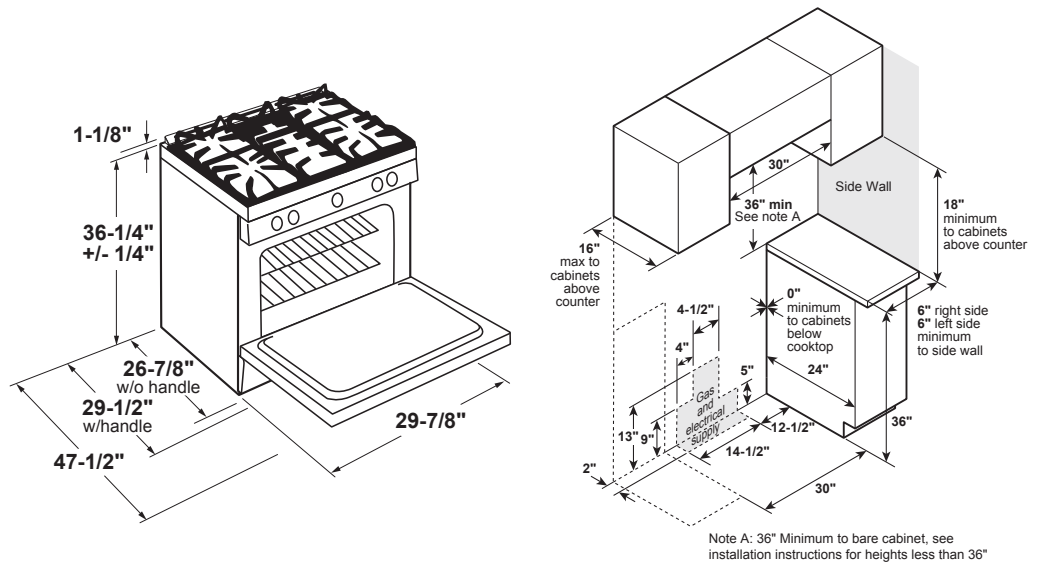
Grates	Included Center Grate
Grill	Optional Integrated Cast Iron JXCGRILL1
LP Conversion Kit	Included
Trim Kit	Optional JXFILLR1DD; JXFILLR1SS
Griddle	Included Integrated Cast Iron

DIMENSIONS AND INSTALLATION

Electrical Requirements: 120v, 60Hz, 15A

Installation information: Before installing, consult installation instructions packed with product for current dimensional data.

For all installations, install the required rear trim to back of range with 4 screws provided.



ADDITIONAL ACCESSORIES

