

60" PALMHURST

SHOWER TRAY WITH LINEAR DRAIN

SKU: 949088

FEATURES

Material: Acrylic
Shape: Rectangle
Assembly Required: No
Tray is Not Reversible
Integral Tile Flange
Textured Slip Resistant Surface



CONTENTS

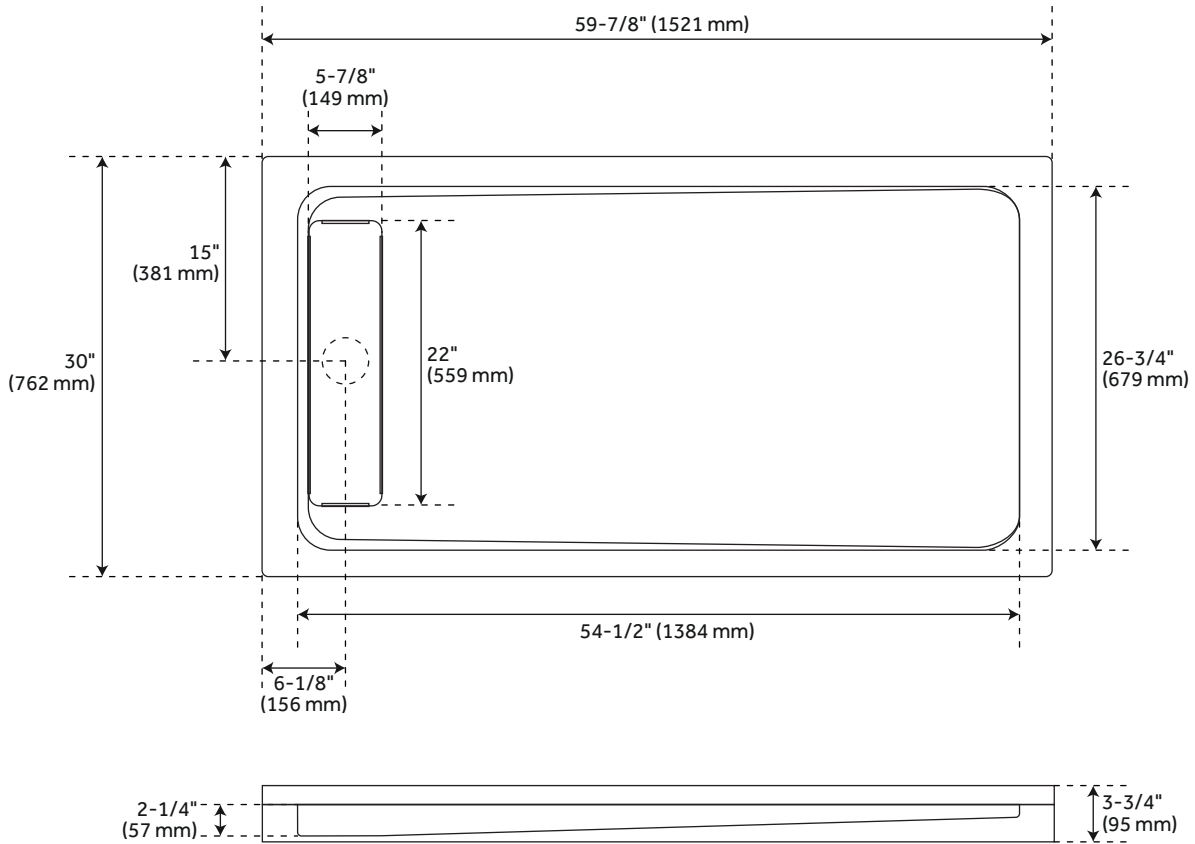
60" X 30" TRAY PAGE 2
60" X 32" TRAY PAGE 3

REVISED 02/16/2021

60" PALMHURST

SHOWER TRAY WITH LINEAR DRAIN - 60" X 30"

SKU: 949088



FEATURES

Length: 59-5/8"
Width: 29-3/4"
Height: 3-3/4"
Linear Drain Length: 21-1/2"
Linear Drain Width: 5-3/4"

CODES/STANDARDS

cUPC
CSA B45.5/IAPMO Z124
ASME A112.18.2/CSA B125.2
Massachusetts Accepted

PRODUCT IMAGE



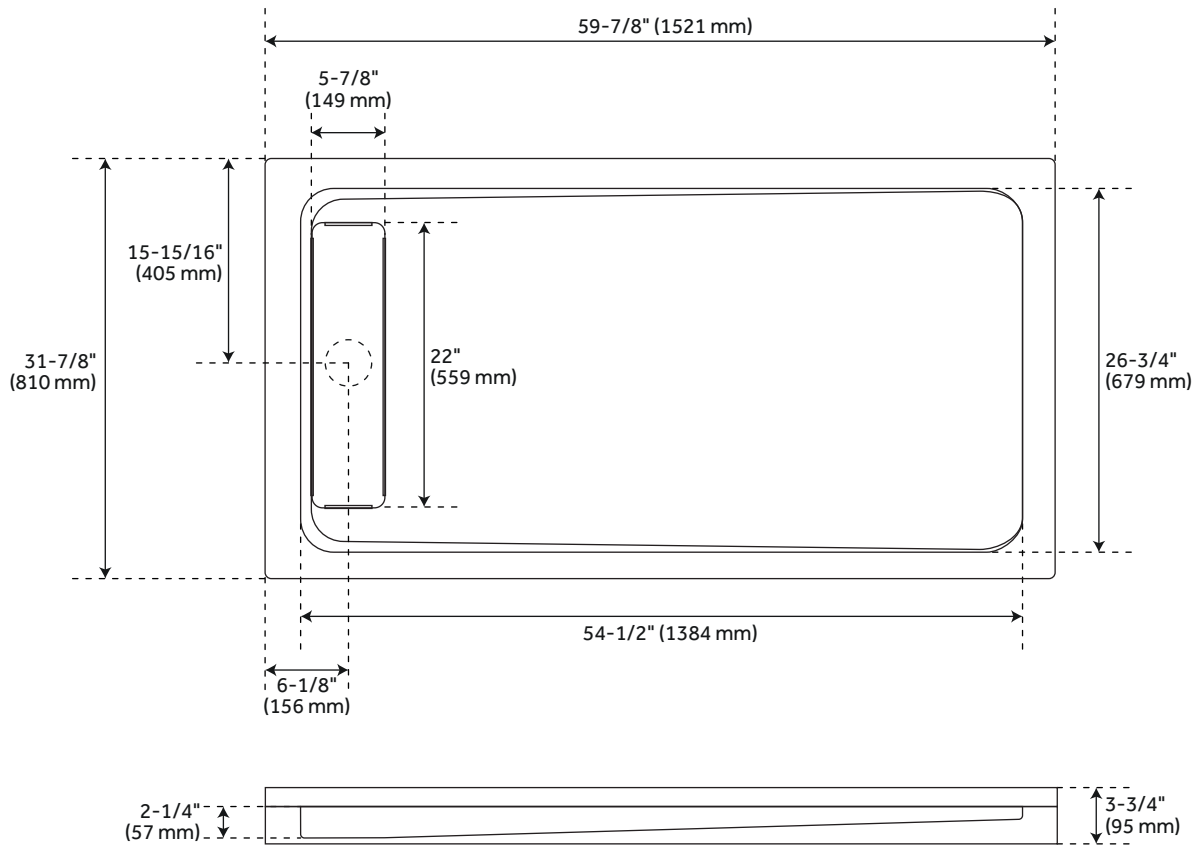
All dimensions and specifications are nominal and may vary. Use actual products for accuracy in critical situations.

PAGE 2
Code: SHSB6030LCD/SHSB6030RCD

60" PALMHURST

SHOWER TRAY WITH LINEAR DRAIN - 60" X 32"

SKU: 949088



FEATURES

Length: 59-5/8"
Width: 31-3/4"
Height: 3-3/4"
Linear Drain Length: 21-1/2"
Linear Drain Width: 5-3/4"

CODES/STANDARDS

cUPC
CSA B45.5/IAPMO Z124
ASME A112.18.2/CSA B125.2
Massachusetts Accepted

PRODUCT IMAGE



All dimensions and specifications are nominal and may vary. Use actual products for accuracy in critical situations.

PAGE 3
Code: SHSB6032LCD/SHSB6032RCD