

BRIZO®

WALL MOUNT POT FILLER

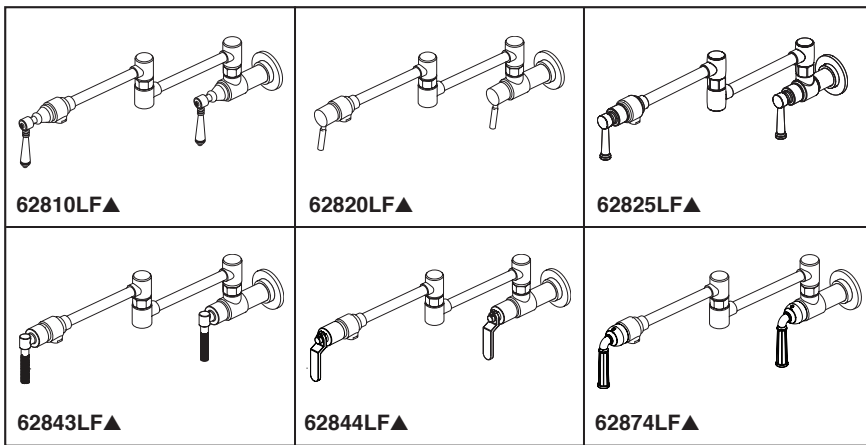
- Two Handle Wall Mount
- Single Hole Application
- Volume Controlled With Handles

STANDARD SPECIFICATIONS:

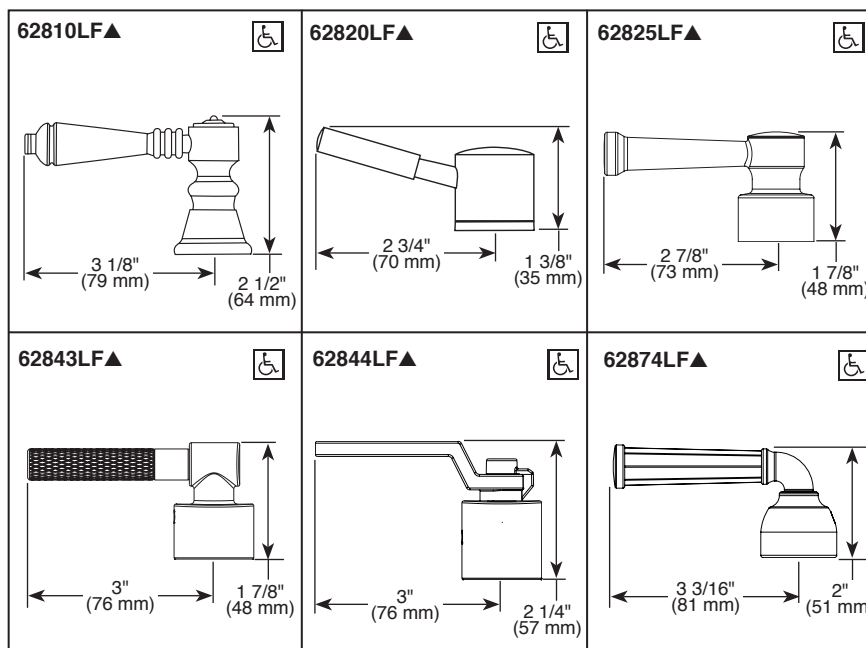
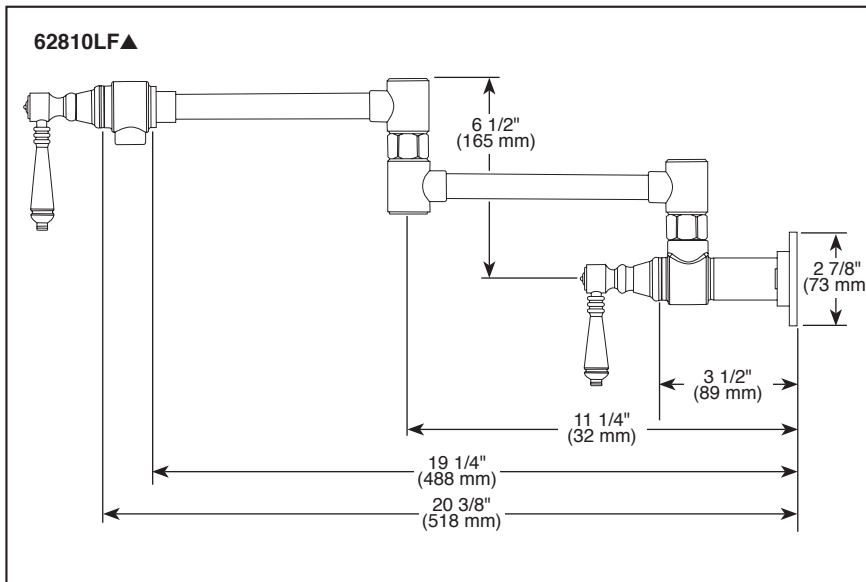
- Solid brass fabricated body
- 20" dual jointed swing spout
- Handle rotates 90° (1/4 turn)
- 1" recommended hole size
- Rough into 1/2" stub out
- 1/2" I.P.S. inlets
- Cold water connection only
- Washerless ceramic valving
- Notice: Shut off both handle cartridges when not in use or left unattended. Improper use or inadequate drainage below faucet may cause water damage.

WARRANTY

- Parts and Finish – Lifetime limited warranty; or for commercial purchasers, 10 years for multi-family residential (apartments and condominiums) and 5 years for all other commercial uses, in each case from the date of purchase.
- Electronic Parts and Batteries (if applicable) – 5 years from the date of purchase; or for commercial purchasers, 1 year from the date of purchase. No warranty is provided on batteries. No warranty is provided on batteries.




Submitted Model No.: _____
 Specific Features: _____



▲ Designate proper finish suffix



COMPLIES WITH:

- ASME A112.18.1 / CSA B125.1
-  Indicates compliance to ICC/ANSI A117.1

Brizo Kitchen & Bath Company reserves the right (1) to make changes in specifications and materials, and (2) to change or discontinue models, both without notice or obligation. Dimensions are for reference only. See current full-line price book or www.brizo.com for finish options and product availability.

BSP-K-62810LF Rev. H

Brizo Kitchen & Bath Company
 55 E. 111th Street, Indianapolis, Indiana 46280
 350 South Edgeware Road, St. Thomas, ON N5P 4L1
 © 2019 Brizo Kitchen & Bath Company