

Specifications

PFP80SUN SERIES

**PVC Union
SCH 80**



Product Features

- Working Non-Shock Pressure: 150 psi @ 73°F
- Media Temperature Range: 32°F – 140°F
- Fits SCH 40 and SCH 80 pipe
- PVC construction
- Solvent weld connection
- Certified to: NSF/ANSI 372, NSF/ANSI 14, NSF/ANSI/CAN 61

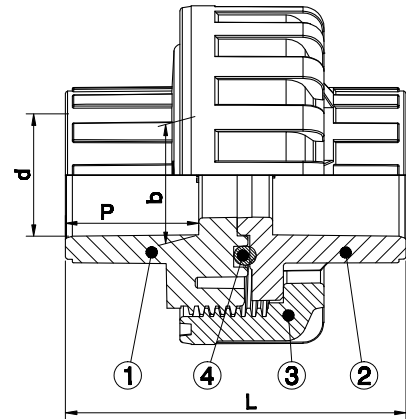


PFP80SUND

No.	Part	Material	Pieces
1	Body	UPVC	1
2	End Connector	UPVC	1
3	Union Nut	UPVC	1
4	O-Ring	EPDM	1

Dimensions (inches)

Model No.	Nom. Size	d	b	P	L
PFP80SUND	1/2	0.848	0.836	0.875	2.177
PFP80SUNF	3/4	1.058	1.046	1.000	2.386
PFP80SUNG	1	1.325	1.310	1.125	2.646
PFP80SUNH	1-1/4	1.670	1.655	1.250	2.976
PFP80SUNJ	1-1/2	1.912	1.894	1.375	3.228
PFP80SUNK	2	2.387	2.369	1.500	3.563
PFP80SUNL	2-1/2	2.889	2.868	1.750	4.323
PFP80SUNM	3	3.516	3.492	1.875	5.035



Warranty and Codes

This PROFLO product carries a 1-year limited warranty.

