

In-Wall Dehumidifier Surface Mount Kit

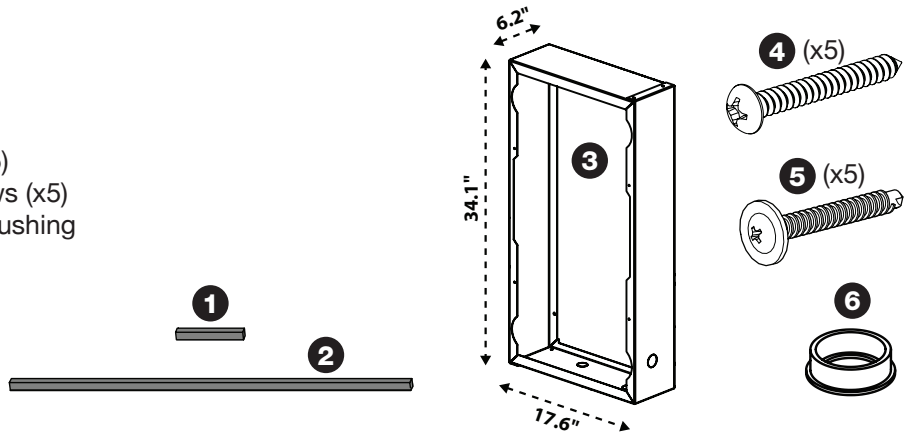
Part No. 4037766

Parts Included:

1. Foam Tape - 4" Long (x6)
2. Foam Tape - 24" Long (x2)
3. Surface Mount
4. Screw A - #10 Wood Screws (x5)
5. Screw B - #8 Sheet Metal Screws (x5)
6. Plastic Grommet / Drain Hose Bushing

Tools Required:

- Drill / Screwdriver
- Long Bit Extender (optional)

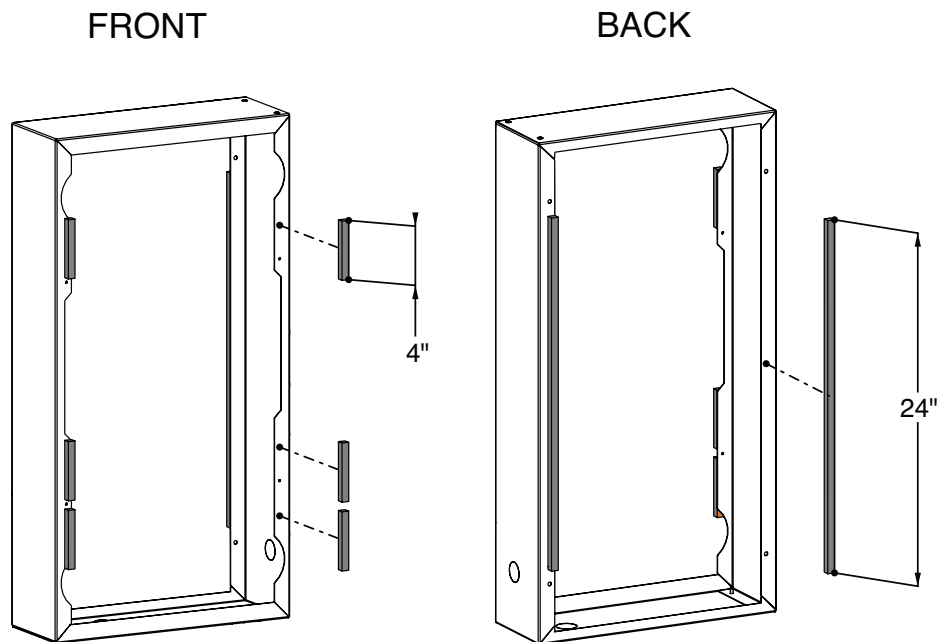


Step 1. Install Foam Tape to Surface Mount Kit

Identify the front side of the surface mount kit by locating the semi-circular cutouts along the inside edge.

Install 4" foam tape to the front as shown. Do not cover holes for fastening.

Install 24" foam tape to the back as shown. Do not cover holes for fastening.



CONTINUED



Therma-Stor

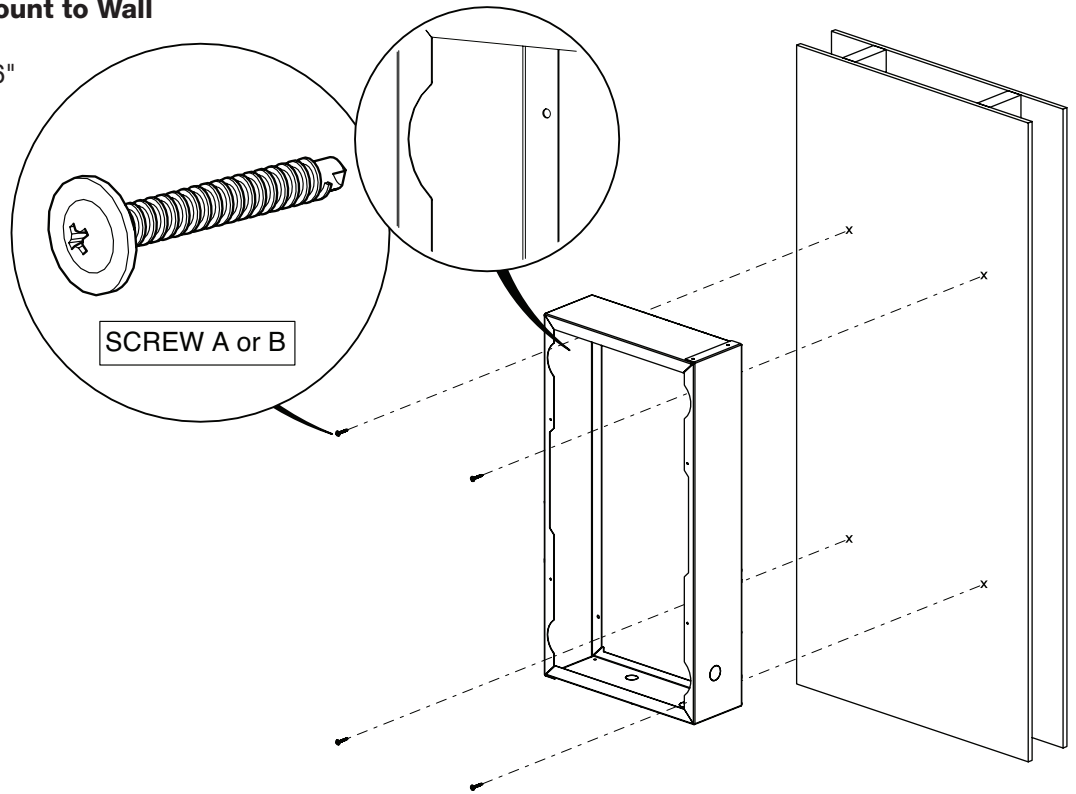
4201 Lien Rd Madison, WI 53704 • TOLL-FREE 1-800-533-7533 • www.thermastor.com • sales@thermastor.com

TS-1050 3/19 Rev E

Step 2. Attach Surface Mount to Wall

Locate studs inside the wall 16" apart. Place the surface mount on the wall and ensure it is level.

Locate the four holes on the surface mount and fasten to the wall with the appropriate screws based on the stud type. Screw A can be used for wood studs and Screw B can be used for metal studs.

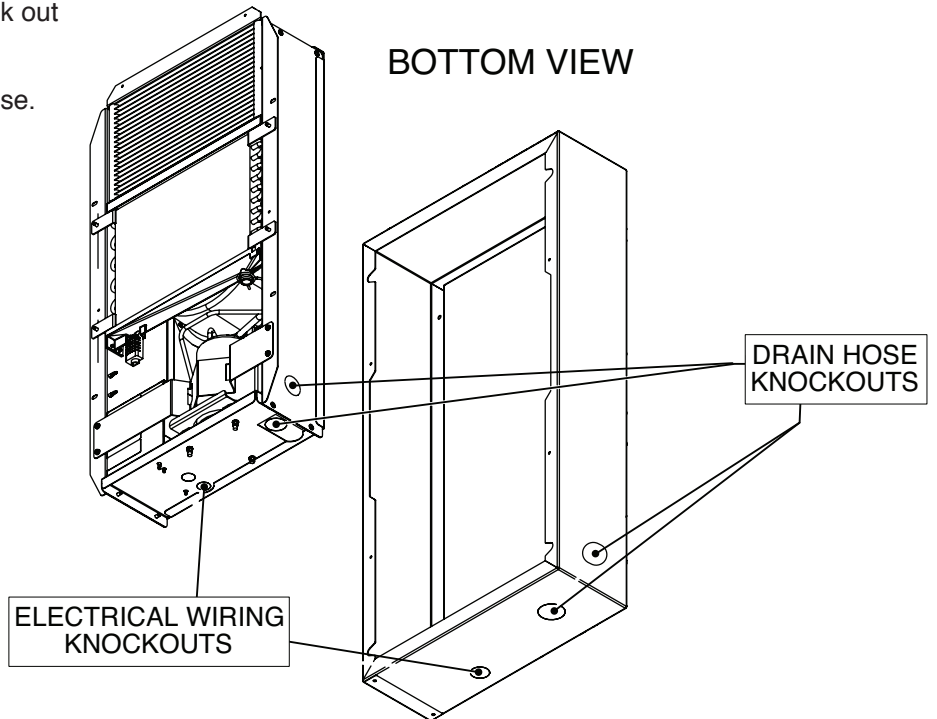
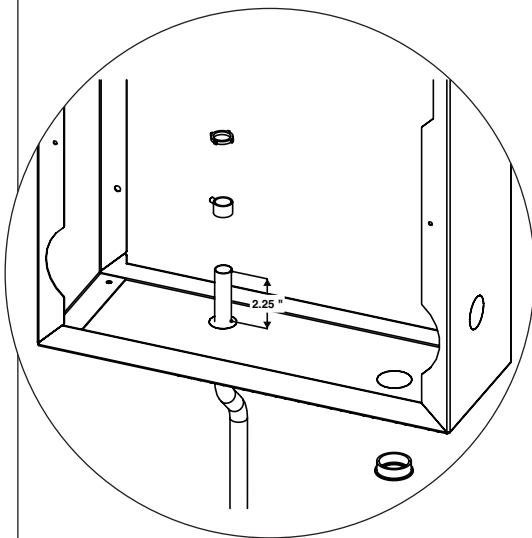


Step 3. Prepare Surface Mount for In-Wall Dehumidifier Installation

Punch the appropriate knock out holes for the drain hose and electrical wiring.

If using conduit, pass pipe through the knock out hole before installing the dehumidifier.

Install included plastic grommet for drain hose.



CONTINUED



Therma-Stor

4201 Lien Rd Madison, WI 53704 • TOLL-FREE 1-800-533-7533 • www.thermastor.com • sales@thermastor.com

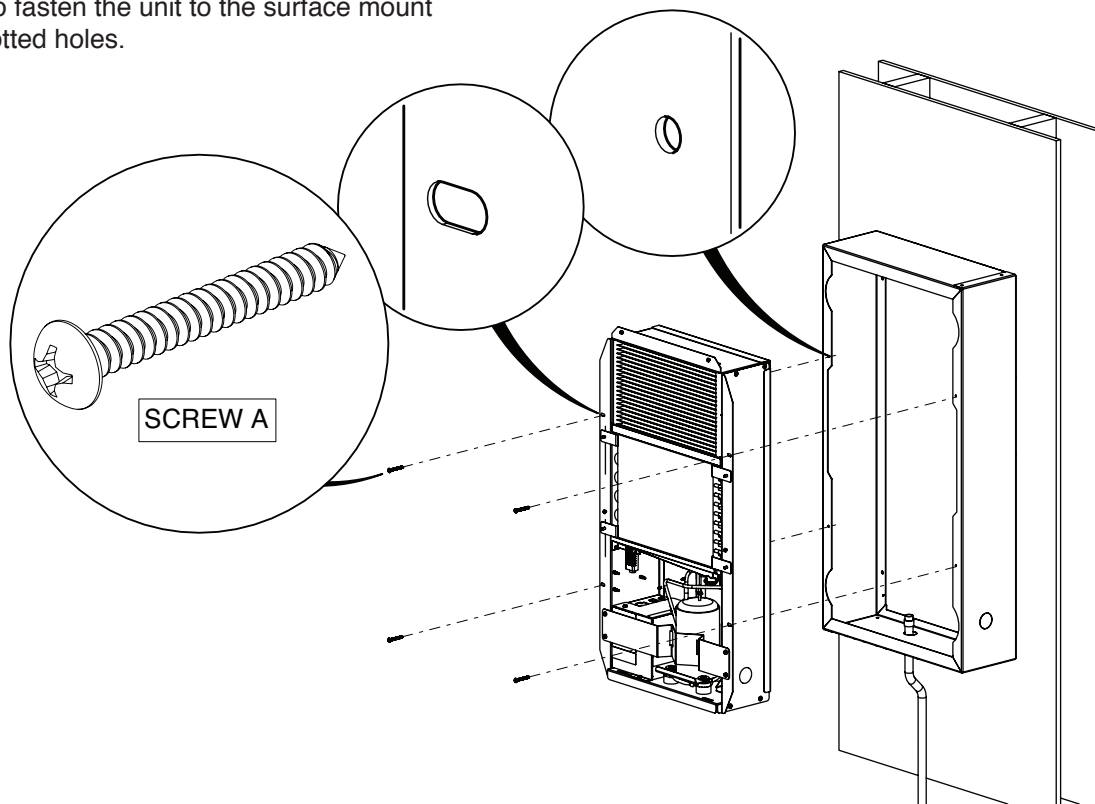
TS-1050 3/19 Rev E

Step 4. Install In-Wall Dehumidifier to Surface Mount

Lift and support the dehumidifier by the plastic drain pan below the evaporator coil and place inside of the surface mount. Two people are recommended for this step.

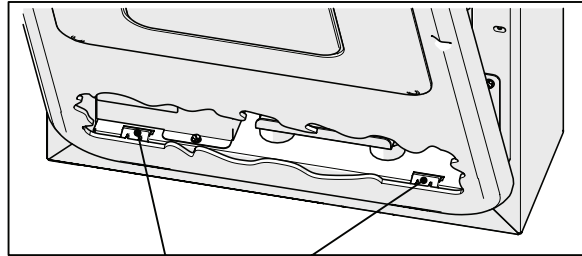
Route the drain hose and electrical wiring through the corresponding knock out holes of the surface mount and dehumidifier to connect.

Locate the four slotted holes on the dehumidifier. Use Screw A to fasten the unit to the surface mount through the slotted holes.

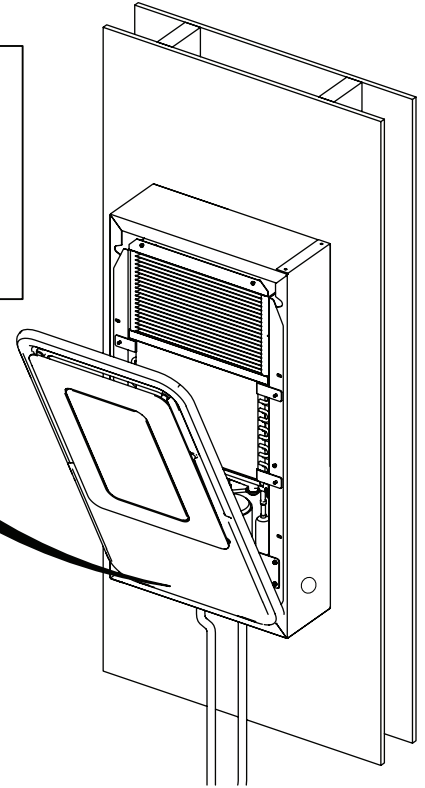


Step 5. Install Diffuser Cover

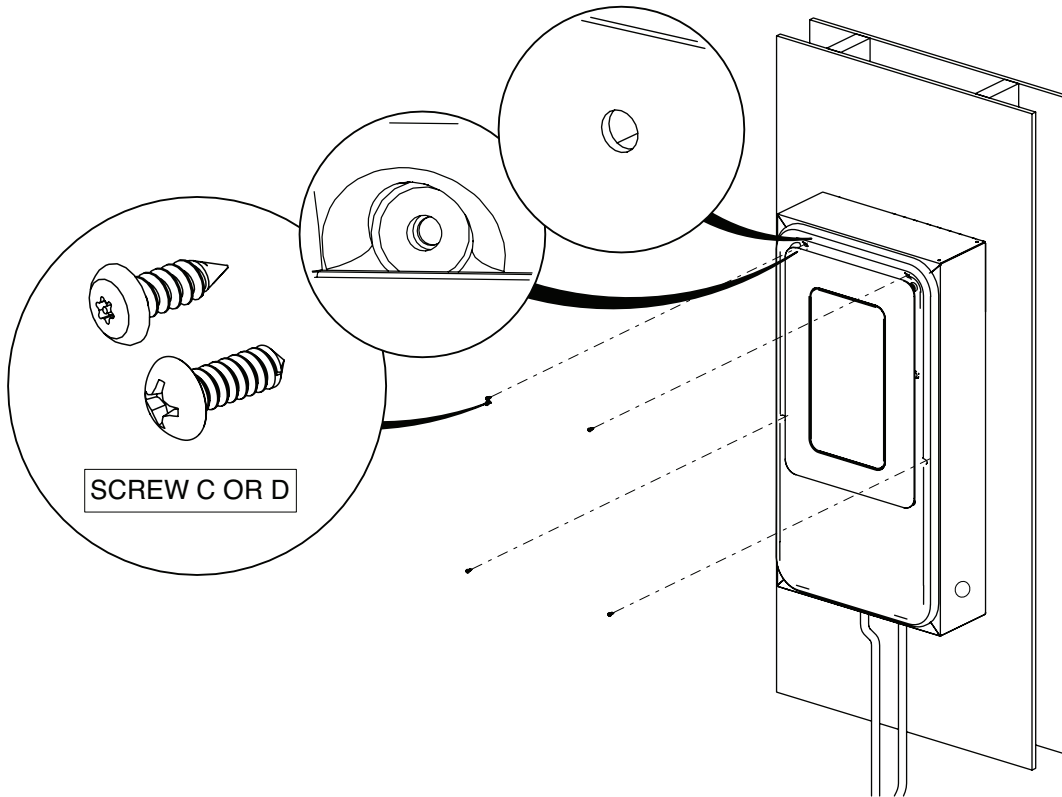
Place the hooks of the front diffuser cover into the slots at the base of the dehumidifier before fastening.



SECURE BOTH
HOOKING LOCATIONS



Locate the four holes on the diffuser cover and fasten to the dehumidifier using either Screw C (Tamper Resistant) or Screw D (Phillips Head) included with the unit. Using the tamper resistant screws requires the 1/4" Hex T-15 Torx Security Bit included with the unit.



SCREW C OR D



Therma-Stor

4201 Lien Rd Madison, WI 53704 • TOLL-FREE 1-800-533-7533 • www.thermastor.com • sales@thermastor.com

TS-1050 3/19 Rev E