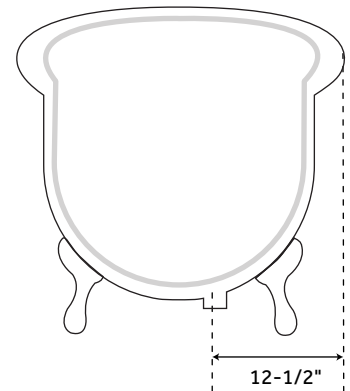
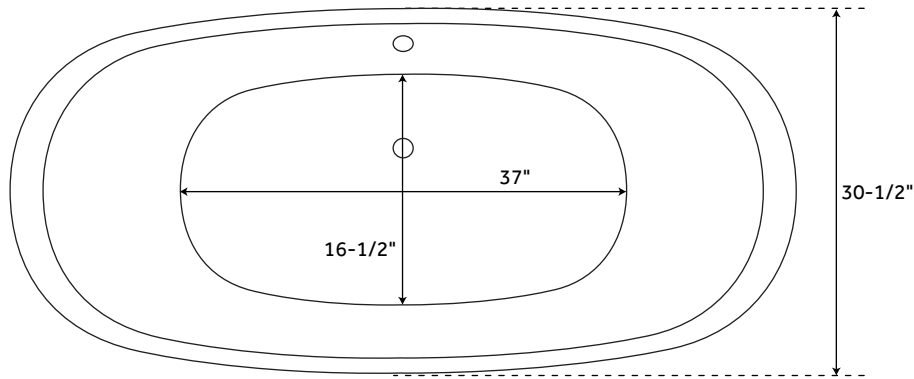
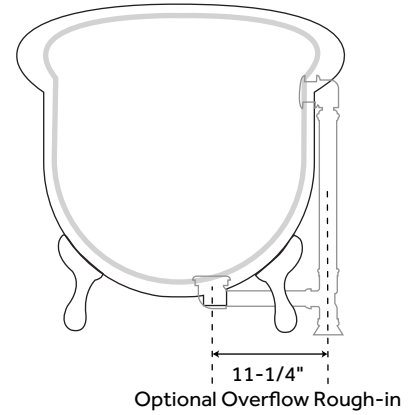
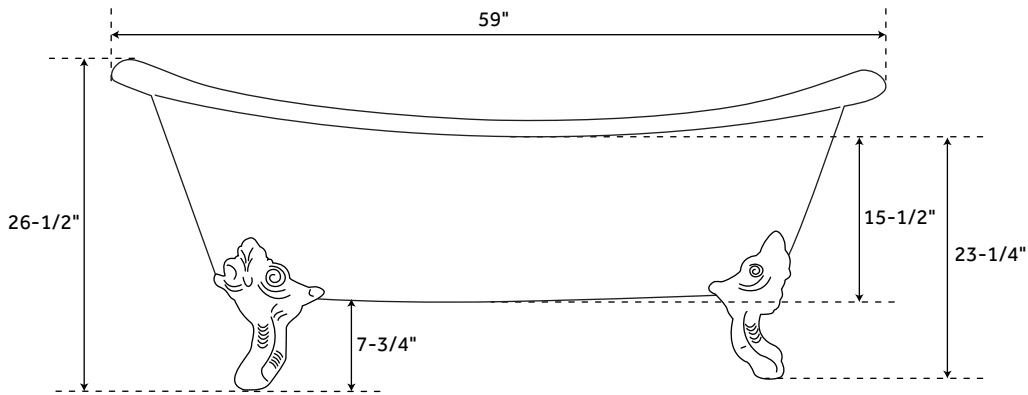


59" LENA

CAST IRON CLAWFOOT DOUBLE SLIPPER TUB WITH MONARCH IMPERIAL FEET

SKU: 917203



FEATURES

Design: Traditional
Product Finish: White
Features: Custom Painting Available
Overflow Hole: Yes
Shape: Oval
Material: Cast Iron
Exterior Treatment: Hand-Smoothed
Painted White
Interior Treatment: White Porcelain Enamel
Feet Type: Imperial
Feet Material: Cast Iron
Tap Deck: No
Drain Included: No
Drain Placement: Offset
Built-In Adjusters: Yes
Length: 59"
Width: 30-1/2"
Height: 26-1/2"
Water Capacity (Gallons): 34
Tub Weight Uncrated: 313 lbs.
Tub Weight Crated: 456 lbs.

CODES/STANDARDS

cUPC
ASME A112.19.1 / CSA B45.2



SIGNATURE HARDWARE LIFETIME WARRANTY

See website for warranty information



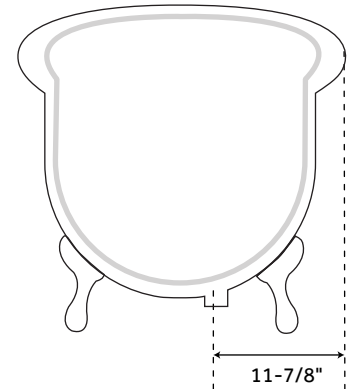
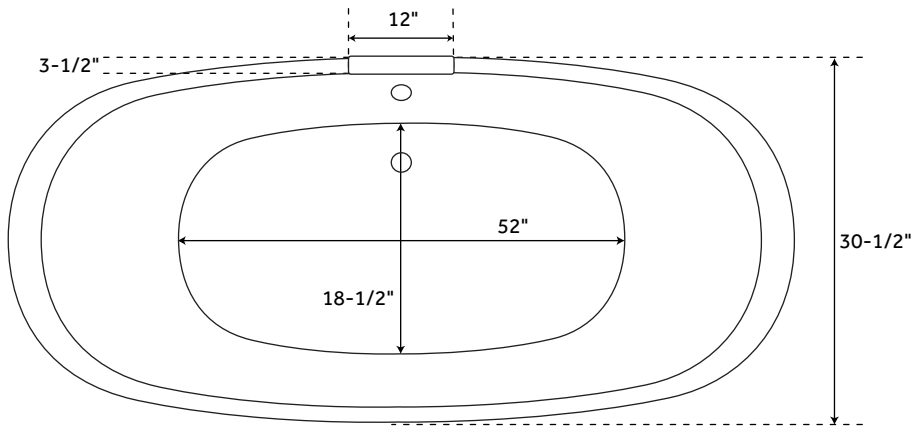
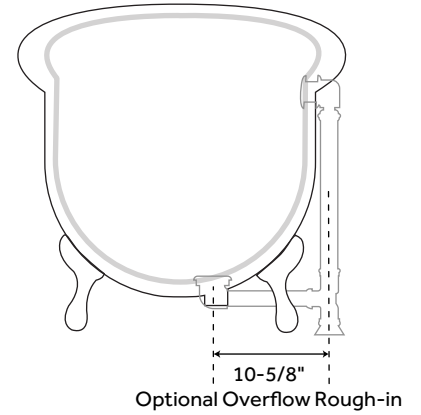
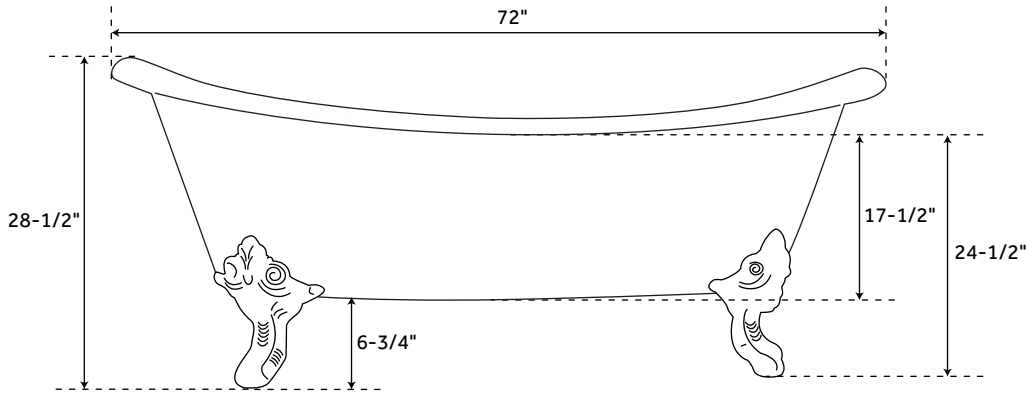
All measurements are approximate. Measurements may vary +/- 1/2".

REVISED 09/26/2018

72" LENA

CAST IRON CLAWFOOT DOUBLE SLIPPER TUB WITH MONARCH IMPERIAL FEET

SKU: 917203



FEATURES

Design: Traditional
Product Finish: White
Features: Custom Painting Available
Overflow Hole: Yes
Shape: Oval
Material: Cast Iron
Exterior Treatment: Hand-Smoothed
Painted White
Interior Treatment: White Porcelain Enamel
Feet Type: Imperial
Feet Material: Cast Iron
Tap Deck: No
Drain Included: No
Drain Placement: Offset
Built-In Adjusters: Yes
Length: 72"
Width: 30-1/2"
Height: 28-1/2"
Water Capacity (Gallons): 54
Tub Weight Uncrated: 411 lbs.
Tub Weight Crated: 520 lbs.

CODES/STANDARDS

cUPC
ASME A112.19.1 / CSA B45.2



SIGNATURE HARDWARE LIFETIME WARRANTY

See website for warranty information



All measurements are approximate. Measurements may vary +/- 1/2".

REVISED 12/05/2018