

**AXOR Uno**  
**Wall-Mounted Single-Handle Faucet Trim with Loop Handles, 1.2 GPM**  
 Finishes : **chrome**    Part no. : **38122001**



## Description

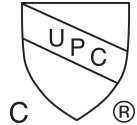
### Features

- Aerated spray
- Flow: 1.2 GPM (4.5 L/Min)
- Ceramic cartridge
- MASS/Massachusetts
- NSF61/IAPMO/N3016-(No NSF Logo!)
- DOE/FTC
- NSF372(LL)/Iapmo/6738-(No NSF Logo!)
- TECQ/Texas Registered
- ADA/IAPMO/3016
- CEC/California/Watersaving
- WaterSense/IAPMO/5921/Lavs

## Technology



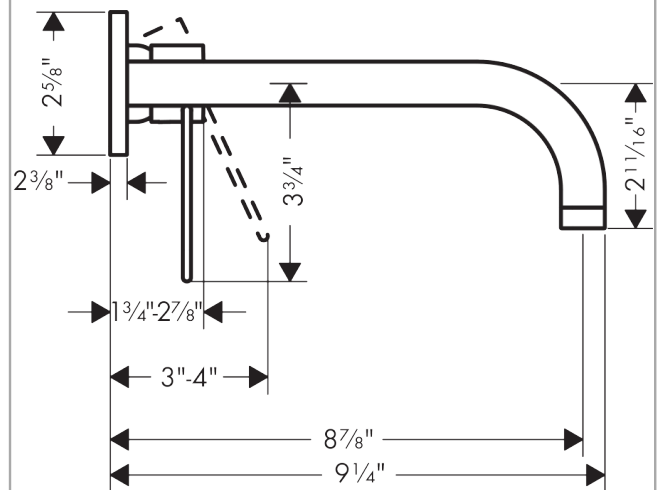
## Compliance



## Product image



## Scale drawing

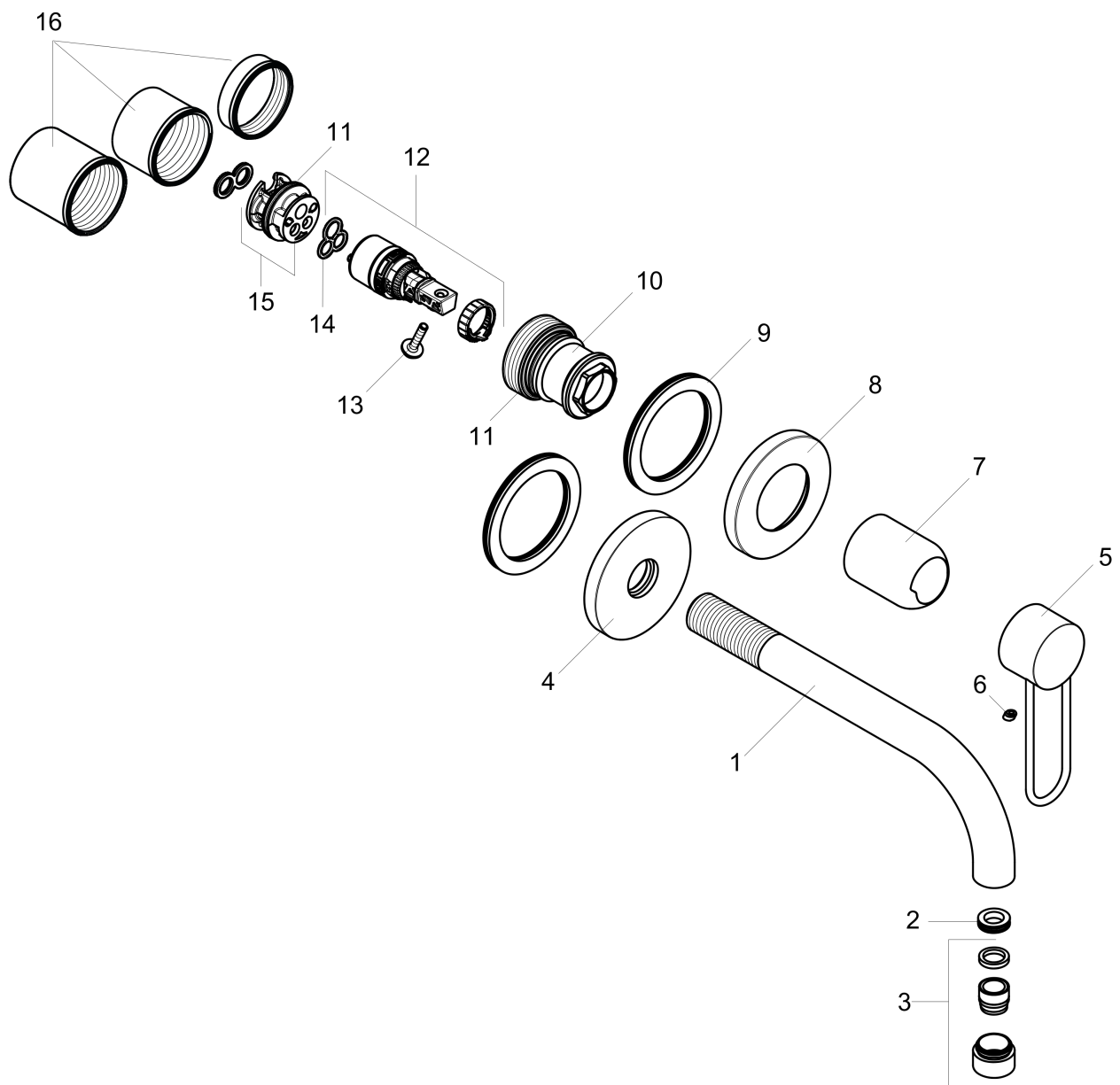


**AXOR Uno**  
**Wall-Mounted Single-Handle Faucet Trim with Loop Handles, 1.2 GPM**  
Finishes : **chrome**    Part no. : **38122001**



## Exploded drawing

Year of production: >07/18



**AXOR Uno**  
**Wall-Mounted Single-Handle Faucet Trim with Loop Handles, 1.2 GPM**  
 Finishes : **chrome**    Part no. : **38122001**



## Spare parts list

Year of production: >07/18

Pos.	Description	Part no.	PC	PU
1	spout 220 mm	97368000	0	1
2	O-ring 13x1,5	98475000	0	1
3	aerator M18x1 (4,5 l/min)	92884000	0	1
4	escutcheon for spout	96910000	0	1
5	handle	93054000	0	1
6	screw cover	96338000	0	1
7	sleeve	93053000	0	1
8	escutcheon Ø 68 mm	93052000	0	1
9	washer	97600000	0	1
10	nut	93141000	0	1
11	O-ring 26x2	98147000	0	1
12	cartridge, assy	95973001	0	1
13	locking screw for handle	95140000	0	1
14	seal	98865000	0	1
15	adapter for cartridge	95634000	0	1
16	fixing set	97971000	0	1
a	extension set 25 mm for 13622180	31971000	0	1