



Lead Free*

MODEL MVD-LF

Single Fixture Temperature Controller (34DLF Series)

Job Name:	Contractor:
Job Location:	P.O. Number:
Engineer:	Representative:
Tag:	Wholesale Distributor:

DESCRIPTION

The new Apollo® MVD-LF Mini Thermostatic mixing valves are designed for ASSE 1070 "Point of Use" temperature control applications with a single fixture using proven ASTM grade "Lead Free*" materials. These valves will hold a desired temperature within ± 2°F and will shut off in the event of hot or cold water failure. New features include a locking control knob and high temperature limit stop.

FEATURES

- Dezincification resistant **Lead Free*** Bronze body
- New Locking Control Knob
- Tamper Resistant Temperature Limit Stop
- Crush Proof Integral Check Valves
- Hot/Cold Water Failure Protection
- Single Outlet for Sensor Faucets
- Bypass Fitting Option for Dual Control Faucets
- Satin Chrome Plating Option
- 3/8" Compression Connections
- 100% Made in the USA

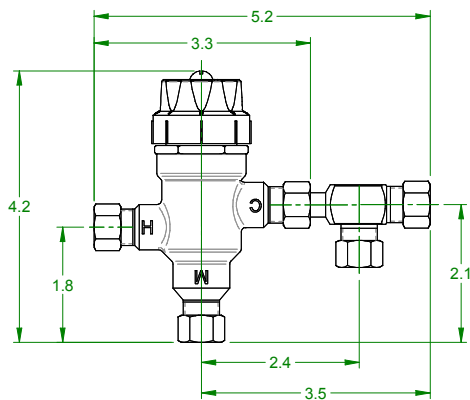
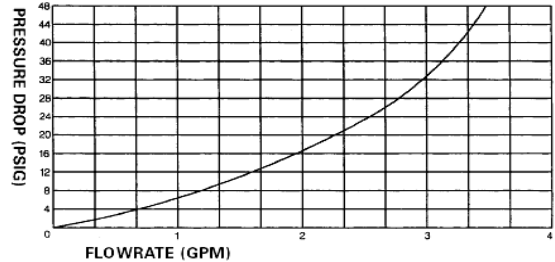
MATERIAL

Body: C89836 **Lead Free*** Bronze
 Shuttle: Modified PPO Noryl®
 O-ring: Chloramine Resistant EPDM
 Thermostat: Copper/Wax filled
 Spring: ASTM A313 Stainless Steel
 Handle: ABS Thermoplastic



PERFORMANCE RATING

Outlet Temperature Range (85°F-120°F)
 Maximum Pressure: 125 psig
 Maximum Inlet Temperature: 210°F
 Minimum Flow Rate: 0.5 GPM



OPTIONS**

- Satin Chrome Plated Finish
 - Double Outlet Cold Water Bypass
- ** Consult factory for availability of LF Model options

APPROVALS

- ASSE 1070 "Performance Requirements for Water Temperature Limiting Devices"
- CSA B125.3-05 "Plumbing Fittings"
- **Lead Free*** AB-1953 Certified



ORDER INFORMATION

Model	Series	Description	Weight
MVD-LF	34DLF30201	3/8" Single Out Bronze	0.82
MVDR-LF	34DLF30217	3/8" Single Out Chrome	0.82
MVDB-LF	34DLF302B1	3/8" Double Out Bronze	1.0
MVDBR-LF	34DLF302B17	3/8" Double Out Chrome	1.0

***LEAD FREE:** The wetted surfaces of this product shall contain no more than 0.25% lead by weighted average. Complies with CA AB 1953 and VT S.152. ANSI 3rd party certified & listed.

Conbraco Industries, Inc. 701 Matthews Mint Hill Rd. Matthews NC 28106 USA; www.apollovalves.com; 704-841-6000

This specification is provided for reference only. Conbraco reserves the right to change any portion of this specification without notice and without incurring obligation to make such changes to Conbraco products previously or subsequently sold.