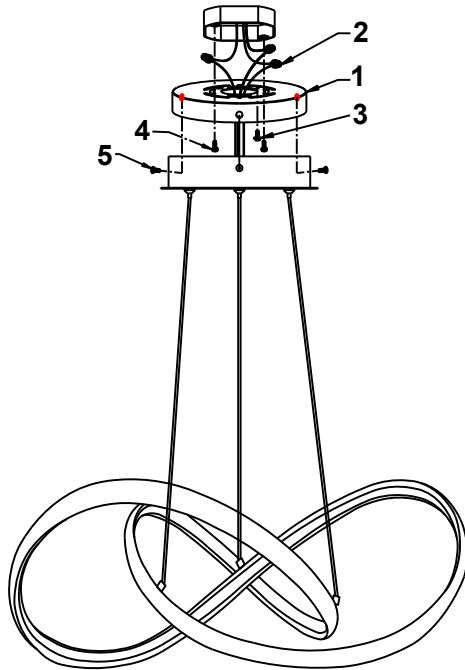
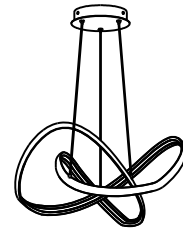


FL96030



No.	Part Name	Spanish	French	Part No.
1	Mounting plate (1pc)	Placa de montaje (1pc)	Plaque de montage (1pc)	OBPL1M4096030MH02
2	Wire connectors (3pcs)	Conectores de cable (3pcs)	Connecteurs de fils (3pcs)	
3	Ground screw (1pc)	Tornillo de tierra (1pc)	Vis de terre (1pc)	
4	Outlet box screws (2pcs)	Tornillos de la caja de salida (2 pcs)	Vis de boîte de sortie (2pcs)	
5	Screws (3pcs)	Empulgueras (3pcs)	Des vis (3pcs)	