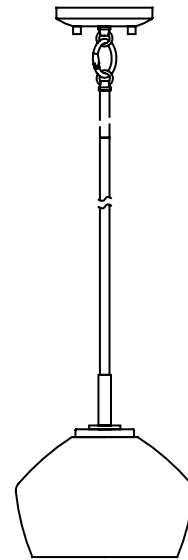
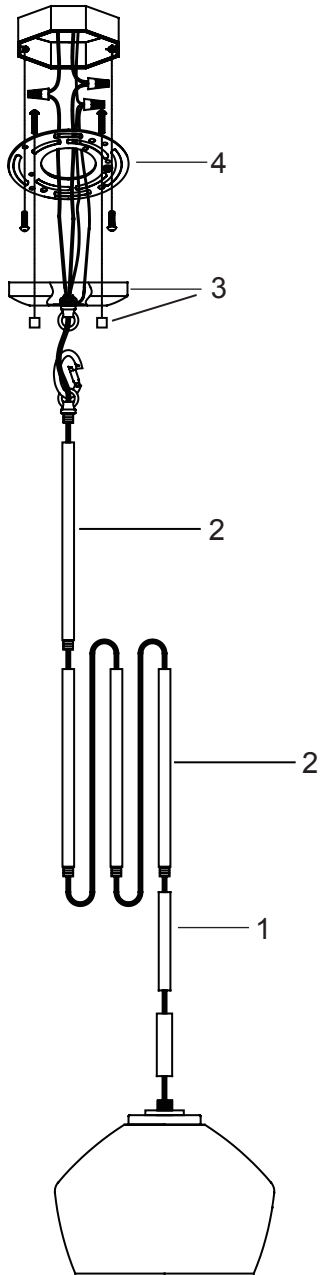


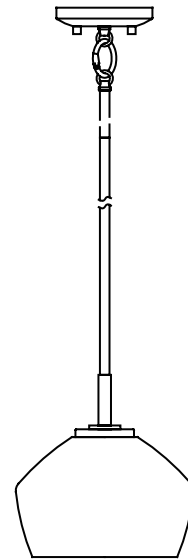
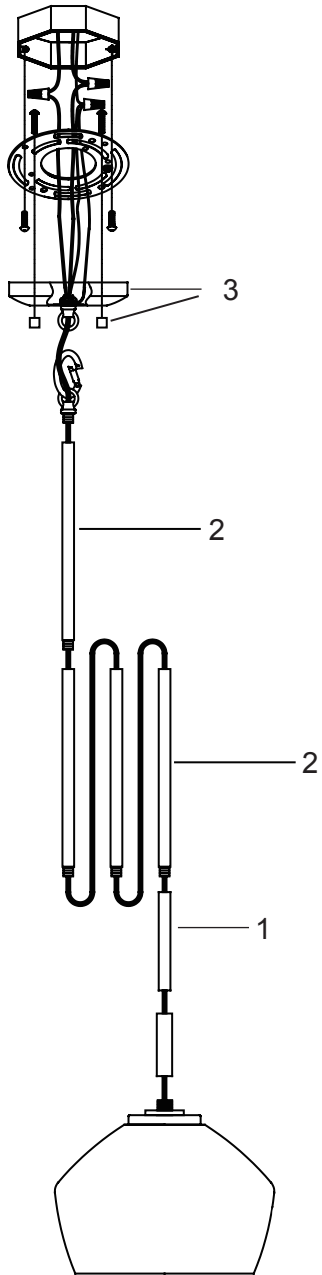
FL96011



Parts Breakdown

No.	Part Name	Spanish	French	Part No.
1	6" Rod	6" Varilla	6" Tige	OBPL4M6ROD613
2	12" Rod	12" Varilla	12" Tige	OBPL4M12ROD613
3	Canopy	Dosel	Auvent	OBPL9MCAN613
4	Mounting Plate	Placa de montaje	Plaque de montage	OBPL12MMP960

FL96012



Parts Breakdown

No.	Part Name	Spanish	French	Part No.
1	6" Rod	6" Varilla	6" Tige	OBPL4M6ROD66
2	12" Rod	12" Varilla	12' Tige	OBPL4M12ROD66
3	Canopy	Dosel	Auvent	OBPL9MCAN66