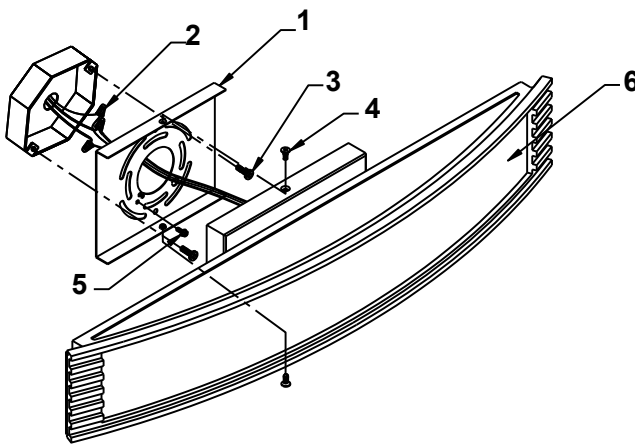
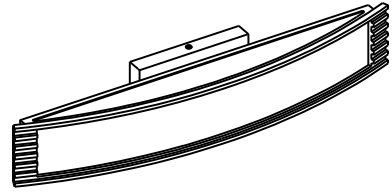


FL96832



No.	Part Name	Spanish	French	Part No.
1	Mounting plate (1pc)	Placa de montaje (1pc)	Plaque de montage (1pc)	OBPL1M4096832MH02
2	Wire connectors (3pcs)	Conectores de cable (3pcs)	Connecteurs de fils (3pcs)	
3	Outlet box screws (2pcs)	Tornillos de la caja de salida (2pcs)	Vis de boîte de sortie (2pcs)	
4	Screws (2pcs)	Empulgueras (2pcs)	Des vis (2pcs)	
5	Ground screw (1pc)	Tornillo de tierra (1pc)	Vis de terre (1pc)	
6	Acrylic shade	Sombra acrílica	Ombre acrylique	OBPL2MG96832AC