

PRODUCT SPECIFICATIONS

Ferguson Exclusive Elkay Quartz Luxe[®] 35-7/8" x 22-1/2" x 9-1/2"
Single Bowl Farmhouse Sink w/Drainboard+Perfect Drain. Proprietary
manufacturing process that combines natural quartz with high
performance UV-stable acrylic resins, along with a patented webbing
and embedded organic fibers that results in an impact resistant, non-
porous and heat, scratch, stain and fade resistant surface. Naturally
sound deadening and Rear Center drain placement.

Installation Type:	Farmhouse
Material:	Quartz
Special Features:	Perfect Drain
Finish:	Caviar (CA), Charcoal (CH), Chestnut (CN), Ricotta (RT)
Number of Bowls:	1
Sink Dimensions:	35-7/8" x 22-1/2" x 9-3/8"
Bowl 1 Dimensions:	32-1/2" x 15-13/16" x 9-3/8"
Drain Size:	3-5/8" (92mm)
Drain Location:	Rear Center
Minimum Cabinet Size:	36"
Mounting Hardware:	Yes

Perfect Drain: Seamlessly molded collar eliminates the gap between a
traditional drain and the sink for a sanitary and gap free installation. An
InSinkErator[®] garbage disposer can be installed on either sink bowl for
user convenience. **Patent Pending**



in sink erator[®]

Elkay[®] Perfect Drain[™] sinks are designed and approved for compatible disposers manufactured by InSinkErator[®] utilizing the Quick Lock[®] mounting configuration. Use of non-approved disposers may void Elkay warranty.


InSinkErator, Quick Lock and the mounting collar configuration are trademarks of Emerson Electric Co.



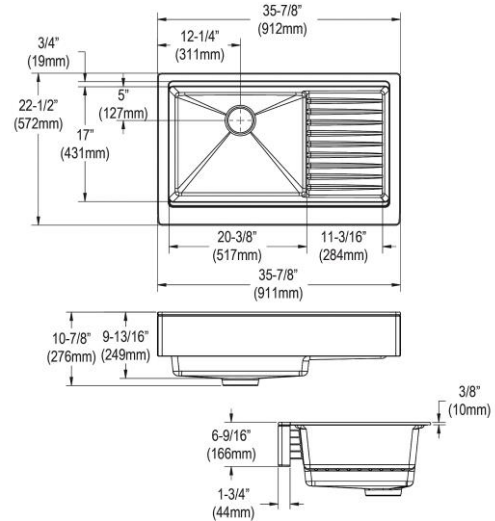
Included with Product: **One LKOBG1519SS grid and one LKPDQ1CR Perfect Drain and strainer.**

AMERICAN PRIDE. A LIFETIME TRADITION.
Like your family, the Elkay family has values and traditions that endure.
For almost a century, Elkay has been a family-owned and operated
company, providing thousands of jobs that support our families and
communities.

Product Compliance: CSA B45.5/IAPMO Z124
Accessory: ASME A112.18.2/CSA B125.2

 Sinks are listed by IAPMO[®] as meeting the applicable requirements of the Uniform Plumbing Code[®], International Plumbing Code[®], and c[®] National Plumbing Code of Canada.

- [Clean and Care Manual \(PDF\)](#)
- [Installation Instructions \(PDF\) - 100004012](#)
- [Installation Instructions \(PDF\) - 100003889](#)
- [Warranty \(PDF\)](#)



PART: _____ QTY: _____

PROJECT: _____

CONTACT: _____

DATE: _____

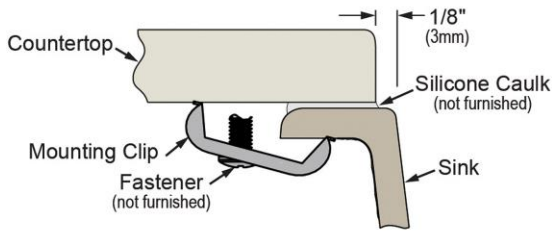
NOTES: _____

APPROVAL: _____

In keeping with our policy of continuing product improvement, Elkay reserves the right to change product specifications without notice. Please visit elkay.com for the most current version of Elkay product specification sheets. This specification describes an Elkay product with design, quality, and functional benefits to the user. When making a comparison of other producers' offerings, be certain these features are not overlooked.

Installation Profile:

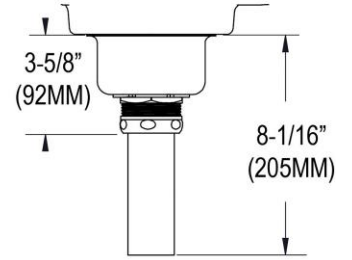
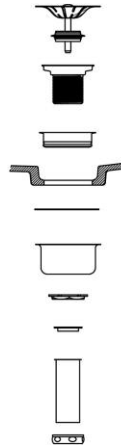
UNDERMOUNT - 1/8" REVEAL



Designed to affix to the underside of any solid surface countertop.

OPTIONAL ACCESSORIES

Cutting Board:	LKCB1219HW
-----------------------	------------



Sink with Drain Kit Installed

In keeping with our policy of continuing product improvement, Elkay reserves the right to change product specifications without notice. Please visit elkay.com for the most current version of Elkay product specification sheets. This specification describes an Elkay product with design, quality, and functional benefits to the user. When making a comparison of other producers' offerings, be certain these features are not overlooked.